

INSTALLATION INSTRUCTIONS FOR EZ-UP™ LP-6™ LADDER POST

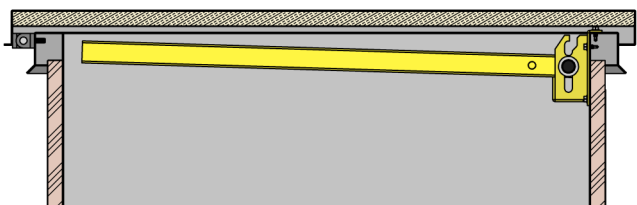
INSTALLATION: Mount the EZ-UP Ladder Post assembly to the roof hatch curb with the provided six (6) 3/8" - #14 self-tapping screws.

Safety: We recommend that installers use fall-prevention safety equipment while performing this work.

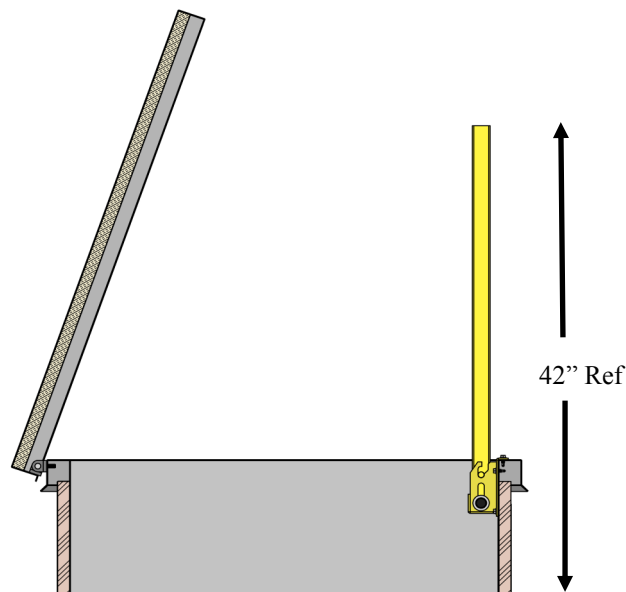
1. For the most weather-resistant installation, we recommend the application of an exterior silicone-based caulk product, between the bracket and roof hatch, prior to installation.
2. Position the EZ-UP assembly bracket on top of the roof hatch curb.
3. Conveniently locate the post near the right, exit side of the roof hatch, making sure not to interfere with the vertical fixed ladder or roof hatch parts such as springs, hinges or hold open arms.
4. Screw in the top two (2) holes first using the provided 3/8" nut driver, then finish installing the remaining 4 holes on the side.



Post Installs to Roof Hatch Curb with 6 Self-tapping Screws



Stowed Position



Extended Position

Post Automatically Locks Into Position



JL INDUSTRIES

ACTIVAR INC.
 CONSTRUCTION PRODUCTS GROUP

LP-6 AND EZ-UP ARE TRADEMARKS OF ACTIVAR

INSTALLATION INSTRUCTIONS FOR LP-6 SAFETY POST

JL Industries also provides roof hatch safety rails.

Contact your representative for more information

© Activar Construction Products Group 2016

HEADQUARTERS: 9702 NEWTON AV S, BLOOMINGTON, MN 55431

MANUFACTURING: BLOOMINGTON MN & COMMERCE, CA • WARE HOUSES: FT MYERS FL, ATLANTA GA, DALLAS TX, SEATTLE WA, LANCASTER PA, FARGO ND, OMAHA NE 8/3/2016 141-402