

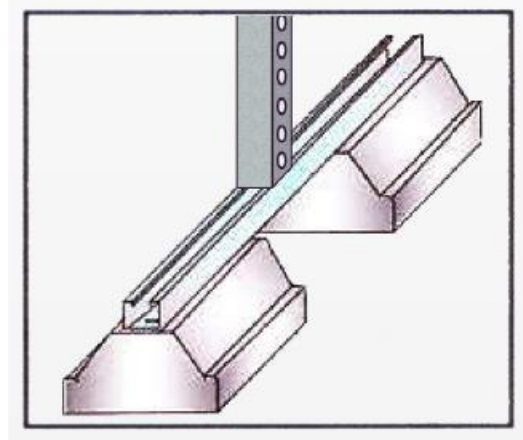
ROOFTOP KEYCURB™ SYSTEMS

INSTALLATION AND MAINTENANCE GUIDE

Our line of Roof Accessories is constructed for years of reliable use. These instructions are intended only to be a general guideline for installation. Follow local codes, roofing and sealing practices for the best weather-tight installations into the various roofing systems found in your area.

INSTALLATION:

- A. Field customize to fit existing condition or as specified herein.
- B. Set bases and support framing in locations specified or required herein as per drawings and site conditions but not to exceed 10 foot spacing. No Isolation pads are required under the support curbs. Sweep any loose gravel before setting supports, apply slip sheet or pad if required by roofing manufacturer.
- C. Adjust all frame structures to required height and weight, assemble framing, supports, and hangers to configuration indicated.
- D. For RKCMA2 AND RKCMA1 Models with Adjustable Vertical Channels Only: Install channel leg into frame base with hardware provided (FIG 1) . Add top frame and adjust to desired height to accommodate customer-supplied brackets.
- E. Adjust each required hanger, roller or clamp to its desired height, check each support for equal weight disbursement.



(FIG 1)

MAINTENANCE:

Normal maintenance is not required. However, semi-annual inspection by the owner is recommended. Inspection shall include checking pipe alignment, weight distribution and improper installation.

Need a pipe support that can be safely adhered to the roof?

Under normal conditions, it isn't necessary to adhere pipe supports to the roof; however, in special circumstances it may be required. KeyCurb bases can be adhered directly to the completed roof surface. The adhesive used depends upon the type of roofing system. All roofing adhesives are compatible with KeyCurbs. Consult with the roofing manufacturer for the recommended adhesive product.



JL INDUSTRIES

Distributed by
www.Ameraproducts.com
Phone: (800) 608-6568
Fax: (409) 840-5545
info@ameraproducts.com

KEYCURB OPERATION & MAINTENANCE

9702 Newton Av S. Bloomington, MN 55431 | Many Locations Nationwide

Page 1 of 1