

SLIDING PLEXIGLASS FRONT MODELS

1. If equipped with lock, unlock cabinet and slide plexiglass front out from the top.

2. SURFACE MOUNT: Place cabinet in position level to floor, and mark location of attachments on studding using 3/16" (5mm) holes as marking guides.

RECESSED: Frame in above, below and at both sides of the cabinet opening. **Note:** On load bearing walls, the studs must be doubled on either side of the cabinet tub. If a stud must be cut to install the cabinet, a load bearing header must be installed above the cabinet tub.

3. Remove cabinet and drill 5/32" (4mm) holes through studs at marked points. Cabinet must be attached by at least 4 points, 2 of which must be in framing members. Install plastic wall anchors in no more than 2 places if needed. For masonry walls, install expansion shields in wall at marked points.

4. Place cabinet in position and attach with Universal #10 x 2 1/2" (64mm) self-drilling screws.

5. Remove protective plastic from plexiglass and install decal if included.

6. Place fire extinguisher in cabinet

7. Insert plexiglass.

8. If provided, attach chain to hammer and attach to cabinet as indicated. Lock cabinet if lock provided.

HINGED DOOR MODELS - SURFACE-MOUNT

1. Remove all hardware and glazing, unlock cabinet if lock provided.

2. Place cabinet in position level to floor, and mark location of attachments on studding using 3/16" (5mm) holes as marking guides. Cabinet must be attached by at least 4 points, 2 of which must be in framing members.

3. Remove cabinet and drill 5/32" (4mm) holes through studs at marked points. Install plastic wall anchors in no more than 2 places if needed. For masonry walls, install expansion shields in wall at marked points.

4. Place cabinet in position and attach with Universal #10 x 2 1/2" (64mm) self-drilling screws, or for masonry, appropriate screws for expansion shield.

5. Remove protective plastic from plexiglass or glass and install decal if intended for glass. (Panorama Models Glazing is Pre-Installed)

6. Align glazing on inside of door, holding in place while installing glass mounting clips on inside of door. Do not over-tighten.

7. Install handle and roller catch or SAF-T-LOK™ in door.

8. Place fire extinguisher in cabinet

9. If provided, attach chain to hammer and attach to cabinet as indicated. Lock cabinet if lock provided.

HINGED DOOR MODELS - RECESSED

1. Remove all hardware and glazing, unlock cabinet if lock provided.

2. Frame in above, below and at both sides of the cabinet opening. **Note:** On load bearing walls, the studs must be doubled on either side of the cabinet tub. If a stud must be cut to install the cabinet, a load bearing header must be installed above the cabinet tub.

3. Place cabinet in position and mark location of attachments on studding using 3/16" (5mm) holes as marking guides. Cabinet must be attached by at least 4 points, 2 of which must be in framing members.

4. Remove cabinet and drill 5/32" (4mm) holes through studs at marked points. Install plastic wall anchors in no more than 2 places if needed. For masonry walls, install expansion shields in wall at marked points.

5. Place cabinet in position and attach with Universal #10 x 2 1/2" (64mm) self-drilling screws.

6. Check cabinet door assembly for freedom of movement. If it binds, shim as necessary.

7. Remove protective plastic from plexiglass or glass and install decal if intended for glass. (Panorama Models Glazing is Pre-Installed)

8. Align glazing on inside of door, holding in place while installing glass mounting clips on inside of door. Do not over-tighten.

9. Install handle and roller catch or SAF-T-LOK™ in door.

10. Place fire extinguisher in cabinet. If provided, attach chain to hammer and attach to cabinet as indicated. Lock cabinet if lock provided.



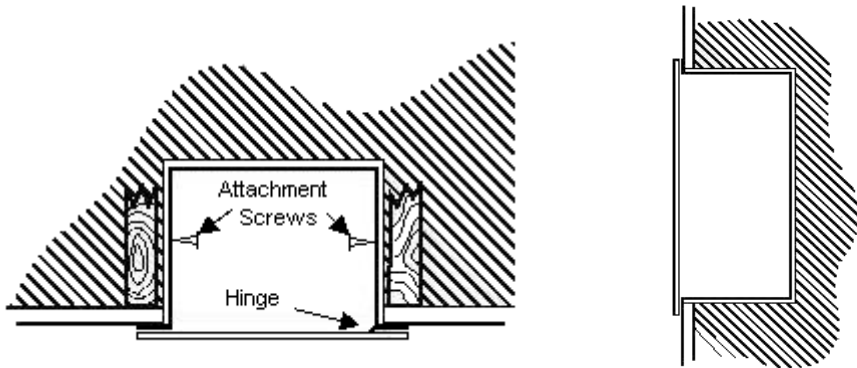
JL INDUSTRIES

ACTIVAR
INC.
Construction Products Group

INSTALLATION - NON FIRE-RATED FIRE EXTINGUISHER CABINET
SEE PAGE 2 FOR TRIMLESS CABINET INSTRUCTIONS

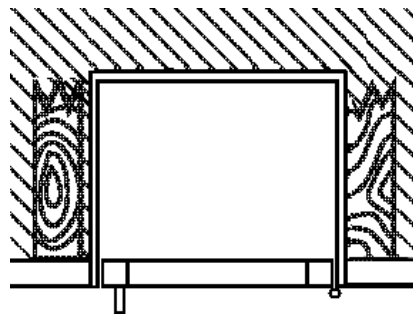


HINGED DOOR MODELS - EMBASSY FULLY RECESSED

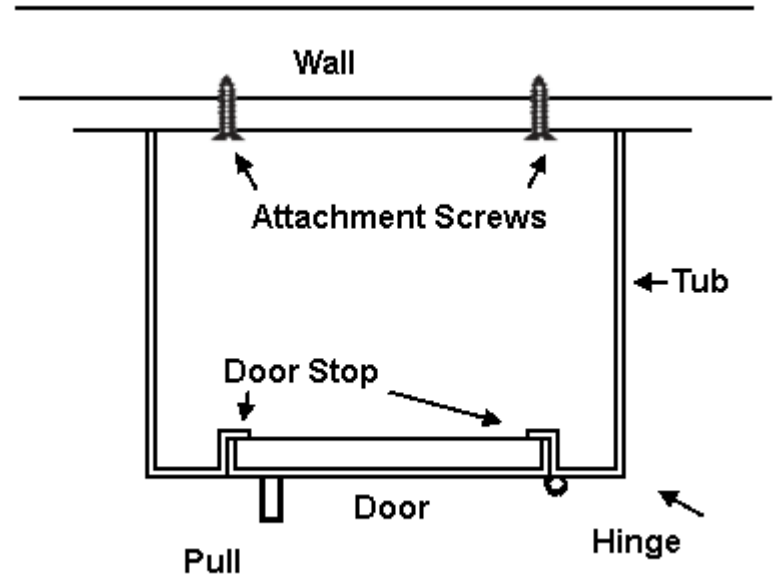


HINGED DOOR MODELS - RECESSED, TRIMLESS

1. Remove all hardware and glazing, unlock cabinet if lock provided.
2. Frame in above, below and at both sides of the cabinet opening. **Note:** On load bearing walls, the studs must be doubled on either side of the cabinet tub. If a stud must be cut to install the cabinet, a load bearing header must be installed above the cabinet tub.
3. Since there is no trim on this cabinet, make sure that the edges of wallboard are cleanly cut to minimize opening around cabinet.
4. Place cabinet in position and mark location of attachments on studding using 3/16" (5mm) holes as marking guides.
5. Remove cabinet and drill 5/32" (4mm) holes through studs at marked points. Cabinet must be attached by at least 4 points, 2 of which must be in framing members. Install plastic wall anchors in no more than 2 places if needed. For masonry walls, install expansion shields in wall at marked points
6. Place cabinet in position and attach with Universal #10 x 2 1/2" (64mm) self-drilling screws. On the lock side of the opening, make sure that cabinet wall does not flex by attaching directly to stud or shimming so that cabinet wall cannot move. Check the door to make sure that it does not bind, and shim if necessary.
7. Fill gap between cabinet and wallboard with caulking or use a product such as Phillips gripSTIK® to create a finished edge. Finish wallboard with compound as needed.
8. Remove protective plastic from plexiglass or glass and install decal if intended for glass.
9. Align glazing on inside of door, holding in place while installing glass mounting clips on inside of door. Do not over-tighten.
10. Install handle and roller catch or SAF-T-LOK™ in door. Adjust position of roller catch so that side wall does not deflect when closing.
11. Place fire extinguisher in cabinet. Lock cabinet if lock provided.



HINGED DOOR MODELS - SURFACE-MOUNTED



HINGED DOOR MODELS - RECESSED

