

Crownline Cabinets Provide A Wide Selection of Door Styles, Glazing and Sizes. These Durable Cabinets are Designed to Industry Standards for Fire Department Valves, Fire Hose Rack Units and Extinguishers.

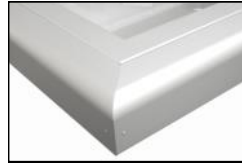
Door & Trim: Clear anodized aluminum. 1-3/4" Trim on face and door. These flush cabinet doors are mounted in a 5/8" door stop, are attached by a continuous hinge and are equipped with zinc-plated handle and roller catch for all non-locking doors. Theft-deterrent SAF-T-LOK™ also available.

Trim Style and Depth: 1-3/4" face trim on frame and 1-1/4" trim on door. *Recessed* - 3/8" flat trim. *Semi-recessed* - 1-1/4" Square Edge or 2-1/2" Rolled Edge. Rolled edge models are constructed of mechanically-joined extrusions (see photo). See separate submittal for trimless.

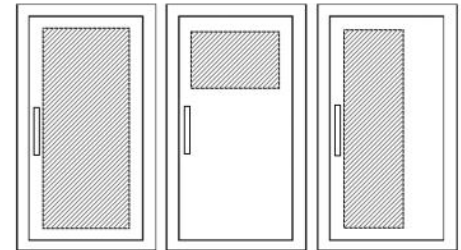
Tub: CRS, white powder-coat finish standard.

Knockouts: Knockouts are not provided on Fire-Rated Cabinets. Instructions for Knockouts in the field are provided and must be strictly adhered to, to maintain fire rating.

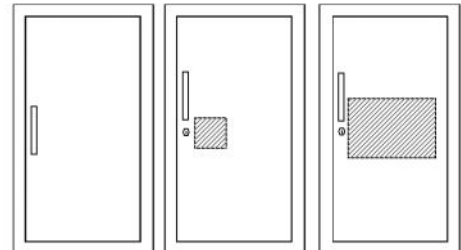
Special Features: Models 8025, 8026 and 8027 have a shelf 12" from the bottom of the cabinet and are designed to hold a fire extinguisher plus FD valve or other accessory. Those models can also be ordered without shelf to allow for lower mounting height of valve piping to meet NFPA14.



2-1/2" Rolled Edge



F - Full glass with pull
G - Full glass with pull handle and Saf-T-Lok (Not Shown)
D - Horizontal duo panel with pull
E - Horizontal duo panel with pull and Saf-T-Lok. (Not Shown)
V - Vertical duo panel with pull
W - Vertical duo panel with pull and Saf-T-Lok. (Not Shown)



S21 - Solid with pull
L22 - Solid with pull and Saf-T-Lok
L24 - Solid with cylinder key lock/no pull (L22,24 not shown)
B10 - Acrylic view window with pull, and Saf-T-Lok
A - Center duo panel with pull and Saf-T-Lok

Fire Rating: Fire-FX2™ cabinets are UL listed and labeled as an approved membrane penetration firestop system for up to 2 hours in accordance with UL 1479 (ASTM-E814) and CAN/ULC-S115, when properly installed in a wall assembly according to installation instructions.

STEP 1: SELECT MODEL NUMBER, TRIM & QUANTITY (Refer to Chart on Page 2)

STEP 2: SELECT DOOR STYLE

(Check one box below)

- | | |
|---|--|
| <input type="checkbox"/> F Full Glazing | <input type="checkbox"/> L22 Solid with SAF-T-LOK |
| <input type="checkbox"/> G Full Glazing with SAF-T-LOK | <input type="checkbox"/> V Vertical Duo |
| <input type="checkbox"/> D Horizontal Duo Panel | <input type="checkbox"/> W Vertical Duo with SAF-T-LOK |
| <input type="checkbox"/> E Horizontal Duo Panel with SAF-T-LOK | <input type="checkbox"/> B10 Acrylic View Window with SAF-T-LOK |
| <input type="checkbox"/> A Center Duo Panel with SAF-T-LOK | <input type="checkbox"/> L24 Solid with Cylinder Lock & No Handle |
| <input type="checkbox"/> S21 Solid Door | View Door Styles Online |

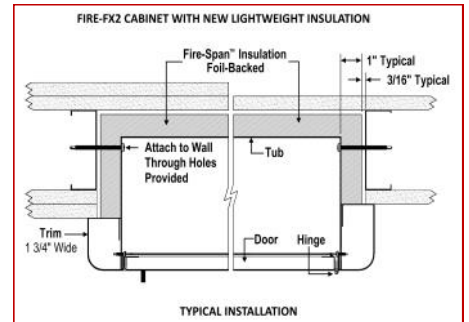
STEP 3: SELECT DOOR GLAZING

(Check one box below)

- | | |
|--|---|
| <input type="checkbox"/> 10 Clear Acrylic | <input type="checkbox"/> 16 Gray Acrylic |
| <input type="checkbox"/> 13 Clear Wire Glass with Safety Film | <input type="checkbox"/> 17 Clear Tempered Glass |
| <input type="checkbox"/> 15 Bronze Acrylic | <input type="checkbox"/> 18 Laminated Safety Glass |

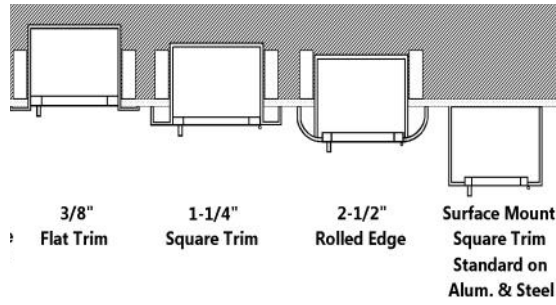
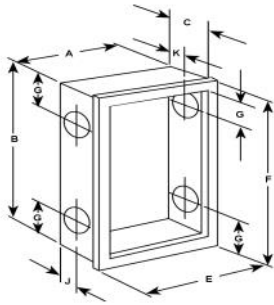
STEP 4: SELECT OPTIONAL FEATURES AT ADDITIONAL COST

- | | | |
|---|---|--|
| <input type="checkbox"/> Dark Bronze Anodized Door & Trim (Pull will be painted to match) | <input type="checkbox"/> FDVO Decal Fire Department Valve Octagonal 6 x 6" | <input type="checkbox"/> LDCVBF Black Vertical FE Letters |
| <input type="checkbox"/> Optional Tub Color: ___ Black ___ Red | <input type="checkbox"/> 1403 Decal Fire Hose Black/Red Horiz. Letters 4 x 9 | <input type="checkbox"/> LDCVRF Red Vertical FE Letters |
| <input type="checkbox"/> CA Commander Alarm | <input type="checkbox"/> LDCHRFDV-R Diecut Fire Dept. Valve Horiz. 10-1/4 x 4-3/8 | <input type="checkbox"/> LDCVWF White Vertical FE Letters |
| <input type="checkbox"/> BA Brigadier Alarm | <input type="checkbox"/> LDCVRFDV Diecut Fire Dept Valve Vert. 3/4" x 21 1/2" | <input type="checkbox"/> LDCHBF Black Horizontal FE Letters |
| <input type="checkbox"/> Futura "Fire" Handle ___ Mill ___ Red ___ White | <input type="checkbox"/> LDCVRFDV-R Diecut Fire Dept Valve Vert. Rever. 3/4" x 21 1/2" | <input type="checkbox"/> LDCHRF Red Horizontal FE Letters |
| <input type="checkbox"/> PRH Recessed Pull Handle | <input type="checkbox"/> LDCHRFDV Diecut Fire Department Valve Ascend. 1" x 17" | <input type="checkbox"/> LDCHWF White Horizontal FE Letters |
| <input type="checkbox"/> PUCH Polished Chrome Handle | <input type="checkbox"/> LDCVRFSCV-R Diecut Fire Sprinkler Cont. Valve Vert 3/4" x 18" | <input type="checkbox"/> Etched Glass/Engraved Metal Lettering |
| <input type="checkbox"/> No Shelf for 8000 Series | Fire Hose Racks - See separate submittal | (Check Box & Attach Separate Submittal) |



It is the responsibility of the customer to communicate specifications and product performance requirements that are needed for their application. This document is intended to convey potential product configurations and offerings. It is not to be used to imply or represent a specification or rating, of finished products shipped. Detailed, specific submittals can be created upon request. It is the responsibility of the customer to specify product accordingly to comply with local laws, codes, and ordinances.

<p>JL INDUSTRIES Distributed by www.Ameraproducts.com Phone: (800) 608-6568 Fax: (409) 840-5545 info@ameraproducts.com</p> <p>©2023 ACTIVAR CONSTRUCTION PRODUCTS GROUP, INC.</p>	Distributor:	Quantity:
	Contractor:	Approved By:
	Model #:	Architect:
	Project:	Date:



Distributed by
www.Ameraproducts.com
 Phone: (800) 608-6568
 Fax: (409) 840-5545
 info@ameraproducts.com



TRIM & DOOR MATERIAL & SERIES		TUB I.D. W x H x D in Inches			FRAME O.D.		RECESSED WALL OPENING			RECOMMENDED HOSE RACK, FIRE DEPT. VALVES & EXTINGUISHERS	
QTY	#	TRIM STYLE	A	B	C	E	F	Width	Height		Depth
Cabinets with Hose Rack & Extinguisher or FD Valve— ADA Cabinets Indicated in Blue & ●											
	6025	FLAT TRIM 3/8" ●	24	30	6	27 3/8	33 3/8	26 5/16	32 5/16	6 15/16	HOSE RACK: 1- 1/2" x 1-1/2" Hose Rack Unit with 50 or 75' Hose (HRA:050B, 050CH, 075B, 075CH) & Cosmic 2½ or Galaxy 2½- 5 lb Extinguisher
	6026	1-1/4" SQUARE EDGE ●	24	30	6	27 3/8	33 3/8	26 5/16	32 5/16	5 15/16	
	6027	2-1/2" ROLLED EDGE ●	24	30	6	27 3/8	33 3/8	26 5/16	32 5/16	5 5/16	
	6225	FLAT TRIM 3/8" ●	24	34 3/4	6	27 3/8	38 1/8	26 5/16	37 1/16	6 15/16	HOSE RACK: 1- 1/2" x 1-1/2" Hose Rack Unit; 100' Hose (HRA 100B, HRA100CH) & Cosmic 2½ or Galaxy 2½- 5 lb Extinguisher
	6226	1-1/4" SQUARE EDGE ●	24	34 3/4	6	27 3/8	38 1/8	26 5/16	37 1/16	5 15/16	
	6227	2-1/2" ROLLED EDGE ●	24	34 3/4	6	27 3/8	38 1/8	26 5/16	37 1/16	5 5/16	
	6125	FLAT TRIM 3/8" ●	24	30	8	27 3/8	33 3/8	26 5/16	32 5/16	8 15/16	HOSE RACK: 2-1/2" x 1-1/2" Hose Rack Unit; 50 or 75' Hose (HRA050B-2.5, HRA075B-2.5)
	6126	1-1/4" SQUARE EDGE ●	24	30	8	27 3/8	33 3/8	26 5/16	32 5/16	7 15/16	
	6127	2-1/2" ROLLED EDGE ●	24	30	8	27 3/8	33 3/8	26 5/16	32 5/16	7 5/16	
	6425	FLAT TRIM 3/8" ●	24	34 3/4	8	27 3/8	38 1/8	26 5/16	37 1/16	8 15/16	HOSE RACK: 2-1/2" x 1-1/2" Hose Rack Unit 100' Hose (HRA100B-2.5)
	6426	1-1/4" SQUARE EDGE ●	24	34 3/4	8	27 3/8	38 1/8	26 5/16	37 1/16	7 15/16	
	6427	2-1/2" ROLLED EDGE ●	24	34 3/4	8	27 3/8	38 1/8	26 5/16	37 1/16	7 5/16	
	6625	FLAT TRIM 3/8" ●	24	38 3/4	8	27 3/8	42 1/8	26 5/16	41 1/16	8 15/16	HOSE RACK: 2-1/2" x 1-1/2" Hose Rack Unit 125' Hose (HRA125B-2.5)
	6626	1-1/4" SQUARE EDGE ●	24	38 3/4	8	27 3/8	42 1/8	26 5/16	41 1/16	7 15/16	
	6627	2-1/2" ROLLED EDGE ●	24	38 3/4	8	27 3/8	42 1/8	26 5/16	41 1/16	7 5/16	
	6325	FLAT TRIM 3/8" ●	30	30	8	33 3/8	33 3/8	32 5/16	32 5/16	8 15/16	HOSE RACK & FD VALVE OR EXTINGUISHER: 1-1/2" OR 2-1/2" Valve 50' or 75' Hose Rack Unit Plus FD Valve or Cosmic or Galaxy Extinguisher
	6326	1-1/4" SQUARE EDGE ●	30	30	8	33 3/8	33 3/8	32 5/16	32 5/16	7 15/16	
	6327	2-1/2" ROLLED EDGE ●	30	30	8	33 3/8	33 3/8	32 5/16	32 5/16	7 5/16	
	6525	FLAT TRIM 3/8" ●	32 3/4	34 3/4	8	36 1/8	38 1/8	35 1/16	37 1/16	8 15/16	HOSE RACK & FD VALVE OR EXTINGUISHER: 1-1/2" OR 2-1/2" Valve, 100' Hose Rack Unit Plus FD Valve or Cosmic or Galaxy Extinguisher
	6526	1-1/4" SQUARE EDGE ●	32 3/4	34 3/4	8	36 1/8	38 1/8	35 1/16	37 1/16	7 15/16	
	6527	2-1/2" ROLLED EDGE ●	32 3/4	34 3/4	8	36 1/8	38 1/8	35 1/16	37 1/16	7 5/16	
	7225	FLAT TRIM 3/8" ●	32 3/4	38 3/4	8	36 1/8	42 1/8	35 1/16	41 1/16	8 15/16	HOSE RACK & FD VALVE OR EXTINGUISHER: 1-1/2" OR 2-1/2" Valve, 125' Hose Rack Unit Plus FD Valve or Cosmic or Galaxy Extinguisher
	7226	1-1/4" SQUARE EDGE ●	32 3/4	38 3/4	8	36 1/8	42 1/8	35 1/16	41 1/16	7 15/16	
	7227	2-1/2" ROLLED EDGE ●	32 3/4	38 3/4	8	36 1/8	42 1/8	35 1/16	41 1/16	7 5/16	
Cabinets for Fire Department Valves											
	8525	FLAT TRIM 3/8" ●	18	18	8	21 3/8	21 3/8	20 5/16	20 5/16	8 15/16	FIRE DEPARTMENT VALVE: 1-1/2" or 2-1/2" Fire Department Valve with Cap and Chain
	8526	1-1/4" SQUARE EDGE ●	18	18	8	21 3/8	21 3/8	20 5/16	20 5/16	7 15/16	
	8527	2-1/2" ROLLED EDGE ●	18	18	8	21 3/8	21 3/8	20 5/16	20 5/16	7 5/16	
	8425	FLAT TRIM 3/8" ●	18	18	10	21 3/8	21 3/8	20 5/16	20 5/16	10 15/16	DUAL SIDE BY SIDE FIRE DEPARTMENT VALVE & EXTINGUISHER OR 2 FIRE DEPARTMENT VALVES: 1-1/2" or 2-1/2" FD Valve w/Cap and Chain Plus Extinguisher Cosmic & Galaxy 2.5-10
	8426	1-1/4" SQUARE EDGE ●	18	18	10	21 3/8	21 3/8	20 5/16	20 5/16	9 15/16	
	8427	2-1/2" ROLLED EDGE ●	18	18	10	21 3/8	21 3/8	20 5/16	20 5/16	9 5/16	
	8725	FLAT TRIM 3/8" ●	26	26	8	29 3/8	29 3/8	28 5/16	28 5/16	8 15/16	DUAL EXTINGUISHER & FD VALVE CABINET WITH SHELF: Shelf is 12" from bottom. Cosmic or Galaxy Extinguisher
	8726	1-1/4" SQUARE EDGE ●	26	26	8	29 3/8	29 3/8	28 5/16	28 5/16	7 15/16	
	8727	2-1/2" ROLLED EDGE ●	26	26	8	29 3/8	29 3/8	28 5/16	28 5/16	7 5/16	
	8625	FLAT TRIM 3/8" ●	26	26	10	29 3/8	29 3/8	28 5/16	28 5/16	10 15/16	DUAL EXTINGUISHER & FD VALVE CABINET WITH SHELF: Shelf is 12" from bottom. Cosmic or Galaxy Extinguisher
	8626	1-1/4" SQUARE EDGE ●	26	26	10	29 3/8	29 3/8	28 5/16	28 5/16	9 15/16	
	8627	2-1/2" ROLLED EDGE ●	26	26	10	29 3/8	29 3/8	28 5/16	28 5/16	9 5/16	
	8025	FLAT TRIM 3/8" ●	16	40	9	19 3/8	43 3/8	18 5/16	42 5/16	9 15/16	DUAL EXTINGUISHER & FD VALVE CABINET WITH SHELF: Shelf is 12" from bottom. Cosmic or Galaxy Extinguisher
	8026	1-1/4" SQUARE EDGE ●	16	40	9	19 3/8	43 3/8	18 5/16	42 5/16	8 15/16	
	8027	2-1/2" ROLLED EDGE ●	16	40	9	19 3/8	43 3/8	18 5/16	42 5/16	8 5/16	

ADA Cabinet Mounting Height: Standard Pull on G, E, W, L22, A and B Door Styles with Saf-T-Lok are 3 5/8" Higher than Door Center, so Allow for that When Mounting Cabinet. Standard Pull with No Lock or ADA Recessed Pull are Centered on Door.