

# SUBMITTAL: COSMOPOLITAN STAINLESS STEEL FX2™ FIRE-RATED EXTINGUISHER CABINETS PAGE 1 OF 2

The Cosmopolitan Series in Stainless Steel Is a Modern, Clean Look for Recessed & Surface-Mounted Extinguisher Cabinets.

**Door & Trim Construction:** # 4 stainless steel. Flush cabinet doors with a 5/8" door stop are attached by a continuous hinge and equipped with zinc-plated handle and roller catch. All models have 1-3/4" wide trim on frame and 1-1/4" trim on doors with glazing.

**Trim Style & Depth:** *Trimless Recessed* - for 5/8" depth drywall or 3/4" plaster. *Recessed* 3/8" flat trim, *Semi Recessed* - 1-1/4", 1-1/2" Square Edge or 2-1/2", 3", 4", 4-1/2" Rolled Edge (4" has recessed ADAC pull). See separate submittal for trimless models.

**Tub:** The tub is constructed of cold rolled steel with white powder-coat finish standard. Tub forms a flange to cover cut edges of wallboard material. Fire-resistant material is attached to the exterior of the tub **Please note that dimensions for wall opening have changed on 1/23/15. See Chart on pg 2.**

**Fire-Rating:** Fire-FX2™ cabinets are fabricated in accordance with the UL label for one and two hour combustibile and non-combustibile wall system building codes. The fire testing has met the requirement of ANSI/UL 1479 (ASTM –E814) and ULC/CAN S115-for membrane and penetration firestops. Installation instructions must be strictly adhered to in order to obtain the fire rating.

**STEP 1: SELECT MODEL NUMBER AND QUANTITY ON CHART** (refer to chart on pg 2)

A. Determine Trim Style according to wall depth. B. Determine Tub I.D. according to size most suited for extinguisher and wall opening.



**1835F10FX2  
Recessed**



**1037V10FX2  
3" Rolled Edge  
Semi-Recessed**

**STEP 2: SELECT DOOR STYLE WITH HANDLE**

Check one box below Examples on Page 2

- F** Full Glazing
- G** Full Glazing with SAF-T-LOK™
- D** Horizontal Duo Panel
- E** Horizontal Dual Panel with SAF-T-LOK™
- S21** Solid Door

- L22** Solid with SAF-T-LOK™
- L24** Sold with Cylinder Lock - No Handle
- V** Vertical Duo
- W** Vertical Duo with SAF-T-LOK™
- B** Solid with 2" x 4" View Window & SAF-T-LOK™

[BIM Objects for REVIT® Platform](#)

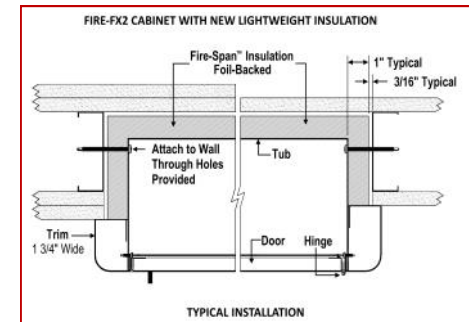
**STEP 3: SELECT DOOR GLAZING**

(Check one box below)

- 10** Clear Acrylic
- 13** Clear Wire Glass with Safety Film

- 15** Bronze Acrylic
- 16** Gray Acrylic

- 17** Clear Tempered Glass
- 18** Laminated Safety Glass



**STEP 4: OPTIONAL FEATURES AT ADDED COST (SELECT ANY)**

- Optional Tub Color:** \_ \_ Black \_ \_ Red
- Futura "Fire" Pull \_ Mill Alum \_ Red \_ White
- ADAC Flush Pull Handle
- Polished Chrome Lever Handle (**PUCH**)
- Other Stainless Finish: \_ #6 \_ #7 \_ #8
- Stainless Tub [View Stainless Finishes](#)

- Black Vertical FE Letters **LDCVBF**
- Red Vertical FE Letters **LDCVRF**
- White Vertical FE Letters **LDCVWF**
- Black Horizontal FE Letters **LDCHBF**
- Red Horizontal FE Letters **LDCHRF**
- White Horizontal FE Letters **LDCHWF**

- Black Vertical Decal **LDVBF**
- Red Vertical Decal **LDVRF**
- White Vertical Decal **LDVWF**
- Black Horizontal Decal **LDHBF**
- Red Horizontal Decal **LDHRF**
- White Horizontal Decal **LDHWF**

- (CA)** Commander Alarm
- (BA)** Brigadier Alarm [More Alarm Information](#)
- Etched Glass or Engraved Metal Lettering - See separate submittal to order.

**For More Information on Options See Other Submittals:**  
[Handles & Levers](#) [Decals/Die Cuts & Wall Signs](#).

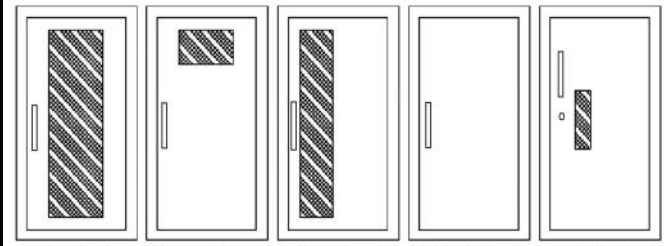
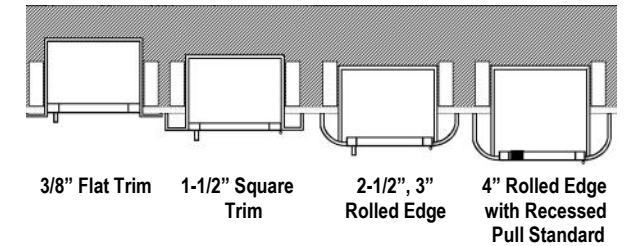
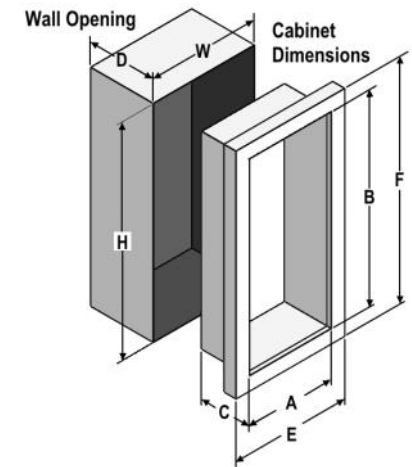
 <b>ACTIVAR INC.</b> <small>CONSTRUCTION PRODUCTS GROUP</small> COSMOPOLITAN AND FX2 ARE TRADEMARKS OF ACTIVAR PLEASE DOWNLOAD THE MOST CURRENT SUBMITTAL FROM WEBSITE BEFORE ORDERING	Distributor:	Quantity:
	Contractor:	Approved By:
	Model #:	Architect:
	Project:	Date: <span style="float: right; font-size: small;">© Activar Construction Products Group, Inc 2016</span>
<b>HEADQUARTERS &amp; JL INDUSTRIES: 9402 NEWTON AV S, BLOOMINGTON, MN 55431</b> <b>ACPG WEST COAST/SAMSON: COMMERCE, CA • WARE HOUSES: FT MYERS FL, ATLANTA GA, DALLAS TX, SEATTLE WA, LANCASTER PA, FARGO ND, OMAHA NE 2/4/2016</b>		

**SUBMITTAL: COSMOPOLITAN STAINLESS FX2 EXTINGUISHER CABINETS PLEASE NOTE CHANGES IN WALL OPENING PG 2 OF 2**

TRIM & DOOR SERIES #			Tub I.D.			Frame O.D.		FX Wall Openings in 2015 Have Changed Please Note!			Fits Extinguishers
QTY	Model	Trim Style (in)	A	B	C	E	F	W	H	D	
	<b>8135</b>	Flat 3/8" Trim ●	9	18	5 1/2	12 3/8	21 3/8	<b>11 5/16</b>	<b>20 5/16</b>	<b>6 7/16</b>	Cosmic & Galaxy 2 1/2-6, Mercury 2 1/2- 5
	<b>8136</b>	1 1/2 Square ●	9	18	5 1/2	12 3/8	21 3/8	<b>11 5/16</b>	<b>20 5/16</b>	<b>5 3/16</b>	
	<b>8137</b>	2 1/2 Rolled ●	9	18	5 1/2	12 3/8	21 3/8	<b>11 5/16</b>	<b>20 5/16</b>	<b>4</b>	
	<b>1730</b>	2-1/4 Square ●	10 1/2	24	5	13 7/8	27 3/8	<b>12 13/16</b>	<b>26 5/16</b>	<b>4</b>	
	<b>1835</b>	Flat 3/8" Trim ●	10 1/2	24	5 1/2	13 7/8	27 3/8	<b>12 13/16</b>	<b>26 5/16</b>	<b>6 7/16</b>	Cosmic & Galaxy 2 1/2-6. Mercury 2 1/2-5
	<b>1836</b>	1 1/2 Square ●	10 1/2	24	5 1/2	13 7/8	27 3/8	<b>12 13/16</b>	<b>26 5/16</b>	<b>5 3/16</b>	
	<b>1837</b>	3 Rolled ●	10 1/2	24	5 1/2	13 7/8	27 3/8	<b>12 13/16</b>	<b>26 5/16</b>	<b>3 5/8</b>	
	<b>1832</b>	4 Rolled/ADA Pull ●	10 1/2	24	5 1/2	13 7/8	27 3/8	<b>12 13/16</b>	<b>26 5/16</b>	<b>2 11/16</b>	
	<b>1838</b>	4 1/2 Rolled	10 1/2	24	5 1/2	13 7/8	27 3/8	<b>12 13/16</b>	<b>26 5/16</b>	<b>2 3/16</b>	
	<b>1035</b>	Flat 3/8" Trim ●	10 1/2	24	6	13 7/8	27 3/8	<b>12 13/16</b>	<b>26 5/16</b>	<b>6 15/16</b>	Cosmic & Galaxy 2 1/2-10 Mercury 2 1/2-5, Sentinel 5
	<b>1036</b>	1 1/2 Square ●	10 1/2	24	6	13 7/8	27 3/8	<b>12 13/16</b>	<b>26 5/16</b>	<b>5 11/16</b>	
	<b>1037</b>	3 Rolled ●	10 1/2	24	6	13 7/8	27 3/8	<b>12 13/16</b>	<b>26 5/16</b>	<b>4</b>	
	<b>1032</b>	4 Rolled/ADA Pull ●	10 1/2	24	6	13 7/8	27 3/8	<b>12 13/16</b>	<b>26 5/16</b>	<b>3 3/16</b>	
	<b>1038</b>	4 1/2 Rolled	10 1/2	24	6	13 7/8	27 3/8	<b>12 13/16</b>	<b>26 5/16</b>	<b>2 11/16</b>	
	<b>2035</b>	Flat 3/8" Trim ●	12	27	7 3/4	15 3/8	30 3/8	<b>14 5/16</b>	<b>29 5/16</b>	<b>8 11/16</b>	Any Cosmic.** Gal- axy**, Mercury, Saturn or Grenadier P, Sentinel 5 & 10
	<b>2036</b>	1 1/4 Square ●	12	27	7 3/4	15 3/8	30 3/8	<b>14 5/16</b>	<b>29 5/16</b>	<b>7 11/16</b>	
	<b>2037</b>	2 1/2 Rolled ●	12	27	7 3/4	15 3/8	30 3/8	<b>14 5/16</b>	<b>29 5/16</b>	<b>6 7/16</b>	
	<b>2032</b>	4 Rolled/ADA Pull ●	12	27	7 3/4	15 3/8	30 3/8	<b>14 5/16</b>	<b>29 5/16</b>	<b>4 15/16</b>	
	<b>2038</b>	4 1/2 Rolled	12	27	7 3/4	15 3/8	30 3/8	<b>14 5/16</b>	<b>29 5/16</b>	<b>4 7/16</b>	
	<b>3035</b>	Flat 3/8" Trim ●	16	32	7 3/4	19 3/8	35 3/8	<b>18 5/16</b>	<b>34 5/16</b>	<b>8 11/16</b>	Any Cosmic**, Galaxy**, Mercury, Saturn or Grenadier P, Sentinel 5-15, 272
	<b>3036</b>	1 1/4 Square ●	16	32	7 3/4	19 3/8	35 3/8	<b>18 5/16</b>	<b>34 5/16</b>	<b>7 11/16</b>	
	<b>3037</b>	2 1/2 Rolled ●	16	32	7 3/4	19 3/8	35 3/8	<b>18 5/16</b>	<b>34 5/16</b>	<b>6 7/16</b>	
	<b>3032</b>	4 Rolled/ADA Pull ●	16	32	7 3/4	19 3/8	35 3/8	<b>18 5/16</b>	<b>34 5/16</b>	<b>4 15/16</b>	
	<b>3038</b>	4 1/2 Rolled	16	32	7 3/4	19 3/8	35 3/8	<b>18 5/16</b>	<b>34 5/16</b>	<b>4 7/16</b>	
	<b>4035</b>	Flat 3/8" Trim ●	20	27	7 3/4	23 3/8	30 3/8	<b>22 5/16</b>	<b>29 5/16</b>	<b>8 11/16</b>	Two each of: any Cosmic**, Galaxy**, Mercury, Saturn or Grenadier P, Sentinel 5
	<b>4036</b>	1 1/4 Square ●	20	27	7 3/4	23 3/8	30 3/8	<b>22 5/16</b>	<b>29 5/16</b>	<b>7 11/16</b>	
	<b>4037</b>	2 1/2 Rolled ●	20	27	7 3/4	23 3/8	30 3/8	<b>22 5/16</b>	<b>29 5/16</b>	<b>6 7/16</b>	
	<b>4032</b>	4 Rolled/ADA Pull ●	20	27	7 3/4	23 3/8	30 3/8	<b>22 5/16</b>	<b>29 5/16</b>	<b>4 15/16</b>	
	<b>4038</b>	4 1/2 Rolled	20	27	7 3/4	23 3/8	30 3/8	<b>22 5/16</b>	<b>29 5/16</b>	<b>4 5/16</b>	



New Lighter, FX2  
Insulation



- F - Full glass with pull handle
- G - Full glass with pull handle above Saf-T-Lok
- D - Horizontal duo panel with pull handle
- E - Horizontal duo panel with pull handle above Saf-T-Lok
- V - Vertical duo panel with pull handle
- W - Vertical duo panel with pull handle above Saf-T-Lok
- S21 - Solid with pull handle
- L22 - Solid with pull handle above Saf-T-Lok
- L24 - Solid with cylinder key lock and no handle
- B - Small view window with handle above Saf-T-Lok

**ADA Cabinet Mounting Height:** Standard Pull on G, E, W, L22 and B Door Styles with Saf-T-Lok are 3 5/8" Higher than Door Center, so Allow for that When Mounting Cabinet. Standard Pull with No Lock or ADA Recessed Pull are Centered on Door.

\*\* Cosmic 20 and Galaxy 20 Extinguishers must be mounted on the back of the tub. ● ADA Cabinets

Models shown in **Large Bold** above are available in several door styles for Quick Shipment.

Distributed by  
**www.Ameraproducts.com**  
Phone: (800) 608-6568  
Fax: (409) 840-5545  
info@ameraproducts.com