



SUBMITTAL: DECORLINE™ STEEL OR ALUMINUM FIRE EXTINGUISHER CABINET

The Decorline Series offers an Economical Solution for Interior or Exterior Applications. Choose from 2-1/2", 3" or 4-5/8" Trim or a Surface-mounted Design, Side Opening Door or Slide-in Acrylic.



501AN20-5228N20 2.5" Trim
5017G20 or 5117G20 3" Trim

Construction: Cold rolled steel tub for interior use, or rust-resistant aluminum. See table for standard finish color. Optional Gray Hammettone finish on the F20, G20 and S21 models at no additional charge - add "GH" to the end of the part number

Trim: Models with trim feature 1.5" wide trim in either 2.5", 3" or 4 5/8" depth, depending on model.

Door: Models with "AN" designation have slide-in acrylic front secured by clips. All other models have frame door on continuous hinges.

Fire-rated Option: No

OPTIONS AT ADDITIONAL COST:

- Brass Padlock (Models "AN" only) Abus Padlock (Models "AN" only)
- Scored glass instead of solid glass for all cabinets with quantities indicated below
- Other color. Indicate color code: [View Color Chart](#) Replacement acrylic. Enter qty in table on page 2. See price list for box quantity.

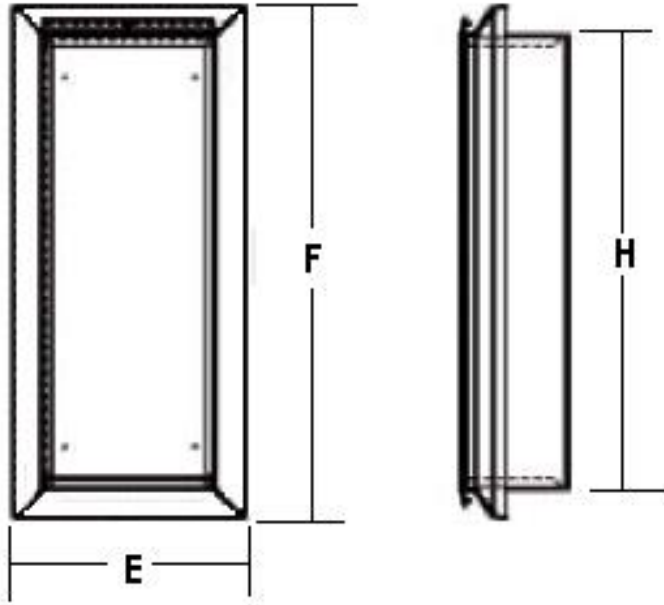
| Trim & Door Material and Series # | | | | | | | | Tub I.D. | | | Frame O.D. | | Wall Opening | | | Accommodates Following Extinguishers | |
|---|-----------------------|-----|----------------|-------------|-----------|--------------|------------------------------------|--------------|--------|--------|------------|--------|--------------|-------|--------|--------------------------------------|---|
| QTY | Steel Gray Hammettone | QTY | Aluminum White | Prev. Model | Wt in lbs | # per Carton | Features | Trim Style | W | H | D | E | F | W | H | | D |
| Models Below have Slide-in Acrylic Front | | | | | | | | | | | | | | | | | |
| | 631AN20 | | -- | 928X | 14 | 2 | No Tub | 4 3/8" Trim | 9 1/8 | 28 | 4 1/2 | 12 1/8 | 31 | 9 1/4 | 28 1/4 | N/A | Cosmic 2-1/2, 5, Galaxy 2-1/2, 5, 5-1/2, Mercury 2-1/2, 5 |
| | 501AN20 | | 502AN20 | 818T | 19/15 | 2 | Semi-Recessed Includes Breaker Bar | 2 1/2" Trim | 8 1/8 | 18 | 5 1/2 | 11 1/4 | 21 1/4 | 9 | 19 | 4 | Cosmic & Galaxy 2-1/2, 5, 5-1/2, 6, Mercury 2-1/2, 5, Sentinel 5 |
| | 511AN20 | | 512AN20 | 924T | 23/18 | 2 | | 2 1/2" Trim | 9 1/8 | 24 | 5 1/2 | 12 1/8 | 27 | 10 | 25 | 4 | Any Cosmic, Galaxy, Mercury, Saturn, Grenadier P, Sentinel 5 |
| | 521AN20 | | 522AN20 | 1028T | 29/22 | 2 | | 2 1/2" Trim | 10 1/8 | 28 | 8 1/4 | 13 1/8 | 31 | 11 | 29 | 6 | |
| | 5218N20 | | 5228N20 | 1028T4 | 29/22 | 2 | | 4 5/8" Trim | 10 1/8 | 28 | 8 1/4 | 13 1/8 | 31 | 11 | 29 | 4 | |
| Models Below have Door with Continuous Hinge | | | | | | | | | | | | | | | | | |
| | 5017F20 | | 5027F20 | 818TDH | 19/15 | 2 | Acrylic Window & Handle | 3" Trim | 8 1/8 | 18 | 5 1/2 | 11 1/4 | 21 1/4 | 9 | 19 | 3 1/4 | Cosmic 2-1/2, 5, 6, Galaxy 2-1/4, 5, 5-1/2, Mercury 2-1/2, 5 |
| | 5019F20 | | 5029F20 | 818DH | 14/10 | 2 | | Surface Mtd. | 8 1/8 | 18 | 5 1/2 | 8 1/8 | 18 | -- | -- | -- | Cosmic 2-1/2, 5, 6, 10, Galaxy 2-1/2, 5, 5-1/2, 6, 10, Mercury 2-1/2, 5, 11, 15-1/2, 15, Sentinel 5 |
| | 5117F20 | | 5127F20 | 924TDH | 23/18 | 2 | | 3" Trim | 9 | 23 7/8 | 5 5/8 | 12 1/4 | 27 1/4 | 10 | 25 | 3 1/4 | |
| | 5119F20 | | 5129F20 | 924DH | 20/15 | 2 | | Surface Mtd. | 9 | 23 7/8 | 5 5/8 | 9 1/8 | 24 | -- | -- | -- | |
| | 5017G20 | | 5027G20 | 818TDL | 19/15 | 2 | Acrylic Window, Handle & Saf-T-Lok | 3" Trim | 8 1/8 | 18 | 5 1/2 | 11 1/4 | 21 1/4 | 9 | 19 | 3 1/4 | Cosmic 2-1/2, 5, 6, Galaxy 2-1/4, 5, 5-1/2, Mercury 2-1/2, 5 |
| | 5019G20 | | 5029G20 | 818DL | 14/10 | 2 | | Surface Mtd. | 8 1/8 | 18 | 5 1/2 | 8 1/8 | 18 | -- | -- | -- | Cosmic 2-1/2, 5, 6, 10, Galaxy 2-1/2, 5, 5-1/2, 6, 10, Mercury 2-1/2, 5, 11, 15-1/2, 15, Sentinel 5 |
| | 5117G20 | | 5127G20 | 924TDL | 23/18 | 2 | | 3" Trim | 9 | 23 7/8 | 5 5/8 | 12 1/4 | 27 1/4 | 10 | 25 | 3 1/4 | |
| | 5119G20 | | 5129G20 | 924DL | 20/15 | 2 | | Surface Mtd. | 9 | 23 7/8 | 5 5/8 | 9 1/8 | 24 | -- | -- | -- | |
| | 5017S21 | | -- | 818TDHS | 19 | 2 | Solid Door with Handle | 3" Trim | 8 1/8 | 18 | 5 1/2 | 11 1/4 | 21 1/4 | 9 | 19 | 3 1/4 | Cosmic 2-1/2, 5, 6, Galaxy 2-1/4, 5, 5-1/2, Mercury 2-1/2, 5 |
| | 5019S21 | | 5029S21 | 818DHS | 14/10 | 2 | | Surface Mtd. | 8 1/8 | 18 | 5 1/2 | 8 1/8 | 18 | -- | -- | -- | Cosmic 2-1/2, 5, 6, 10, Galaxy 2-1/2, 5, 5-1/2, 6, 10, Mercury 2-1/2, 5, 11, 15-1/2, 15, Sentinel 5 |
| | 5117S21 | | 5127S21 | 924TDHS | 23/18 | 2 | | 3" Trim | 9 | 23 7/8 | 5 5/8 | 12 1/4 | 27 1/4 | 10 | 25 | 3 1/4 | |
| | 5119S21 | | 5129S21 | 924DHS | 20/15 | 2 | | Surface Mtd. | 9 | 23 7/8 | 5 5/8 | 9 1/8 | 24 | -- | -- | -- | |

| | | |
|--|--------------|--|
| <p>ACTIVAR INC. CONSTRUCTION PRODUCTS GROUP</p> <p>DECORLINE IS A TRADEMARK OF ACTIVAR CONSTRUCTION PRODUCTS GROUP, INC. PLEASE DOWNLOAD MOST CURRENT SUBMITTAL FROM WEBSITE BEFORE ORDERING</p> | Distributor: | Quantity: |
| | Contractor: | Approved By: |
| | Model #: | (add "GH" to model for gray hammettone) Architect: |
| | Project: | Date: © 2018 Activar Construction Products Group, Inc. |
| <p>HEADQUARTERS: 9702 NEWTON AV SOUTH, BLOOMINGTON, MN 55431 MANUFACTURING: BLOOMINGTON MN AND COMMERCE, CA WAREHOUSES: DALLAS TX, LANCASTER PA, ATLANTA GA, CHICAGO, IL, SEATTLE WA, FARGO ND, OMAHA NE 10/4/2018</p> | | |

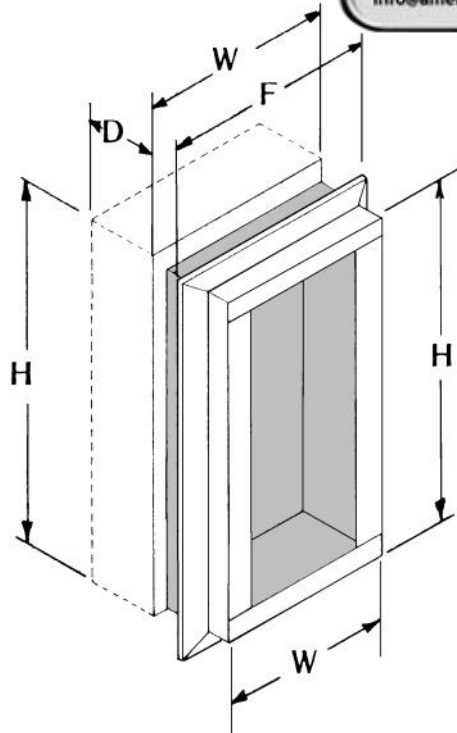
SUBMITTAL: DECORLINE STEEL OR ALUMINUM FIRE EXTINGUISHER CABINET



501AN20, 502AN20, 511AN20, 512AN20, 521AN20, 522AN20 with tapered 2.5" or 4-1/8" Trim
 Slide-in Acrylic Front



Semi-Recessed Models with Trim



Semi-Recessed Models with Trim



5019S21, 5029S21, 5119S21, 5129S21
 Surface-Mount



5019F20, 5029F20, 5119F20, 5129F20
 Surface-Mount



5019G20, 5029G20, 5119G20, 5129G20
 Surface-Mount



5017F20, 5027F20, 5117F20, 5127F20
 3" Trim



5017G20, 5027G20, 5117G20, 5127G20
 3" Trim

| Qty | Fits Models | Replacement Acrylic | |
|-----|------------------------|---------------------|------------------------------|
| | 501AN, 502AN | 1122 | Clear Acrylic Glazing |
| | | 1100039 | Clear Scored Acrylic Glazing |
| | 511AN, 512AN | 1123 | Clear Acrylic Glazing |
| | | 1100040 | Clear Scored Acrylic Glazing |
| | 521AN, 522AN | 1124 | Clear Acrylic Glazing |
| | | 1100041 | Clear Scored Acrylic Glazing |
| | 631AN20 | 11233 | Clear Acrylic Glazing |
| | 5017, 5027, 5019, 5029 | G50F20 | Clear Acrylic Glazing |
| | 5117, 5127, 5119, 5129 | 11235 | Clear Acrylic Glazing |