

# SUBMITTAL: AMBASSADOR™ STEEL FIRE EXTINGUISHER CABINETS

The Ambassador Series is a Durable, Attractive Steel Cabinet with Powder-coat Finish that Stands up to Conditions in Commercial Buildings.

**Door & Trim Construction:** Cold rolled steel with white powder-coated finish standard. Flush cabinet doors with a 5/8" door stop are attached by a continuous hinge and equipped with zinc-plated handle and roller catch. All models have 1-3/4" wide trim on frame and 1-1/4" trim on doors with glazing.

**Trim Style & Depth:** *Trimless Recessed* - See Separate Submittal. *Recessed Flat 3/8" Trim*, *Semi Recessed - 1-1/4", 1-1/2" Square Edge* or 2-1/2", 3", 4", 4-1/2" Rolled Edge (4" has recessed ADAC pull). *Surface-mount* models have a square edge or optional rolled edge upon request.

**Tub:** The tub is constructed of cold rolled steel with white powder-coat finish standard.

**Fire-Rated Option Available:** Yes - [See separate Submittal Form.](#)

**STEP 1: SELECT MODEL NUMBER AND QUANTITY ON CHART** (refer to chart on page 2)

- A. Determine Trim Style according to wall depth.
- B. Determine Tub I.D. according to size most suited for extinguisher and wall opening.

**STEP 2: SELECT DOOR STYLE WITH HANDLE**

Check one box below Examples on Page 2

- |   |  |
|---|--|
| <input type="checkbox"/> F Full Glazing in 1-1/4" wide Frame            | <input type="checkbox"/> L22 Solid with SAF-T-LOK™                     |
| <input type="checkbox"/> G Full Glazing with SAF-T-LOK™ in 1-1/4" Frame | <input type="checkbox"/> L24 Sold with Cylinder Lock - No Handle       |
| <input type="checkbox"/> D Horizontal Duo Panel                         | <input type="checkbox"/> V Vertical Duo                                |
| <input type="checkbox"/> E Horizontal Dual Panel with SAF-T-LOK™        | <input type="checkbox"/> W Vertical Duo with SAF-T-LOK™                |
| <input type="checkbox"/> S21 Solid Door                                 | <input type="checkbox"/> B Solid with 2" x 4" View Window & SAF-T-LOK™ |



**1012W10**  
4" Rolled Trim with Standard ADA Pull



**1017V10**  
3" Rolled Trim Semi-Recessed



**1816F10**  
1-1/2" Square Trim Semi-Recessed

**STEP 3: SELECT DOOR GLAZING** (Check one box below)

- |   |  |  |
|---|--|--|
| <input type="checkbox"/> 10 Clear Acrylic               | <input type="checkbox"/> 15 Bronze Acrylic | <input type="checkbox"/> 17 Clear Tempered Glass   |
| <input type="checkbox"/> 13 Wire Glass with Safety Film | <input type="checkbox"/> 16 Gray Acrylic   | <input type="checkbox"/> 18 Laminated Safety Glass |


[BIM Objects for REVIT® Platform](#)

**STEP 4: OPTIONAL FEATURES AT ADDED COST (SELECT ANY)**

- |  |  |  |   |
|--|--|--|---|
| <input type="checkbox"/> Optional Tub Color: <input type="checkbox"/> Black <input type="checkbox"/> Red   | <input type="checkbox"/> Black Vertical FE Letters LDCVBFE   | <input type="checkbox"/> Black Vertical Decal LDVBFE   | <input type="checkbox"/> (CA) Commander Alarm                                     |
| <input type="checkbox"/> Futura "Fire" Pull <input type="checkbox"/> Mill Alum <input type="checkbox"/> Red <input type="checkbox"/> White       | <input type="checkbox"/> Red Vertical FE Letters LDCVRFE     | <input type="checkbox"/> Red Vertical Decal LDVRFE     | <input type="checkbox"/> (BA) Brigadier Alarm                                     |
| <input type="checkbox"/> Flush Pull Handle   | <input type="checkbox"/> White Vertical FE Letters LDCVWFE   | <input type="checkbox"/> White Vertical Decal LDVWFE   | <input type="checkbox"/> (SA) Strobe Alarm (Surface Mount Models)                 |
| <input type="checkbox"/> Polished Chrome Handle (PUCH)   | <input type="checkbox"/> Black Horizontal FE Letters LDCHBFE | <input type="checkbox"/> Black Horizontal Decal LDHBFE | <input type="checkbox"/> Etched/Engraved Lettering in Glass or Metal- Attach Sub. |
| <input type="checkbox"/> <u>Optional Colors:</u> <input type="checkbox"/> Red <input type="checkbox"/> Black <input type="checkbox"/> Flat Black | <input type="checkbox"/> Red Horizontal FE Letters LDCHRFE   | <input type="checkbox"/> Red Horizontal Decal LDHRFE   | <input type="checkbox"/> Rolled Edge Surface Mount- See Separate Submittal        |
| <input type="checkbox"/> Sand AMS Beige SC Flat Beige  | <input type="checkbox"/> White Horizontal FE Letters LDCHWFE | <input type="checkbox"/> White Horizontal Decal LDHWFE | <input type="checkbox"/> Optional Lock for G, E, W, L22, B: _____                 |
| <input type="checkbox"/> Gray Bronze Silver  |  |  |   |

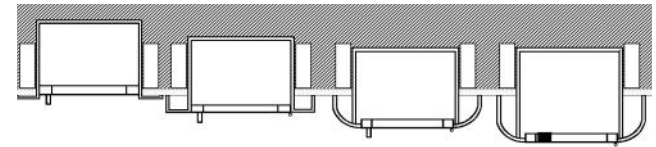
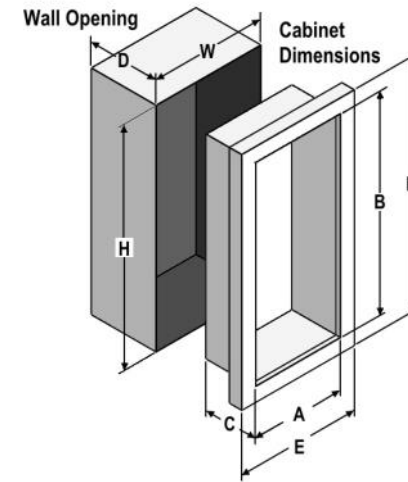
**For More Information on Options See Other Submittals:** [Handles & Levers](#) [Decals/Die Cuts & Wall Signs](#) [More Alarm Information](#)

Magnetic Catch (-MC) Replaces Roller Catch

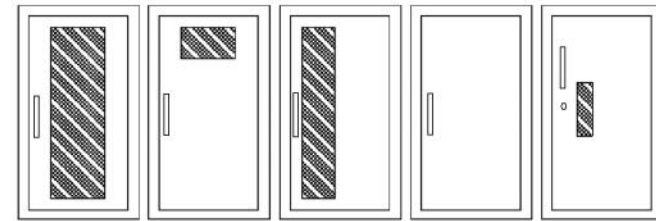
 <b>ACTIVAR INC.</b> <small>CONSTRUCTION PRODUCTS GROUP</small>  AMBASSADOR™ IS A TRADEMARK OF ACTIVAR DOWNLOAD CURRENT SUBMITTAL BEFORE ORDERING	Distributor:	Quantity:
	Contractor:	Approved By:
	Model #:	Architect:
	Project:	Date:

# SUBMITTAL: AMBASSADOR STEEL FIRE EXTINGUISHER CABINETS

QTY	TRIM & DOOR SERIES #		Tub I.D.			Frame O.D.		Wall Opening			Fits Extinguishers
	Model	Trim Style	A	B	C	E	F	W	H	D	
	<b>8115</b>	Flat 3/8" Trim ●	9	18	5 1/2	12 3/8	21 3/8	10	19	5 3/8	Cosmic & Galaxy 2 1/2-6, Mercury 2 1/2- 5
	<b>8116</b>	1 1/2 Square ●	9	18	5 1/2	12 3/8	21 3/8	10	19	4 1/8	
	<b>8117</b>	2 1/2 Rolled ●	9	18	5 1/2	12 3/8	21 3/8	10	19	3 1/8	
	<b>8113</b>	Surf. Mtd Sq	12 3/16	21 3/16	6	12 3/8	21 3/8	--	--	--	
	<b>1710</b>	2-1/4 Square ●	10 1/2	24	5	13 7/8	27 3/8	11 1/2	25	3	
	<b>1815</b>	Flat 3/8" Trim ●	10 1/2	24	5 1/2	13 7/8	27 3/8	11 1/2	25	5 3/8	Cosmic & Galaxy 2 1/2-6 Mercury 2 1/2-5
	<b>1816</b>	1 1/2 Square ●	10 1/2	24	5 1/2	13 7/8	27 3/8	11 1/2	25	4 1/8	
	<b>1817</b>	3 Rolled ●	10 1/2	24	5 1/2	13 7/8	27 3/8	11 1/2	25	2 5/8	
	<b>1812</b>	4 Rolled/ADA Pull ●	10 1/2	24	5 1/2	13 7/8	27 3/8	11 1/2	25	1 5/8	
	<b>1818</b>	4 1/2 Rolled	10 1/2	24	5 1/2	13 7/8	27 3/8	11 1/2	25	1 1/8	
	<b>1015</b>	Flat 3/8" Trim ●	10 1/2	24	6	13 7/8	27 3/8	11 1/2	25	5 7/8	Cosmic & Galaxy 2 1/2-10 Mercury 2 1/2-5, Sentinel 5
	<b>1016</b>	1 1/2 Square ●	10 1/2	24	6	13 7/8	27 3/8	11 1/2	25	4 5/8	
	<b>1017</b>	3 Rolled ●	10 1/2	24	6	13 7/8	27 3/8	11 1/2	25	3 1/8	
	<b>1012</b>	4 Rolled/ADA Pull ●	10 1/2	24	6	13 7/8	27 3/8	11 1/2	25	2 1/8	
	<b>1018</b>	4 1/2 Rolled	10 1/2	24	6	13 7/8	27 3/8	11 1/2	25	1 5/8	
	<b>1013</b>	Surf Mtd. Sq	13 11/16	27 3/16	6 1/2	13 7/8	27 3/8	--	--	--	
	<b>2015</b>	Flat 3/8" Trim ●	12	27	7 3/4	15 3/8	30 3/8	13	28	7 5/8	Any Cosmic**, Galaxy**, Mercury, Saturn or Grenadier P, Sentinel 5 & 10
	<b>2016</b>	1 1/4 Square ●	12	27	7 3/4	15 3/8	30 3/8	13	28	6 5/8	
	<b>2017</b>	2 1/2 Rolled ●	12	27	7 3/4	15 3/8	30 3/8	13	28	5 3/8	
	<b>2012</b>	4 Rolled/ADA Pull ●	12	27	7 3/4	15 3/8	30 3/8	13	28	3 7/8	
	<b>2018</b>	4 1/2 Rolled	12	27	7 3/4	15 3/8	30 3/8	13	28	3 3/8	
	<b>2013</b>	Surf Mtd. Sq	15 3/16	30 3/16	8 1/4	15 3/8	30 3/8	--	--	--	
	<b>3015</b>	Flat 3/8" Trim ●	16	32	7 3/4	19 3/8	35 3/8	17	33	7 5/8	Any Cosmic**, Galaxy**, Mercury, Saturn or Grenadier P, Sentinel 5-15, 272
	<b>3016</b>	1 1/4 Square ●	16	32	7 3/4	19 3/8	35 3/8	17	33	6 5/8	
	<b>3017</b>	2 1/2 Rolled ●	16	32	7 3/4	19 3/8	35 3/8	17	33	5 3/8	
	<b>3012</b>	4 Rolled/ADA Pull ●	16	32	7 3/4	19 3/8	35 3/8	17	33	3 7/8	
	<b>3018</b>	4 1/2 Rolled	16	32	7 3/4	19 3/8	35 3/8	17	33	3 3/8	
	<b>3013</b>	Surf Mtd. Sq	19 3/16	35 3/16	8 1/4	19 3/8	35 3/8	--	--	--	
	<b>4015</b>	Flat 3/8" Trim ●	20	27	7 3/4	23 3/8	30 3/8	21	28	7 5/8	Two each of: any Cosmic**, Galaxy**, Mercury, Saturn or Grenadier P, Sentinel 5
	<b>4016</b>	1 1/4 Square ●	20	27	7 3/4	23 3/8	30 3/8	21	28	6 5/8	
	<b>4017</b>	2 1/2 Rolled ●	20	27	7 3/4	23 3/8	30 3/8	21	28	5 3/8	
	<b>4012</b>	4 Rolled/ADA Pull ●	20	27	7 3/4	23 3/8	30 3/8	21	28	3 7/8	
	<b>4018</b>	4 1/2 Rolled	20	27	7 3/4	23 3/8	30 3/8	21	28	3 3/8	
	<b>4013</b>	Surf Mtd. Sq	23 3/16	30 3/16	8 1/4	23 3/8	30 3/8	--	--	--	



3/8" Flat 3/8" Trim    1-1/2" Square Trim    2-1/2", 3" Rolled Edge    4", 4-1/2" Rolled with Recessed Pull Standard



F - Full glass with pull handle  
 D - Horizontal duo panel with pull handle  
 V - Vertical duo panel with pull handle  
 S21 - Solid with pull handle  
 B - Small view window with pull handle, above Saf-T-Lok

G - Full glass with pull handle above Saf-T-Lok (Not Shown)  
 E - Horizontal duo panel with pull handle above Saf-T-Lok. (Not Shown)  
 W - Vertical duo panel with pull handle above Saf-T-Lok. (Not Shown)  
 L22 - Solid with pull handle above Saf-T-Lok (Not Shown)  
 L24 - Solid with cylinder key lock and no handle (Not Shown)

**ADA Cabinet Mounting Height:** Standard Pull on G, E, W, L22 and B Door Styles with Saf-T-Lok are 3 5/8" Higher than Door Center, so Allow for that When Mounting Cabinet. Standard Pull with No Lock or ADA Recessed Pull are Centered on Door.

Models shown in **Large Bold** above are available in several door styles for Quick Shipment. [See current Stock List.](#)  
 \*\* Cosmic 20 & Galaxy 20 Extinguisher must be mounted on the back of the cabinet tub ● ADA Cabinets