

SUBMITTAL: AMBASSADOR™ STEEL FIRE EXTINGUISHER CABINETS TRIMLESS

The Ambassador Series is a Durable, Steel Cabinet with Powder-coat Finish that Stands up to Conditions in Commercial Buildings. This New Version with Concealed Trim is Designed to be Installed Over Drywall, or Under Plaster for a Flush Finished Surface.

Door Construction: Cold rolled steel with white powder-coated finish standard. Flush cabinet doors are attached by a continuous hinge and equipped with zinc-plated handle and roller catch. Doors with glazing have 1-1/4 wide trim.

Concealed Flange Style: Drywall bead for installation over drywall (WB style) or plaster flange with stop (PW style) with 3/4" plaster allowance.

Tub: The tub is constructed of cold rolled steel with white powder-coat finish standard. Tub includes a 1-1/4" wide flange to cover the wall opening, and is designed to be concealed by drywall, plaster or stucco.

Fire-Rated Option Available: Yes - [See separate Submittal Form.](#) (Note FX version is designed to be installed between layers of drywall)



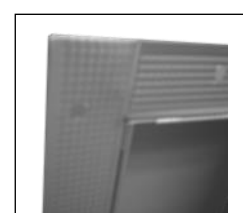
STEP 1: SELECT MODEL NUMBER AND QUANTITY ON CHART (refer to chart on pg 2)

A. Determine Trim Style for Either Wallboard or Plaster Walls.. B. Determine Tub I.D. according to size most suited for extinguisher and wall opening.

STEP 2: SELECT DOOR STYLE WITH HANDLE

Check one box below Examples on Page 2

- | | |
|---|--|
| <input type="checkbox"/> F Full Glazing in 1-1/4" wide Frame | <input type="checkbox"/> L22 Solid with SAF-T-LOK™ |
| <input type="checkbox"/> G Full Glazing with SAF-T-LOK™ in 1-1/4" Frame | <input type="checkbox"/> L24 Sold with Cylinder Lock - No Handle |
| <input type="checkbox"/> D Horizontal Duo Panel | <input type="checkbox"/> V Vertical Duo |
| <input type="checkbox"/> E Horizontal Dual Panel with SAF-T-LOK™ | <input type="checkbox"/> W Vertical Duo with SAF-T-LOK™ |
| <input type="checkbox"/> S21 Solid Door | <input type="checkbox"/> B Solid with 2" x 4" View Window & SAF-T-LOK™ |



STEP 3: SELECT DOOR GLAZING

(Check one box below)

- | | | |
|---|--|--|
| <input type="checkbox"/> 10 Clear Acrylic | <input type="checkbox"/> 15 Bronze Acrylic | <input type="checkbox"/> 17 Clear Tempered Glass |
| <input type="checkbox"/> 13 Wire Glass with Safety Film | <input type="checkbox"/> 16 Gray Acrylic | <input type="checkbox"/> 18 Laminated Safety Glass |

STEP 4: OPTIONAL FEATURES AT ADDED COST (SELECT ANY)

- | |
|---|
| <input type="checkbox"/> Futura "Fire" Pull _ Mill Alum _ Red _ White |
| <input type="checkbox"/> Flush Recessed Pull Handle |
| <input type="checkbox"/> Polished Chrome Handle (PUCH) |
| <input type="checkbox"/> Optional Colors: Tub, Hinge and Door will be painted |
| <input type="checkbox"/> In a single color - select from below. |
| Sand AMS Beige SC Flat Beige Red |
| Gray Bronze Silver Black Flat Black |

- | |
|--|
| <input type="checkbox"/> Black Vertical FE Letters LDCVBFE |
| <input type="checkbox"/> Red Vertical FE Letters LDCVRFE |
| <input type="checkbox"/> White Vertical FE Letters LDCVWFE |
| <input type="checkbox"/> Black Horizontal FE Letters LDCHBFE |
| <input type="checkbox"/> Red Horizontal FE Letters LDCHRFE |
| <input type="checkbox"/> White Horizontal FE Letters LDCHWFE |


Plaster Flange

- | |
|--|
| <input type="checkbox"/> Black Vertical Decal LDVBFE |
| <input type="checkbox"/> Red Vertical Decal LDVRFE |
| <input type="checkbox"/> White Vertical Decal LDVWFE |
| <input type="checkbox"/> Black Horizontal Decal LDHBFE |
| <input type="checkbox"/> Red Horizontal Decal LDHRFE |
| <input type="checkbox"/> White Horizontal Decal LDHWFE |

Drywall Bead Flange

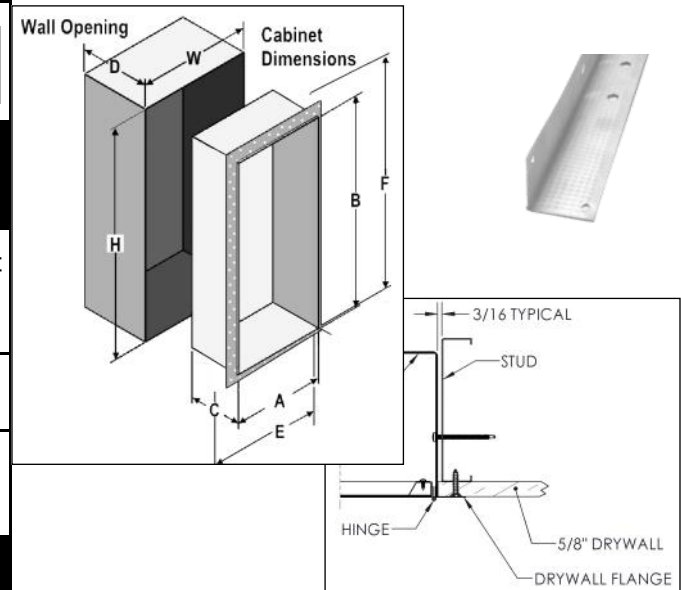
- | |
|---|
| <input type="checkbox"/> (CA) Commander Alarm |
| <input type="checkbox"/> (BA) Brigadier Alarm |
| <input type="checkbox"/> Etched/Engraved Lettering in Glass or Metal- Attach Sub. |
| <input type="checkbox"/> Optional Lock for G, E, W, L22, B: _____ |
| <input type="checkbox"/> (MC) Magnetic Catch—Replaces Roller Catch |

For More Information on Options See Other Submittals: [Decals/Die Cuts & Wall Signs](#), [Handles & Levers](#).

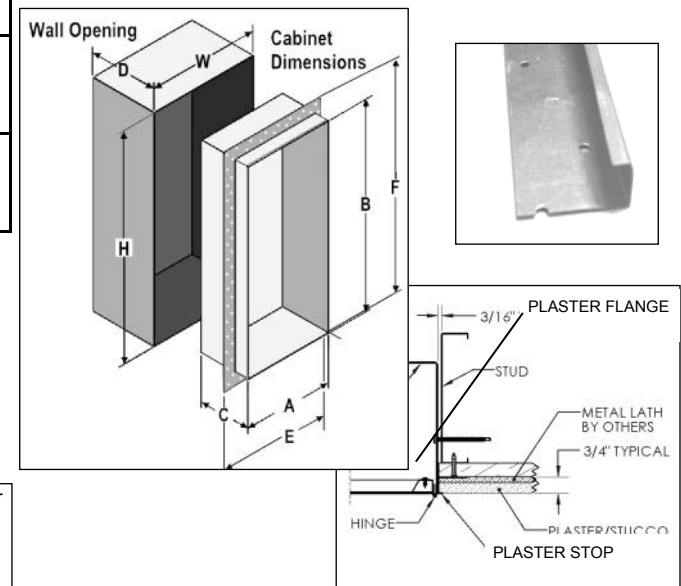
 ACTIVAR INC. <small>CONSTRUCTION PRODUCTS GROUP</small> AMBASSADOR™ IS A TRADEMARK OF ACPG DOWNLOAD CURRENT SUBMITTAL BEFORE ORDERING	Distributor:	Quantity:
	Contractor:	Approved By:
	Model #:	Architect:
	Project:	Date:
HEADQUARTERS: 9702 NEWTON AV S, BLOOMINGTON, MN 55431 MANUFACTURING: BLOOMINGTON MN & COMMERCE, CA • WAREHOUSES: FT MYERS FL, ATLANTA GA, DALLAS TX, SEATTLE WA, LANCASTER PA, FARGO ND, OMAHA NE 3/17/2017		

SUBMITTAL: AMBASSADOR STEEL FIRE EXTINGUISHER CABINETS - TRIMLESS

TRIM & DOOR SERIES #			Tub I.D.			Frame O.D.		Wall Opening			Fits Extinguishers View Submittal
QTY	Model	Trim Style	A Width	B Height	C Depth	E Width	F Height	W Width	H Height	D Depth	
TRIMLESS CABINET WITH WALLBOARD BEAD TRIM FOR INSTALLATION OVER DRYWALL Example of Part # 8114WBF10											
	8114WB	Trimless Drywall	9	18	5 1/2	11 1/2	20 1/2	10	19	5 5/8	Cosmic & Galaxy 2 1/2-6 (6lb must be mounted on cabinet tub), Mercury 2 1/2- 5
	1014WB	Trimless Drywall	10 1/2	24	6	13	26 1/2	11 1/2	25	6 1/8	Cosmic & Galaxy 2 1/2-10 Mercury 2 1/2-5 , Sentinel 5
	2014WB	Trimless Drywall	12	27	7 3/4	14 1/2	29 1/2	13	28	7 7/8	Any Cosmic**,Galaxy**, Mercury, Saturn or Grenadier P, Sentinel 5 & 10
TRIMLESS CABINET WITH RECESSED FLANGE FOR INSTALLATION OF 3/4" PLASTER OVER TRIM Example of Part # 8114PWF10											
	8114PW	Trimless Plaster	9	18	5 1/2	11 1/2	20 1/2	10	19	5 5/8	Cosmic & Galaxy 2 1/2-6 (6lb must be mounted on cabinet tub), Mercury 2 1/2- 5
	1014PW	Trimless Plaster	10 1/2	24	6	13	26 1/2	11 1/2	25	6 1/8	Cosmic & Galaxy 2 1/2-10 Mercury 2 1/2-5 , Sentinel 5
	2014PW	Trimless Plaster	12	27	7 3/4	14 1/2	29 1/2	13	28	7 7/8	Any Cosmic**,Galaxy**, Mercury, Saturn or Grenadier P, Sentinel 5 & 10



TRIMLESS FLANGE FOR 5/8" DRYWALL



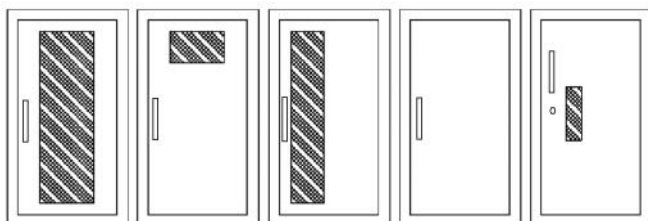
TRIMLESS RECESSED FLANGE FOR 3/4" PLASTER

[VIEW ALL DOOR STYLES ONLINE](#)

ADA Cabinet Mounting Height: Standard Pull on G, E, W, L22 and B Door Styles with Saf-T-Lok are 3 5/8" Higher than Door Center, so Allow for that When Mounting Cabinet.

Standard Pull with No Lock or Flush Pull are Centered on Door.

[ADA Information](#)



- F - Full glass with pull handle
- G - Full glass with pull handle and Saf-T-Lok (Not Shown)
- D - Horizontal duo panel with pull handle
- E - Horizontal duo panel with pull handle and Saf-T-Lok. (Not Shown)
- V - Vertical duo panel with pull handle
- W - Vertical duo panel with pull handle and Saf-T-Lok. (Not Shown)
- S21 - Solid with pull handle
- L22 - Solid with pull handle and Saf-T-Lok
- L24 - Solid with cylinder key lock and no handle
- B - Solid with pull handle, view window and Saf-T-Lok

Distributed by
www.AmeraProducts.com
 Phone: (800) 608-6568
 Fax: (409) 840-5545
info@ameraproducts.com