

SUBMITTAL: ACADEMY™ ALUMINUM FIRE EXTINGUISHER CABINETS

Distributed by
www.Ameraproducts.com
 Phone: (800) 608-6568
 Fax: (409) 840-5545
 info@ameraproducts.com

The Academy Series Features Aluminum Trim and Door, with 10 Door Styles & Optional Anodized Colors.

Door & Trim Construction: No 180 clear anodized aluminum. Flush cabinet doors with a 5/8" door stop are attached by a continuous hinge and equipped with zinc-plated handle and roller catch. All models have 1-3/4" wide trim on frame and 1-1/4" trim on doors with glazing. Rolled edge models are constructed of mechanically-joined extrusions, except for models 1827 and 1027 which are die formed. *Die formed corners provide an attractive, rounded edge - unique to the JL line of cabinets!*

Trim Style & Depth: Recessed 3/8" flat trim, Semi Recessed - 1-1/4", 1-1/2" Square Edge or 2-1/2", 3", 4", 4-1/2" Rolled Edge (4" has recessed ADAC pull). Surface-mount models have a square edge.

Tub: The tub is constructed of cold rolled steel with white powder-coat finish standard. Surface-mounted models have aluminum tub.

STEP 1: SELECT MODEL NUMBER AND QUANTITY ON CHART (refer to chart on pg 2)

- A. Determine Trim Style according to wall depth.
- B. Determine Tub I.D. according to size most suited for extinguisher and wall opening.

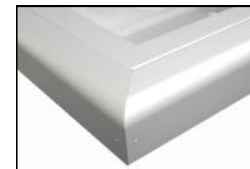
STEP 2: SELECT DOOR STYLE WITH HANDLE

- F** Full Glazing
- G** Full Glazing with SAF-T-LOK™
- D** Horizontal Duo Panel
- E** Horizontal Dual Panel with SAF-T-LOK™
- S21** Solid Door

- Check one box below Examples on Page 2
- L22** Solid with SAF-T-LOK™
 - L24** Solid with Cylinder Lock - No Handle
 - V** Vertical Duo
 - W** Vertical Duo with SAF-T-LOK™
 - B** Solid with 2" x 4" View Window & SAF-T-LOK™



**Formed Rolled Edge
1027 and 1827**



**Extruded Rolled Edge
2-1/2", 4" and 4-1/2"**



**8125D10
Flat Trim
Semi-Recessed**



**1827G10
3" Rolled Trim
Semi-Recessed
with Saf-T-Lok™
Unique Die
Formed Rolled
Corners!**

STEP 3: SELECT DOOR GLAZING

(Check one box below)

- 10** Clear Acrylic
- 13** Clear Wire Glass with Safety Film
- 15** Bronze Acrylic
- 16** Gray Acrylic
- 17** Clear Tempered Glass
- 18** Laminated Safety Glass

[BIM Objects for REVIT® Platform](#)

STEP 4: OPTIONAL FEATURES AT ADDED COST (SELECT ANY)

- Optional Tub Color: Black Red
 - Futura "Fire" Pull Mill Alum Red White
 - Flush Pull Handle (**PRH**)
 - Polished Chrome Handle (**PUCH**)
 - Aluminum Tub - Clear Anodized
 - [Optional Anodized Color Finish](#)
 - Dark Bronze (pulls to match)
 - Black Vertical FE Letters **LDCVBF**
 - Red Vertical FE Letters **LDCVRF**
 - White Vertical FE Letters **LDCVWF**
 - Black Horizontal FE Letters **LDCHBF**
 - Red Horizontal FE Letters **LDCHRF**
 - White Horizontal FE Letters **LDCHWF**
 - Black Vertical Decal **LDVBF**
 - Red Vertical Decal **LDVRF**
 - White Vertical Decal **LDVWF**
 - Black Horizontal Decal **LDHBF**
 - Red Horizontal Decal **LDHRF**
 - White Horizontal Decal **LDHWF**
 - (CA)** Commander Alarm
 - (BA)** Brigadier Alarm
 - (SA)** Strobe Alarm (Surface mount models)
 - Etched/Engraved Lettering in Glass or Metal- Attach Sub
 - Powder Coat Paint** White Bronze Other Code
- See Separate Submittal for Rolled Surface Mt.

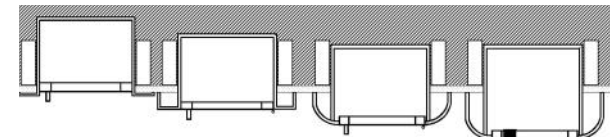
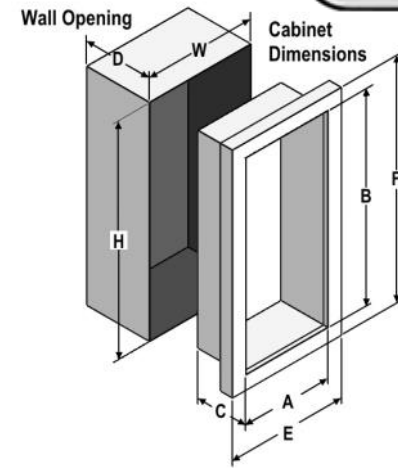
For More Information on Options See Other Submittals: [Handles & Pulls](#) [Decals/Die Cuts & Wall Signs](#) [More Alarm Information](#)

<p>ACTIVAR INC. CONSTRUCTION PRODUCTS GROUP</p> <p>ACADEMY AND SAF-T-LOK ARE TRADEMARKS OF ACPG</p> <p>JL INDUSTRIES PLEASE DOWNLOAD MOST CURRENT SUBMITTAL FROM WEBSITE BEFORE ORDERING</p>	Distributor:	Quantity:
	Contractor:	Approved By:
	Model #:	Architect:
	Project:	Date:
© 2019 Activar Construction Products Group, Inc		
<p>HEADQUARTERS: 9702 NEWTON AV S, BLOOMINGTON, MN 55431</p> <p>MANUFACTURING: COMMERCE, CA & BLOOMINGTON MN • WARE HOUSES: FT MYERS FL, ATLANTA GA, DALLAS TX, SEATTLE WA, LANCASTER PA, FARGO ND, OMAHA NE 3/20/2019</p>		

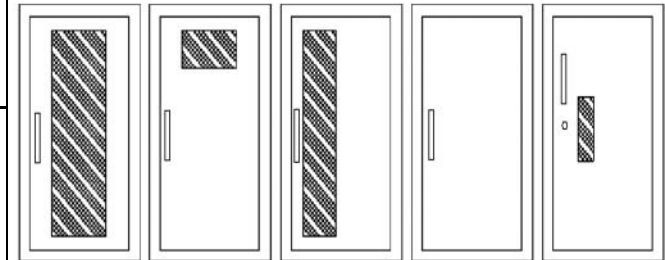


SUBMITTAL: ACADEMY ALUMINUM FIRE EXTINGUISHER CABINETS

TRIM & DOOR SERIES #			Tub I.D.			Frame O.D.		Wall Opening			Fits Extinguishers View Submittal
QTY	Model	Trim Style "	A	B	C	E	F	W	H	D	
	8125	Flat 3/8" Trim •	9	18	5 1/2	12 3/8	21 3/8	10	19	5 3/8	Cosmic & Galaxy 2 1/2-6 (6 lb must be mounted on tub) Mercury 2 1/2- 5
	8126	1 1/2 Square•	9	18	5 1/2	12 3/8	21 3/8	10	19	4 1/8	
	8127	2 1/2 Rolled•	9	18	5 1/2	12 3/8	21 3/8	10	19	3 3/4	
	8123	Surf. Mtd Sq	12 3/16	21 3/16	6	12 3/8	21 3/8	--	--	--	
	1720	2-1/4 Square •	10 1/2	24	5	13 7/8	27 3/8	11 1/2	25	3	
	1825	Flat 3/8" Trim •	10 1/2	24	5 1/2	13 7/8	27 3/8	11 1/2	25	5 3/8	Cosmic & Galaxy 2 1/2-6(6 lb must be mounted on tub) Mercury 2 1/2-5
	1826	1 1/2 Square•	10 1/2	24	5 1/2	13 7/8	27 3/8	11 1/2	25	4 1/8	
	1827	3 Formed Rolled •	10 1/2	24	5 1/2	13 7/8	27 3/8	11 1/2	25	2 5/8	
	1822	4 Rolled/FlushPull•	10 1/2	24	5 1/2	13 7/8	27 3/8	11 1/2	25	2 1/2	
	1828	4 1/2 Rolled	10 1/2	24	5 1/2	13 7/8	27 3/8	11 1/2	25	1-3/4	
	1025	Flat 3/8" Trim •	10 1/2	24	6	13 7/8	27 3/8	11 1/2	25	5 7/8	Cosmic & Galaxy 2 1/2-10 Mercury 2 1/2-5, Sentinel 5
	1026	1 1/2 Square•	10 1/2	24	6	13 7/8	27 3/8	11 1/2	25	4 5/8	
	1027	3 Formed Rolled •	10 1/2	24	6	13 7/8	27 3/8	11 1/2	25	3 1/8	
	1022	4 Rolled/Flush Pull•	10 1/2	24	6	13 7/8	27 3/8	11 1/2	25	3	
	1028	4 1/2 Rolled	10 1/2	24	6	13 7/8	27 3/8	11 1/2	25	2 1/4	
	1023	Surf Mtd. Sq	13 11/16	27 3/16	6 1/2	13 7/8	27 3/8	--	--	--	
	2025	Flat 3/8" Trim •	12	27	7 3/4	15 3/8	30 3/8	13	28	7 5/8	Any Cosmic, Galaxy, Mercury, Saturn or Grenadier P (20 lb must be mounted on back of tub), Sentinel 5 & 10
	2026	1 1/4 Square•	12	27	7 3/4	15 3/8	30 3/8	13	28	6 5/8	
	2027	2 1/2 Rolled•	12	27	7 3/4	15 3/8	30 3/8	13	28	6	
	2022	4 Rolled/Flush Pull•	12	27	7 3/4	15 3/8	30 3/8	13	28	4 3/4	
	2028	4 1/2 Rolled	12	27	7 3/4	15 3/8	30 3/8	13	28	4	
	2023	Surf Mtd. Sq	15 3/16	30 3/16	8 1/4	15 3/8	30 3/8	--	--	--	
	3025	Flat 3/8" Trim •	16	32	7 3/4	19 3/8	35 3/8	17	33	7 5/8	Any Cosmic, Galaxy, Mercury, Saturn or Grenadier P (20 lb must be mounted on back of tub), Sentinel 5-15, 272
	3026	1 1/4 Square•	16	32	7 3/4	19 3/8	35 3/8	17	33	6 5/8	
	3027	2 1/2 Rolled•	16	32	7 3/4	19 3/8	35 3/8	17	33	6	
	3022	4 Rolled/Flush Pull•	16	32	7 3/4	19 3/8	35 3/8	17	33	4 3/4	
	3028	4 1/2 Rolled	16	32	7 3/4	19 3/8	35 3/8	17	33	4	
	3023	Surf Mtd. Sq	19 3/16	35 3/16	8 1/4	19 3/8	35 3/8	--	--	--	
	4025	Flat 3/8" Trim •	20	27	7 3/4	23 3/8	30 3/8	21	28	7 5/8	Two each of: any Cosmic, Galaxy, Mercury, Saturn or Grenadier P (20 lb must be mounted on back of tub), Sentinel 5
	4026	1 1/4 Square•	20	27	7 3/4	23 3/8	30 3/8	21	28	6 5/8	
	4027	2 1/2 Rolled•	20	27	7 3/4	23 3/8	30 3/8	21	28	6	
	4022	4 Rolled/Flush Pull•	20	27	7 3/4	23 3/8	30 3/8	21	28	4 3/4	
	4028	4 1/2 Rolled	20	27	7 3/4	23 3/8	30 3/8	21	28	4	
	4023	Surf Mtd. Sq	23 3/16	30 3/16	8 1/4	23 3/8	30 3/8	--	--	--	



3/8" Flat Trim 1-1/2" Square Trim 2-1/2", 3" Rolled Edge 4" Rolled Edge with Flush Pull Standard



F - Full glass with pull handle
G - Full glass with pull handle above Saf-T-Lok (not shown)
D - Horizontal duo panel with pull handle
E - Horizontal duo panel with pull handle above Saf-T-Lok (not shown)
V - Vertical duo panel with pull handle
W - Vertical duo panel with pull handle above Saf-T-Lok (not shown)
S21 - Solid with pull handle
L22 - Solid with pull handle above Saf-T-Lok
L24 - Solid with cylinder key lock and no handle
B - Small view window with pull handle, and Saf-T-Lok

ADA Cabinet Mounting Height: Standard Pull on G, E, W, L22 and B Door Styles with Saf-T-Lok are 3 5/8" Higher than Door Center, so Allow for that When Mounting Cabinet. Standard Pull with No Lock or Flush Pull are Centered on Door.

• Cabinets that Meet 4" Maximum ADA Projection Requirement

Models shown in **Large Bold** above are available in several door styles for Quick Shipment .