



SUBMITTAL: ACADEMY™ ALUMINUM FIRE EXTINGUISHER CABINETS TRIMLESS MODELS

The Academy Series Features an Aluminum Door, with 10 Door Styles & Optional Anodized Colors. This New Version with Concealed Trim is Designed to be Installed Over Drywall, or Under Plaster for a Flush Finished Surface.

Door Construction: Anodized aluminum finish standard. Flush cabinet doors are attached by a continuous hinge and equipped with zinc-plated handle and roller catch. Recessed flange that will be concealed by drywall, stucco or plaster is 1-1/4" wide. Doors with glazing have 1-1/4" wide trim.

Concealed Flange Style: Drywall bead for installation over drywall (WB style) or plaster flange with stop (PW style) with 3/4" plaster allowance.

Tub: The tub is constructed of cold rolled steel with silver powder-coat finish standard. Tub includes a 1-1/4" wide flange to cover the all opening, and is designed to be concealed by drywall, plaster or stucco.

Fire-Rated Option Available: Yes - See separate Submittal Form. (Note FX version is designed to be installed between layers of drywall).



STEP 1: SELECT MODEL NUMBER AND QUANTITY ON CHART (refer to chart on pg 2)

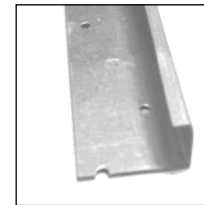
- A. Determine Trim Style according to wall depth.
- B. Determine Tub I.D. according to size most suited for extinguisher and wall opening.

STEP 2: SELECT DOOR STYLE WITH HANDLE

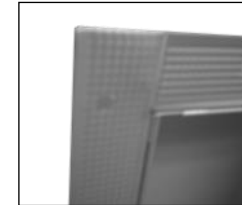
- F** Full Glazing
- G** Full Glazing with SAF-T-LOK™
- D** Horizontal Duo Panel
- E** Horizontal Dual Panel with SAF-T-LOK™
- S21** Solid Door

Check one box below Examples on Page 2

- L22** Solid with SAF-T-LOK™
- L24** Sold with Cylinder Lock - No Handle
- V** Vertical Duo
- W** Vertical Duo with SAF-T-LOK™
- B** Solid with 2" x 4" View Window & SAF-T-LOK™



Plaster Flange



Drywall Bead Flange



STEP 3: SELECT DOOR GLAZING



(Check one box below)

- 10** Clear Acrylic
- 13** Clear Wire Glass with Safety Film
- 15** Bronze Acrylic
- 16** Gray Acrylic
- 17** Clear Tempered Glass
- 18** Laminated Safety Glass

STEP 4: OPTIONAL FEATURES AT ADDED COST (SELECT ANY)

- Futura "Fire" Pull ___ Mill Alum ___ Red ___ White
- Flush Pull Handle
- Polished Chrome Lever Handle (**PUCH**)
- Black Vertical FE Letters **LDCVBFE**
- Red Vertical FE Letters **LDCVRFE**
- White Vertical FE Letters **LDCVWFE**
- Black Horizontal FE Letters **LDCHBFE**
- Red Horizontal FE Letters **LDCHRFE**
- White Horizontal FE Letters **LDCHWFE**
- Black Vertical Decal **LDVBFE**
- Red Vertical Decal **LDVRFE**
- White Vertical Decal **LDVWFE**
- Black Horizontal Decal **LDHBF**
- Red Horizontal Decal **LDHRFE**
- White Horizontal Decal **LDHWFE**
- (CA)** Commander Alarm
- (BA)** Brigadier Alarm
- (SA)** Strobe Alarm (Surface mount models)
- Etched or Engraved Lettering in Glass or Metal
- Powder Coat Paint White ___ Bronze ___ Other

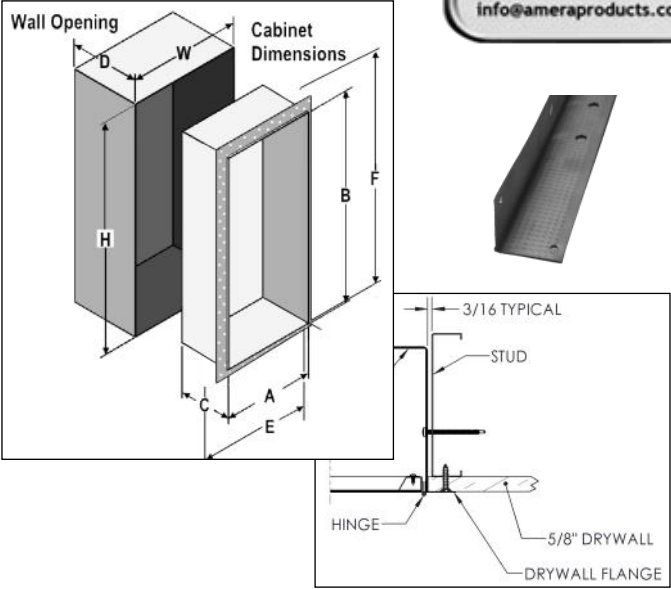
For More Information on Options See Other Submittals: [Decals & Die Cuts](#) & Wall Signs, [Handles & Pulls](#).

 JL INDUSTRIES	 ACADEMY AND SAF-T-LOK ARE TRADEMARKS OF ACPG DOWNLOAD CURRENT SUBMITTAL BEFORE ORDERING	Distributor:	Quantity:
		Contractor:	Approved By:
		Model #:	Architect:
		Project:	Date: © 2017 Activar Construction Products Inc
HEADQUARTERS: 9702 NEWTON AV S, BLOOMINGTON, MN 55431 MANUFACTURING: COMMERCE, CA & BLOOMINGTON MN • WARE HOUSES: FT MYERS FL, ATLANTA GA, DALLAS TX, SEATTLE WA, LANCASTER PA, FARGO ND, OMAHA NE 3/16/2017			

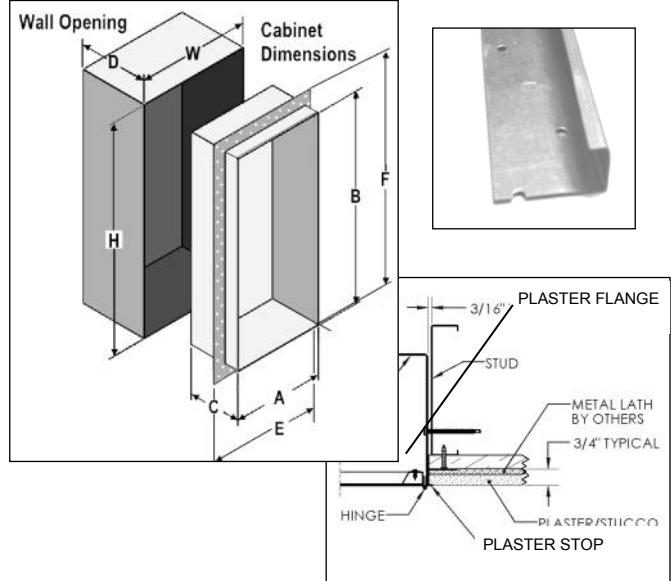
SUBMITTAL: ACADEMY ALUMINUM FIRE EXTINGUISHER CABINETS TRIMLESS MODELS

Distributed by
 www.Ameraproducts.com
 Phone: (800) 608-6568
 Fax: (409) 840-5545
 info@ameraproducts.com

TRIM & DOOR SERIES #			Tub I.D.			Frame O.D.		Wall Opening			Fits Extinguishers
QTY	Model	Trim Style	A	B	C	E	F	W	H	D	
TRIMLESS CABINET WITH WALLBOARD BEAD TRIM FOR INSTALLATION OVER DRYWALL											
Example of Part # 8124WBF10											
	8124WB	Trimless Drywall	9	18	5 1/2	11 1/2	20 1/2	10	19	5 5/8	Cosmic & Galaxy 2 1/2-6 (6 lb must be mounted on tub wall), Mercury 2 1/2- 5
	1024WB	Trimless Drywall	10 5/8	24	6	13	26 1/2	11 1/2	25	6 1/8	Cosmic & Galaxy 2 1/2-10 Mercury 2 1/2-5 , Sentinel 5
	2024WB	Trimless Drywall	12	27	7 3/4	14 1/2	29 1/2	13	28	7 7/8	Any Cosmic or Galaxy (20 lb must be mounted on tub wall), Mercury, Saturn or Grenadier P, Sentinel 5 & 10
TRIMLESS CABINET WITH RECESSED FLANGE FOR INSTALLATION OF 3/4" PLASTER OVER TRIM											
Example of Part # 8124PWF10											
	8124PW	Trimless Plaster	9	18	5 1/2	11 1/2	20 1/2	10	19	5 5/8	Cosmic & Galaxy 2 1/2-6 (6 lb must be mounted on tub wall), Mercury 2 1/2- 5
	1024PW	Trimless Plaster	10 5/8	24	6	13	26 1/2	11 1/2	25	6 1/8	Cosmic & Galaxy 2 1/2-10 Mercury 2 1/2-5 , Sentinel 5
	2024PW	Trimless Plaster	12	27	7 3/4	14 1/2	29 1/2	13	28	7 7/8	Any Cosmic or Galaxy (20 lb must be mounted on tub wall), Mercury, Saturn or Grenadier P, Sentinel 5 & 10

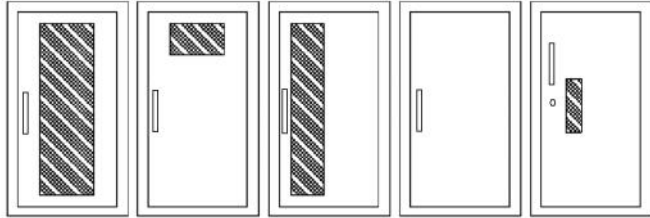


TRIMLESS FLANGE FOR 5/8" DRYWALL



TRIMLESS RECESSED FLANGE FOR 3/4" PLASTER

- Cabinets that Meet 4" Maximum ADA Projection Requirement



F - Full glass with pull handle
 G - Full glass with pull handle and Saf-T-Lok (Not Shown)
 D - Horizontal duo panel with pull handle
 E - Horizontal duo panel with pull handle and Saf-T-Lok. (Not Shown)
 V - Vertical duo panel with pull handle
 W - Vertical duo panel with pull handle and Saf-T-Lok. (Not Shown)
 S21 - Solid with pull handle
 L22 - Solid with pull handle and Saf-T-Lok
 L24 - Solid with cylinder key lock and no handle
 B - Solid with pull handle, view window and Saf-T-Lok

[VIEW ALL DOOR STYLES ONLINE](#)

ADA Cabinet Mounting Height: Standard Pull on G, E, W, L22 and B Door Styles with Saf-T-Lok are 3 5/8" Higher than Door Center, so Allow for that When Mounting Cabinet.
 Standard Pull with No Lock or ADA Recessed Pull are Centered on Door.