

SUBMITTAL: 1400 SERIES AED CABINET—BRONZE & BRASS

Our New 1400 Series in Bronze and Brass to Complement your Building Décor. These Elegant Cabinets are Designed to Accommodate Most AED's on the Market Today and All Models are ADAC-Compliant. US10 Satin Bronze, US10B Oil-Rubbed Bronze or US3 Polished Brass Finishes Available.

Trim Construction: Bronze or brass with 1-3/4" trim on face.

Door: Bronze or brass formed door with 1-3/4" trim, mounted in a 5/8" door stop with pull handle painted to match finish, roller catch and continuous hinge. Theft-deterrent SAF-T-LOK™ available for all door styles—See "G", "E", "W" and "S21" below.

Graphics: F and G styles include graphics on acrylic glazing as shown at right, other door styles include AED decal shown on page 2.

Alarm: 85 db Commander (audible) alarm standard.

Trim Style & Depth: Recessed – 3/8" flat trim, Semi-Recessed – 1-1/2" square edge or 3" square edge.

Tub: White powder-coated CRS. Fire-rated available - See Separate Submittal



**1486F12 Semi-Recessed Cabinet
US10B Finish**



**1445F12 Recessed Cabinet
US10 Satin Bronze Finish**


STEP 2: SELECT DOOR STYLE Check one box below

- | | |
|--|---|
| <input type="checkbox"/> F12 Full Acrylic Glazing; Pull & AED Graphics | <input type="checkbox"/> E17 Horizontal Dual Panel; Tempered, SAF-T-LOK™, Pull & AED Decal |
| <input type="checkbox"/> F17 Full Tempered Glazing; Pull & AED Decal | <input type="checkbox"/> S21 Solid Door; Pull & AED Decal |
| <input type="checkbox"/> G12 Full Glazing; Acrylic, SAF-T-LOK™, Pull & AED Graphics | <input type="checkbox"/> L22 Solid; SAF-T-LOK™, Pull & AED Decal |
| <input type="checkbox"/> G17 Full Glazing; Tempered, SAF-T-LOK™, Pull & AED Decal | <input type="checkbox"/> V12 Vertical Duo; Acrylic Glazing, Pull & AED Decal |
| <input type="checkbox"/> D12 Horizontal Duo Panel; Acrylic, Pull & AED Decal | <input type="checkbox"/> V17 Vertical Duo; Tempered Glass, Pull & AED Decal |
| <input type="checkbox"/> D17 Horizontal Duo Panel; Tempered, Pull & AED Decal | <input type="checkbox"/> W12 Vertical Duo; Acrylic, SAF-T-LOK™, Pull & AED Decal |
| <input type="checkbox"/> E12 Horizontal Dual Panel; Acrylic, SAF-T-LOK™, Pull & AED Decal | <input type="checkbox"/> W17 Vertical Duo; Tempered, SAF-T-LOK™, Pull & AED Decal |

Optional Features at Additional Cost:

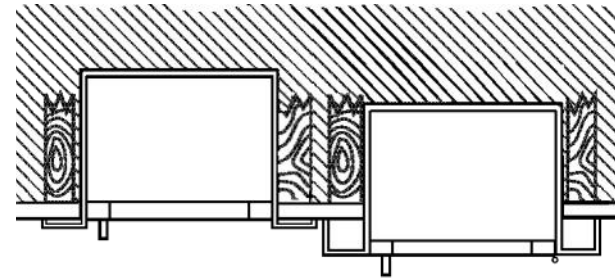
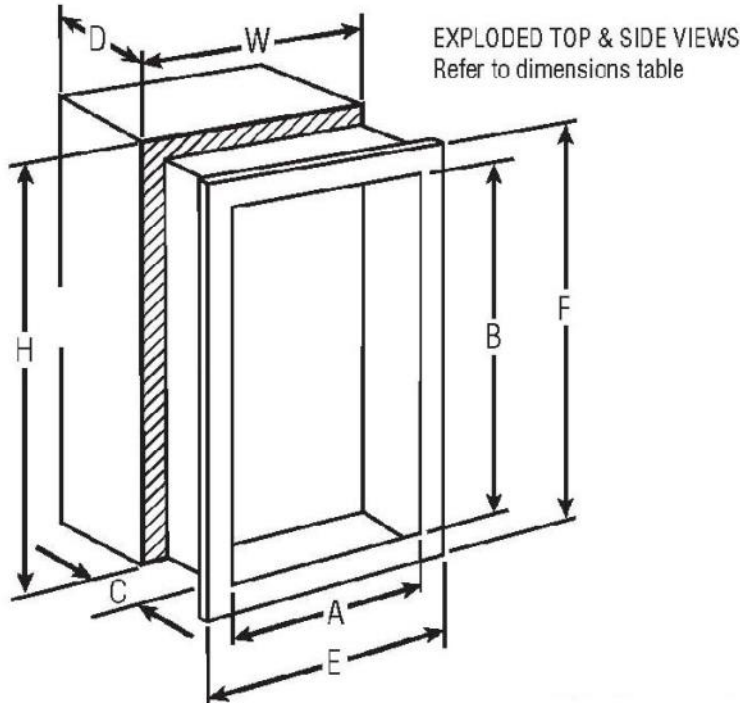
- | | |
|---|--|
| <input type="checkbox"/> (SA) Siren Strobe Alarm and 85 db Alarm (3" Trim Models Only) | <input type="checkbox"/> (14RR) Roller Reed Ball Contact for Existing Alarm Systems |
| <input type="checkbox"/> (STC) Saf-T-Clasp for Visual Notification When Door has been opened | AED Wall Signs 14S 14TX 14XS - See Separate Submittal |
| <input type="checkbox"/> Bronze Door & Trim: US9 Bright Polished. (Pulls painted to match) | Etched or Engraved Lettering in Glass or Metal More Info. |
| <input type="checkbox"/> Bronze Door & Trim: US4 Satin Brass (Pulls painted to match) | Custom Door Graphics available—company logos, photos, etc. Contact C. S. |
| <input type="checkbox"/> (14MAG) Magnetic Door Contact for Existing Alarm Systems | |

[View Brass & Bronze Finishes on Website Here](#)

 ACTIVAR INC. <small>CONSTRUCTION PRODUCTS GROUP</small> 1400FX AND LIFESTART ARE TRADEMARKS OF ACTIVAR <small>PLEASE DOWNLOAD THE MOST CURRENT SUBMITTAL FROM WEBSITE BEFORE ORDERING</small>	Distributor:	Quantity:
	Contractor:	Approved By:
	Model #:	Architect:
	Project:	Date: © Activar Construction Products Group, Inc 2015
HEADQUARTERS & JL INDUSTRIES: 9702 NEWTON AV S, BLOOMINGTON, MN 55431 ACPG WEST COAST/SAMSON: COMMERCE, CA WAREHOUSES: FT MYERS, FL DALLAS TX, LANCASTER PA, ATLANTA GA, CHICAGO, IL, SEATTLE WA, OMAHA NE, FARGO ND 1/14/16		

SUBMITTAL: 1400 SERIES AED CABINET—BRONZE

Distributed by
www.Ameraproducts.com
 Phone: (800) 608-6568
 Fax: (409) 840-5545
info@ameraproducts.com



3/8"
Flat Trim

1-1/2" or 3"
Square Trim

AED Decal 4-1/2" x 1":



TRIM & DOOR MATERIAL & SERIES #							TUB I.D.			FRAME O.D.		WALL OPENING NON-RATED		
QTY	BRONZE US10	QTY	BRONZE US10B	QTY	BRASS US3	TRIM STYLE	A	B	C	E	F	W	H	D
	1445		1485		1455	Flat Trim	14"	14"	6-3/4"	17-3/8"	17-3/8"	15-1/4"	15-1/4"	6-1/2"
	1446		1486		1456	1-1/2" Square Edge	14"	14"	6-3/4"	17-3/8"	17-3/8"	15-1/4"	15-1/4"	5-7/8"
	1447		1487		1457	3" Square Edge	14"	14"	6-3/4"	17-3/8"	17-3/8"	15-1/4"	15-1/4"	4-1/8"