

SUBMITTAL: 1900 SERIES FIRE-FX2™ OLYMPUS™ SERIES AED & OXYGEN CABINET

Protect valuable Automated External Defibrillators (AED's) in this cabinet that provides room for an emergency oxygen tank. Each cabinet is equipped with a 85 dB door alarm to deter tampering. This series in steel, stainless steel or aluminum fits most AED's on the market including those offered by JL Industries. All cabinets meet the 4" maximum ADA projection requirement.

- Trim Construction:** CRS with white powder-coat finish, #4 brushed stainless steel or clear anodized aluminum.
- Trim Style & Depth:** Recessed – 3/8" flat trim, Semi-Recessed – 1½" square edge or 2-1/2", 3" or 4" rolled edge. (4" has recessed pull)
- Door:** Formed door with 1-3/4" trim, mounted in a 5/8" door stop with zinc-plated handle and roller catch and continuous hinge. "AED", "Emergency Oxygen" and "Warning" graphics are enclosed for application in the field.
- Alarm:** 85 dB Commander (audible) alarm standard with keyed on/off switch on the door..
- Tab:** White powder-coated cold rolled steel. Fire-resistant material is attached to the exterior of the tub.
- Oxygen:** Accommodates up to "D" size cylinder. See options below.

Fire Rating: Fire-FX2™ cabinets are UL listed and labeled as an approved membrane penetration firestop system for up to 2 hours in accordance with UL 1479 (ASTM-E814) and CAN/ULC-S115, when properly installed in a wall assembly according to installation instructions.



1915F12FX2
Cabinet with 3/8" Flat Trim
Shown with Optional
Oxygen System and AED

STEP 1: SELECT MODEL NUMBER AND QUANTITY ON CHART (refer to chart on page 2)

- A. Determine Trim Style according to wall depth.
- B. Determine Tub I.D. according to size most suited for contents and wall opening.

STEP 2: SELECT DOOR STYLE Check one box below

- F** Full Glazing
- G** Full Glazing with SAF-T-LOK
- V** Vertical Duo



- W** Vertical Duo with SAF-T-LOK
- S21** Solid Door
- L22** Solid Door with SAF-T-LOK

STEP 3: SELECT GLAZING Check one box below

- 12** Acrylic

- 17** Tempered

Graphics at Right are
Included with Cabinet:
AED Diecut (4-1/2" x 1")

STEP 4: SELECT OPTIONAL FEATURES AT ADDITIONAL COST

- (SA)** Siren Strobe Alarm 110 dB Alarm (3" or 4" Trim Models Only)
- (STC)** Saf-T-Clasp for Visual Notification When Door has been opened
- (14MAG)** Magnetic Door Contact for Existing Alarm Systems
- (14RR)** Roller Reed Ball Contact for Existing Alarm Systems
- Optional Dark Bronze Anodized Aluminum Finish (Pulls painted to match)
- Optional Stainless Steel Finishes ___ #6 ___ #7
- Optional Tub Color: ___ Black ___ Red
- Flush Pull Handle (PRH)

- Polished Chrome Handle (PUCH)
- Optional Color: _____ See page 2 for colors.
- Wall Signs: ___ Flat ___ Tent ___ Rt Angle ___ Bi-Lingual ___ Directional
(See separate submittal for more details on these plastic signs)
- Etched, Silkscreen or Engraved Lettering - Check here and attach separate submittal
Custom Door Graphics - company logos, photos, etc. Contact customer service.
Automated External Defibrillator sold separately - see website
See website for more information on the above options.



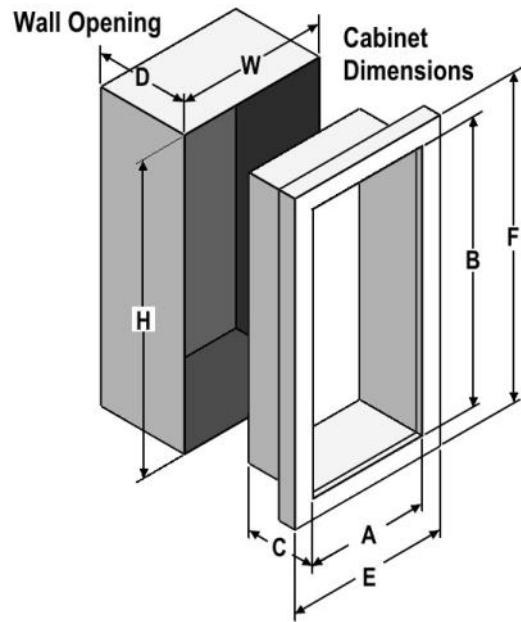
**WARNING
ALARM SYSTEM**

**Emergency
Oxygen**

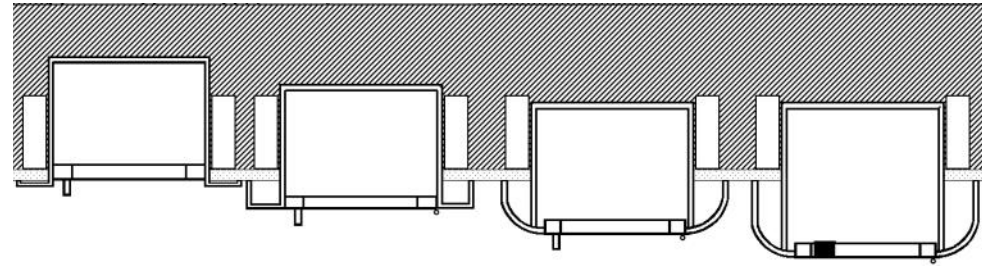


Distributed by
www.Ameraproducts.com
Phone: (800) 608-6568
Fax: (409) 840-5545
info@ameraproducts.com

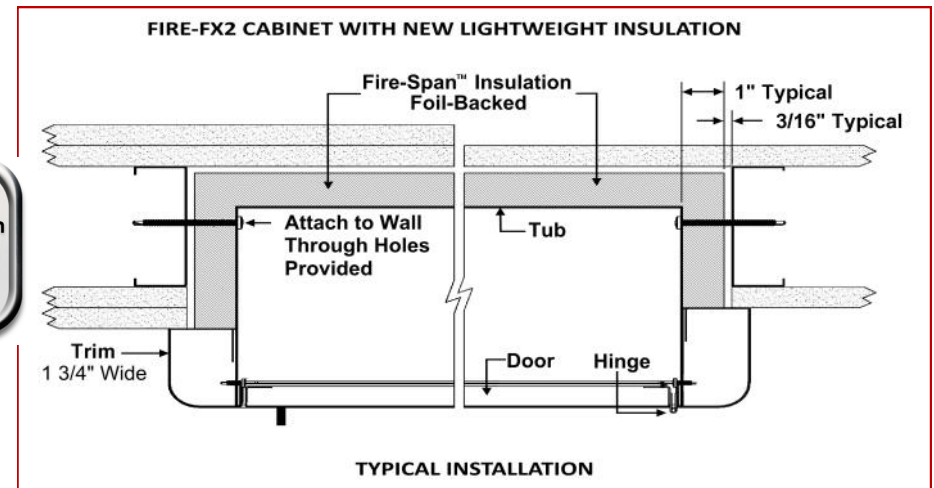
Distributor:	Quantity:
Contractor:	Approved By:
Model #:	Architect:
Project:	Date: © 2023 Activar Construction Products Inc



Lightweight Insulation



3/8" Flat Trim 1-1/2" Square Trim 2-1/2", 3" Rolled Edge 4" Rolled Edge with



TYPICAL INSTALLATION

Distributed by
www.Ameraproducts.com
 Phone: (800) 608-6568
 Fax: (409) 840-5545
info@ameraproducts.com



Optional Colors at Additional Cost - Samples Available

Gray	Red	Black/Flat Black	Silver
Sand	AMS Beige	SC Flat Beige	Bronze

It is the responsibility of the customer to communicate specifications and product performance requirements that are needed for their application. This document is intended to convey potential product configurations and offerings. It is not to be used to imply or represent a specification or rating, of finished products shipped. Detailed, specific submittals can be created upon request. It is the responsibility of the customer to specify product accordingly to comply with local laws, codes, and ordinances.

TRIM & DOOR MATERIAL & SERIES #							TUB I.D.			FRAME O.D.		FX Wall Opening		
QTY	STEEL	QTY	ALUMINUM	QTY	STAINLESS STEEL	TRIM STYLE	A	B	C	E	F	W	H	D
	1915_FX2		1925_FX2		1935FX2	3/8" Flat Trim	18"	18"	8"	21-3/8"	21-3/8"	20 5/16"	20 5/16"	9"
	1916_FX2		1926_FX2		1936FX2	1-1/2" Square Trim	18"	18"	8"	21-3/8"	21-3/8"	20 5/16"	20 5/16"	8"
	1917_FX2	--	--		1937FX2	3" Rolled Trim	18"	18"	8"	21-3/8"	21-3/8"	20 5/16"	20 5/16"	6-1/4"
--	--		1927_FX2	--	--	2-1/2" Rolled Trim	18"	18"	8"	21-3/8"	21-3/8"	20 5/16"	20 5/16"	7-3/8"
	1912_FX2	--	--		1932FX2	4" Rolled Trim w/Recessed Pull	18"	18"	8"	21-3/8"	21-3/8"	20 5/16"	20 5/16"	5-1/2"
--	--		1922_FX2	--	--	4" Rolled Trim w/Recessed Pull	18"	18"	8"	21-3/8"	21-3/8"	20 5/16"	20 5/16"	6-1/8"