

# SUBMITTAL: 1900 SERIES OLYMPUS AED & OXYGEN CABINET

Protect valuable Automated External Defibrillators (AED's) in this cabinet that provides room for an emergency oxygen tank. Each cabinet is equipped with a 85 dB door alarm to deter tampering. This series in steel, stainless steel or aluminum fits most AED's on the market including those offered by JL Industries.

**Trim Construction:** CRS with white powder-coat finish, #4 brushed stainless steel or clear anodized aluminum.  
**Trim Style & Depth:** *Recessed* – 3/8" flat trim, *Semi-Recessed* – 1½" square edge or 2-1/2", 3" or 4" rolled edge. 4" rolled edge has recessed pull. *Surface-mount* models have either square or rolled edge.  
**Door:** Formed door with 1-3/4" trim, mounted in a 5/8" door stop with zinc-plated handle and roller catch and continuous hinge. "AED", "Emergency Oxygen" and "Warning" graphics enclosed for application in the field.  
**Alarm:** 85 dB Commander (audible) alarm standard with keyed on/off switch on the door.  
**Tub:** White powder-coated cold rolled steel. Fire-rated available - See Separate Submittal  
**Oxygen:** Accommodates up to "D" size cylinder. See options below.  
**Fire-Rated Option:** Yes - See separate submittal.



1913F12 Cabinet  
Shown with Optional  
Oxygen System and AED

**STEP 1: SELECT MODEL NUMBER AND QUANTITY ON CHART** (refer to chart on page 2)

A. Determine Trim Style according to wall depth. B. Determine Tub I.D. according to size most suited for contents and wall opening.

**STEP 2: SELECT DOOR STYLE** Check one box below

- F** Full Glazing
- G** Full Glazing with SAF-T-LOK
- V** Vertical Duo



- W** Vertical Duo with SAF-T-LOK
- S21** Solid Door
- L22** Solid Door with SAF-T-LOK

**STEP 3: SELECT GLAZING** Check one box below

- 12** Acrylic

- 17** Tempered

Graphics at Right are  
Included with Cabinet:  
AED Diecut (4-1/2" x 1")

**STEP 4: SELECT OPTIONAL FEATURES AT ADDITIONAL COST**

- (SA)** Siren Strobe Alarm 110 dB Alarm (3 & 4" Trim & Surface-Mount Models)
- (STC)** Saf-T-Clasp for Visual Notification When Door has been opened
- (14MAG)** Magnetic Door Contact for Existing Alarm Systems
- (14RR)** Roller Reed Ball Contact for Existing Alarm Systems
- Optional Dark Bronze Anodized Aluminum Finish (Pulls painted to match)
- Optional Stainless Steel Finishes \_\_\_ #6 \_\_\_ #7
- Optional Tub Color: \_\_\_ Black \_\_\_ Red
- Optional Tub Material \_\_\_ Stainless \_\_\_ Aluminum
- Flush Pull Handle (PRH)

- Polished Chrome Handle (PUCH)
- Optional Color: \_\_\_\_\_ See page 2 for colors.
- Wall Signs: \_\_\_ Flat \_\_\_ Tent \_\_\_ Rt Angle \_\_\_ Bi-Lingual \_\_\_ Directional  
(See separate submittal for more details on these plastic signs)
- Etched, Silkscreen or Engraved Lettering - Check here and attach separate submittal to order.  
Custom Door Graphics - company logos, photos, etc. Contact customer service.  
Automated External Defibrillator sold separately - see website  
**See website for more information on the above options.**



WARNING  
ALARM SYSTEM

**Emergency  
Oxygen**

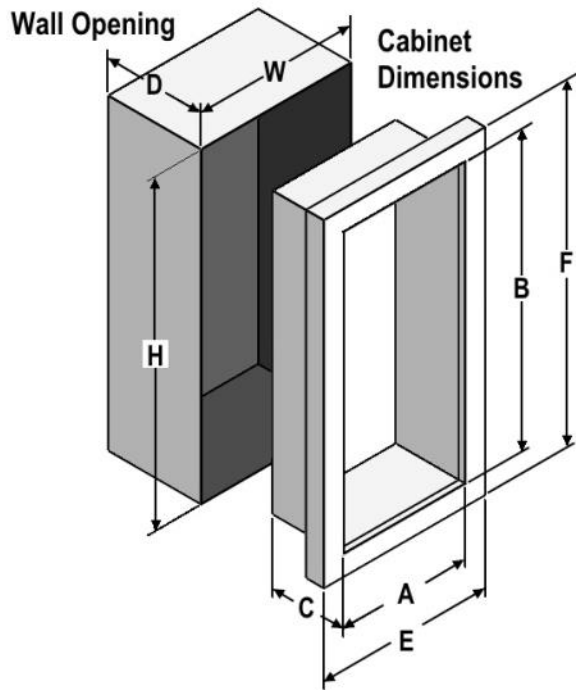


Distributed by  
**www.Ameraproducts.com**  
Phone: (800) 608-6568  
Fax: (409) 840-5545  
info@ameraproducts.com

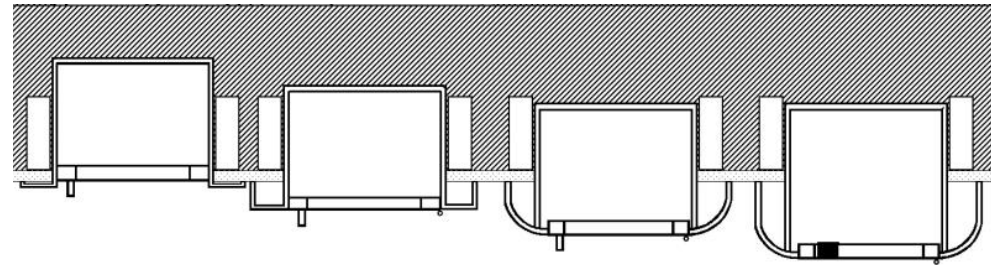
Distributor:	Quantity:
Contractor:	Approved By:
Model #:	Architect:
Project:	Date: © 2023 Activar Construction Products Group, Inc.

HEADQUARTERS: 9702 NEWTON AV S, BLOOMINGTON, MN 55431

MANUFACTURING: COMMERCE, CA & BLOOMINGTON MN • WAREHOUSES: SEE LOCATIONS ON WEBSITE 6/6/2023



Distributed by  
**www.Ameraproducts.com**  
 Phone: (800) 608-6568  
 Fax: (409) 840-5545  
 info@ameraproducts.com



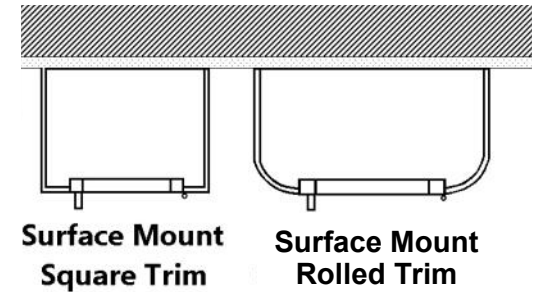
**3/8" Flat Trim**

**1-1/2" Square Trim**

**2-1/2", 3" Rolled Edge**

**4" Rolled Edge with Recessed Pull**

Optional Colors at Additional Cost - Samples Available			
Gray	Red	Black/Flat Black	Silver
Sand	AMS Beige	SC Flat Beige	Bronze



**Surface Mount Square Trim**

**Surface Mount Rolled Trim**

It is the responsibility of the customer to communicate specifications and product performance requirements that are needed for their application. This document is intended to convey potential product configurations and offerings. It is not to be used to imply or represent a specification or rating, of finished products shipped. Detailed, specific submittals can be created upon request. It is the responsibility of the customer to specify product accordingly to comply with local laws, codes, and ordinances.

TRIM & DOOR MATERIAL & SERIES #						TUB I.D.			FRAME O.D.		WALL OPENING NON-RATED					
QTY	STEEL	QTY	ALUMINUM	QTY	STAINLESS STEEL	TRIM STYLE			A	B	C	E	F	W	H	D
	1915		1925		1935	3/8" Flat Trim●			18"	18"	8"	21-3/8"	21-3/8"	19"	19"	7-7/8"
	1916		1926		1936	1-1/2" Square Trim●			18"	18"	8"	21-3/8"	21-3/8"	19"	19"	6-5/8"
	1917	--	--		1937	3" Rolled Trim●			18"	18"	8"	21-3/8"	21-3/8"	19"	19"	5-1/8"
--	--		1927	--	--	2-1/2" Rolled Trim●			18"	18"	8"	21-3/8"	21-3/8"	19"	19"	6-1/4"
	1912	--	--		1932	4" Rolled Trim w/Recessed Pull●			18"	18"	8"	21-3/8"	21-3/8"	19"	19"	4-3/8"
--	--		1922	--	--	4" Rolled Trim w/Recessed Pull●			18"	18"	8"	21-3/8"	21-3/8"	19"	19"	5"
	1913		1923		1933	Surface Mount Square Trim			21-3/16"	21-3/16"	8-1/2"	21-3/8"	21-3/8"	--	--	--
	1919	--	--		1939	Surface Mount Rolled Trim			21-3/16"	21-3/16"	8-1/2"	21-3/8"	21-3/8"	--	--	--

● Cabinets that Meet 4" Maximum ADA Projection Requirement