

SUBMITTAL: 1483 SERIES FREESTANDING SERIES AED CABINET

This Decorative Series is Designed to Accommodate all AED's on the Market Today. Cabinet is Mounted in an Attractive, Freestanding Frame. Create Your Own Look by Selecting from Steel or Aluminum and Combining Colors of Stand and Cabinet. See Page 2 for Examples.

Trim & Tub Construction: CRS or clear anodized aluminum, with white or silver powder-coat finish. 1-3/4" (44.45 mm) trim on frame.
Door: Formed door with 1-14" (31.75 mm) trim, mounted in a 5/8" (15.88mm) door stop with zinc-plated handle, roller catch & continuous hinge. F and G styles include graphics on acrylic glazing as shown at right, other door styles include AED decal. Theft-deterrent SAF-T-LOK™ available for all door styles.
Frame: Steel tube 1.90" x .145 wall thickness, welded to an oval shaped base: 22" x 20" (558.8 x508 mm). Overall height is 52"(1320.8 mm).
Alarm: 85 db Commander (audible) alarm standard.

STEP 1: SELECT MODEL:

QTY	MODEL	TUB I.D.			CABINET FRAME O.D.	
		A	B	C	E	F
	1483	17-3/8" (441 mm)	15" (381 mm)	7" (177 mm)	17-1/2" (444.5 mm)	15-1/8" (384.1mm)

STEP 2: SELECT DOOR STYLE Check one box below

- F Full Glazing
- G Full Glazing with SAF-T-LOK
- S21 Solid Door
- L22 Solid Door with SAF-T-LOK

STEP 3: SELECT GLAZING Check one box below

- 12 Acrylic
 - 17 Tempered
- Note:** Only F12 and G12 combinations have large AED heart silk screen graphics - All others include AED diecut lettering as shown below

STEP 4: SELECT COLOR Check one box below

- White Powder Coat
- Silver Powder Coat (SI)

STEP 5: SELECT OPTIONAL FEATURES AT ADDITIONAL COST:

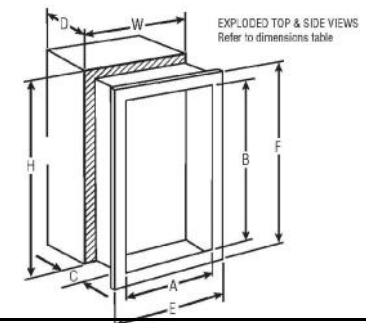
- (SA) Siren Strobe Alarm and 110 db Alarm (stays on for 2 min. after door shut)
 - (STC) Saf-T-Clasp for Visual Notification When Door has been opened
 - (14MAG) Magnetic Door Contact for Existing Alarm Systems
 - (14RR) Roller Reed Ball Contact for Existing Alarm Systems
 - (BA) Brigadier audible alarm (stays on for 2 min. after door shut)
 - Wall Signs: __ Flat __ Tent __ Rt Angle __ Bi-Lingual __ Directional
 - Optional Color: _____ See page 2 for colors.
 - Stainless Steel #4 Finish
 - Anodized Aluminum
- Custom Door Graphics available—company logos, photos, etc. Contact customer service.



AED Diecut Lettering for S21, L22, F17, G17



1483F12SI in Silver Finish



		Distributor:	Quantity:
		Contractor:	Approved By:
		Model #:	Architect:
		Project:	Date: © 2023 Activar Construction Products Group, Inc
<p>HEADQUARTERS: 9702 NEWTON AV S, BLOOMINGTON, MN 55431 MANUFACTURING: COMMERCE, CA & BLOOMINGTON MN • WAREHOUSES: SEE MULTIPLE US WAREHOUSE LOCATIONS ON WEBSITE 2/6/2023</p>			



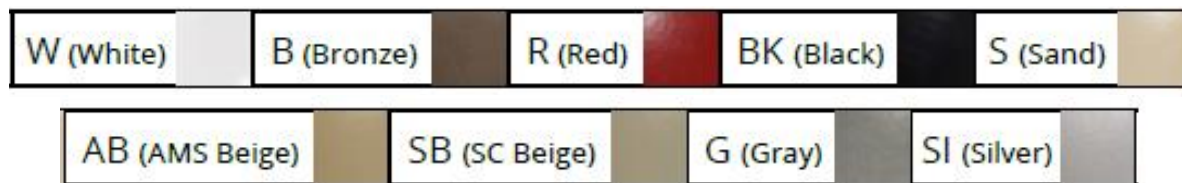
1483 with Optional Black Frame



1483 with Optional Red Cabinet/White Frame & Siren Strobe Alarm



1483F12SASI with Optional Siren Strobe Alarm



Distributed by
www.Ameraproducts.com
Phone: (800) 608-6548
Fax: (409) 840-3542
info@ameraproducts.com