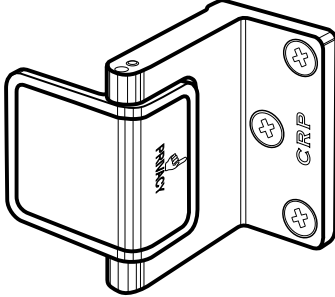
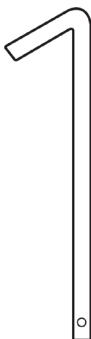
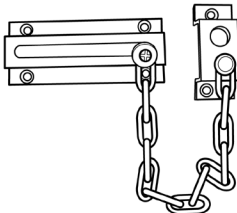
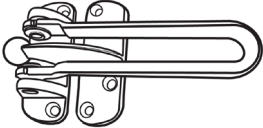
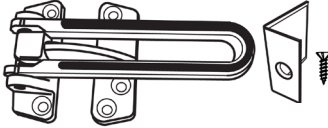
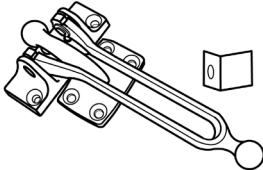



DOOR GUARDS

ILLUSTRATION	ITEM NO	DESCRIPTION	FINISH	INNER QTY	MASTER QTY
	HPDL258	Privacy Door Latch Material: Zinc Die Cast Height: 2 1/8" Width (Base): 1 1/2" Weight: 0.65 lbs/unit Opening Angle: 87°	US3, 4, 10B, US26, 26D, US19 NEW FINISH	10	50
	PDL-200 NEW ITEM	Privacy Door Latch Disengage Tool, Material: Steel Height: 9 1/2" Width: 1/2" Hook Length: 2 1/2" Thickness: 0.016" (0.4mm)	No Finish	1	50
	DG22	Solid Brass Chain Door Guard, 6 3/4" Chain BHMA L03041	US3 US5, 26	20	200
	BBDHG88	Zinc Diecast Swing Bar Door Guard With Ball Bearing	US3, 4, US5, 10B, US26, 26D	10	100
	PDG88	Diecast Swing Bar Door Guard With Ball Bearing and Protective Rubber Insert On Both Sides Of Arms	US3, 4, US26, 26D, US10B	10	100
	SBDG00	Solid Brass Door Guard Packed With Angle Protector. Comparable to IVES 482B, Arm length 4 3/4". With Ball Bearing ANSI / BHMA L03041	US26D US3, 26, US4, 10B	10	100
	DAP77	Door Angle Protector with Adhesive and Individual Screw for secure mounting. To be used with BDHG88 and PDG88 Door Guards.	US3, 4, 5, US26, 26D, US10B	1	200