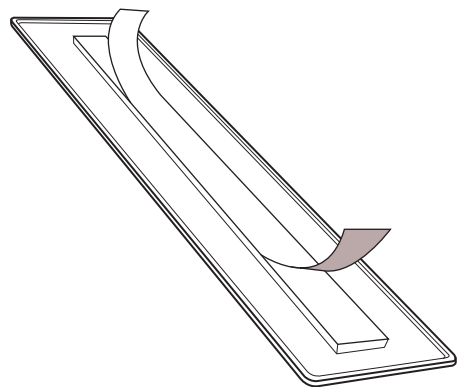


- Tactile Characters & Grade 2 Braille
- Meets size and placement specification
- Double face tape for easy installations
- 9/64" thick injection molded polymer plastic
- 1/32" raised height of characters and pictograms
- Individually poly bagged
- Available in blue and black
- Packed 10 pieces per inner box
- 100 pieces per master carton



Distributed by  
[www.Ameraproducts.com](http://www.Ameraproducts.com)  
 Phone: (800) 608-6568  
 Fax: (409) 840-5545  
[info@ameraproducts.com](mailto:info@ameraproducts.com)

ITEM NO.:	DESCRIPTION:	SCALE:
<b>CAW1348</b>	CALIFORNIA APPROVED RESTROOM AND EXIT SIGNS	NOT TO SCALE
ANSI:	UNIT:	VERSION:
-----	inches	ver. 1.0 rev. 01/12
		BY:
		adg