

MODERN HOSPITAL DOUBLE PULL ARM

Features

- Hands-free door pull to help against the spread of Corona Virus
- with Microban Anti-Microbial Coating
- Packed with thru-bolt and finish washer for 1 3/4" thick doors
- Includes guide sticker

Material

- Aluminum

Dimensions

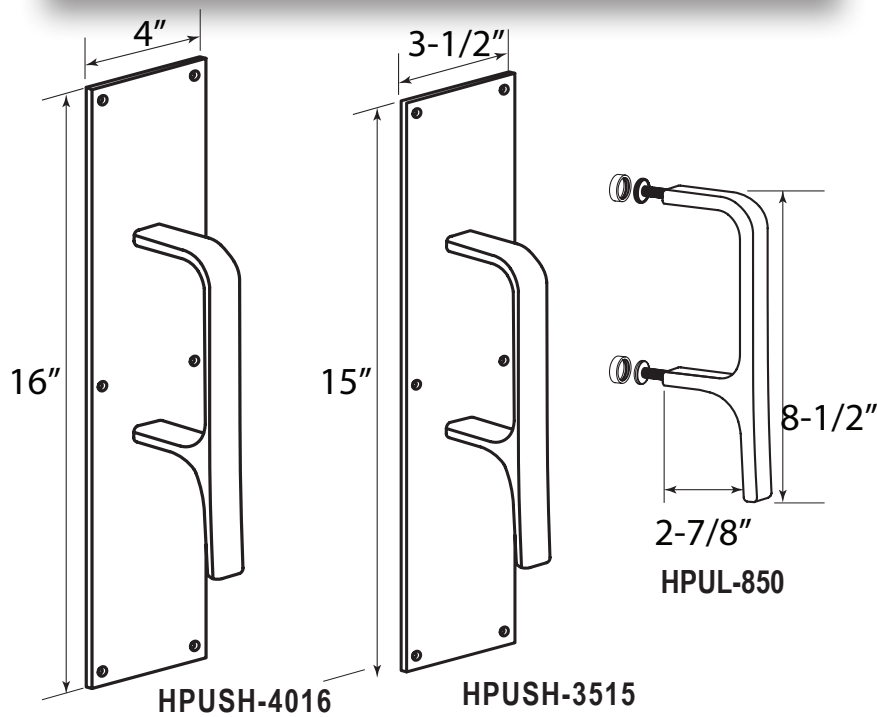
- **HPUL-850** (8 1/2" x 1", 5 1/4" CTC)
Material Size: 3/8" x 1"
Projection: 3 3/4"
- **HPUSH-3515**
Push Plate Size: 0.050" x 3 1/2" x 15"
- **HPUSH-4016**
Push Plate Size: 0.050" x 4" x 16"

Finishes

- **HPUL-850**
 - **US1** - Black
 - **US15** - Satin Nickel
 - Non-stock finishes available with factory lead time and subject to minimum order quantity. Consult Factory.
- **HPUSH-3515 / HPUSH-4016**
 - **US1** - Black
 - **US32D**- Satin Stainless Steel

Code Compliance

- Meets ANSI 156.6 for J401 Pulls



HANDS-FREE DOOR PULL

Features

- *Hands-free door pull to help against the spread of Corona Virus*
- Prevents cross-contamination
- Perfect for offices, commercial, and industrial buildings
- Ensuring a healthy and safe surroundings
- Easy installation

Material

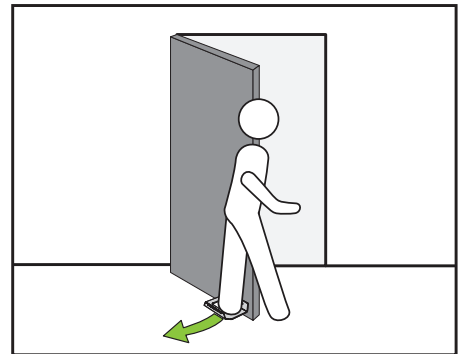
- Aluminum

Dimensions

- **HFPUL-22**
Size: 2" x 2 3/4"
Projection: 3"
Gauge: 1/8"
- **HFPUL-41**
Size: 4 3/8" x 1 1/8"
Projection: 3 1/16"
Gauge: 1/8"

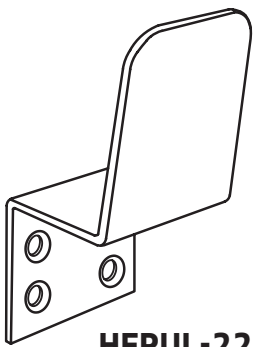
Finishes

- **HFPUL-22**
 - US1 - Black
 - ALUM
- **HFPUL-41**
 - US1 - Black

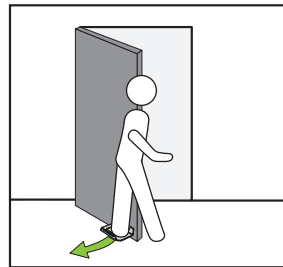


HELP AGAINST THE SPREAD OF CORONA VIRUS!

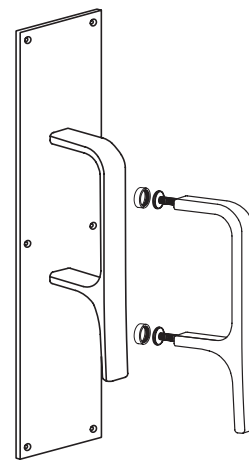
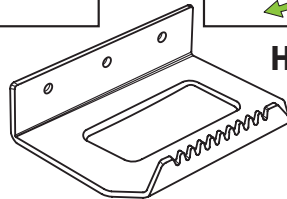
- ✓ Hands-free door pull to help against the spread of Corona Virus
- ✓ Prevents cross-contamination
- ✓ Perfect for offices, commercial, and industrial buildings
- ✓ Ensuring a healthy and safe surroundings
- ✓ Easy installation



HFPUL-22



HFPUL-41



HPUL-850

HPUSH-3515 / HPUSH-4016

ITEM #	DESCRIPTION	FINISH	IP QTY	MC QTY
HFPUL-22	Hands-Free WRIST Door Pull	ALUM US1	1	80
HFPUL-41	Hands-Free FOOT Door Pull	US1		
HPUL-850	Modern Hospital Double Pull Arm with Microban Anti-Microbial Coating	US15	1	25
		US1		
		NON-STOCK		
HPUSH-3515	Modern Hospital Double Pull Arm with Push Plate; 0.050" x 3 1/2" x 15"	US32D	1	25
		US1		
HPUSH-4016	Modern Hospital Double Pull Arm with Push Plate; 0.050" x 4" x 16"	US32D	1	25
		US1		