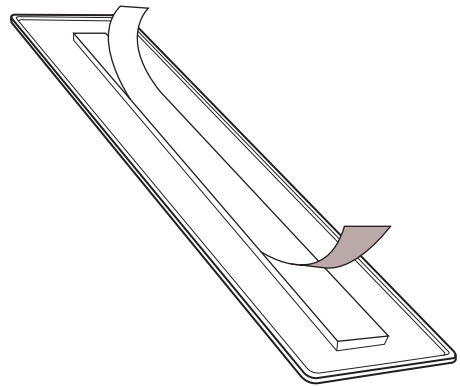


- Tactile Characters & Grade 2 Braille
- Meets size and placement specification
- Double face tape for easy installations
- 9/64" thick injection molded polymer plastic
- 1/32" raised height of characters and pictograms
- Individually poly bagged
- Available in blue and black
- Packed 10 pieces per inner box
- 100 pieces per master carton



Distributed by
www.AmeraProducts.com
 Phone: (800) 608-6568
 Fax: (409) 840-5545
info@ameraproducts.com

ITEM NO.:		DESCRIPTION:		SCALE:	
CARS1348		CALIFORNIA APPROVED RESTROOM AND EXIT SIGNS		NOT TO SCALE	
ANSI:	UNIT:	VERSION:	BY:		
-----	inches	ver. 1.0 rev. 01/12	adg		