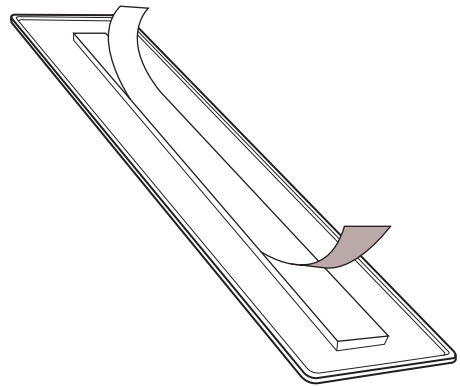


- Tactile Characters & Grade 2 Braille
- Meets size and placement specification
- Double face tape for easy installations
- 9/64" thick injection molded polymer plastic
- 1/32" raised height of characters and pictograms
- Individually poly bagged
- Available in blue and black
- Packed 10 pieces per inner box
- 100 pieces per master carton



Distributed by www.AmeraProducts.com Phone: (800) 608-6568 Fax: (409) 840-5545 info@ameraproducts.com	ITEM NO.:	DESCRIPTION:	SCALE:
	CAM1348	CALIFORNIA APPROVED RESTROOM AND EXIT SIGNS	NOT TO SCALE
	ANSI:	UNIT:	VERSION:
-----	inches	ver. 1.0 rev. 01/12	adg