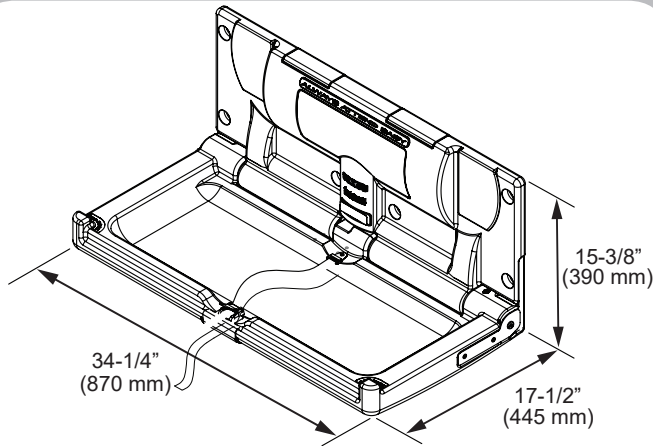




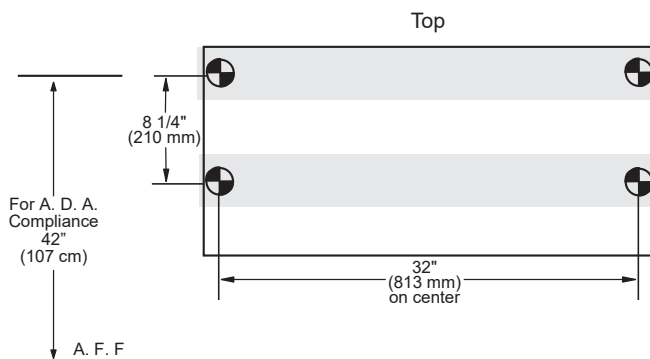
Foundations®
BABY CHANGERS MADE BY BABY EXPERTS.™

Submittal Sheet

Model 100-EH, 5210089 Horizontal Diaper Changing Station



Recommended Blocking



Short Specifications

Polyethylene Diaper Changing Stations:

1. Acceptable product: Foundations Worldwide, Inc.; Model 100-EH or 5210089.

2. Characteristics:

- a. Type: Molded FDA approved high-density polyethylene (HDPE) body.
- b. Child protection strap featuring cam-buckle which is adjustable with one hand.
- c. Warning labels printed in English, Spanish and French.
- d. Meets ASTM F2285 requirements for weight bearing Commercial Changing Stations.

3. A.D.A. Compliance:



- 306.3 Knee Clearance
 - 307.2 Maximum Protruding Objects
 - 308.2 Forward Reach
 - 308.3 Side Reach
 - 309.4 Operation
 - 902.3 Work Surface
- Compliant when properly installed.

4. ANSI compliant safety labels.

5. CPSIA compliant to applicable sections.

- Easy to clean, high-density polyethylene which is naturally bacteria resistant.
- Standard with molded-in dual liner dispensers.
- Each liner dispenser holds approximately 50 of the 036-LCR or 036-NWL liners.
- Smooth nylon belt with Thermoplastic Polyurethane coating. Easy to sanitize and adjustable with one hand.
- Convenient bag hooks clearly labeled on both sides.
- Easy to read ANSI compliant labels (ANSI Z535.3 and ANSI Z535.4), utilizing universal safety symbols.
- Compact, slim profile meets A.D.A. when properly installed. Only protrudes 4 inches or 102 mm from wall.
- Includes universal changing station door sign.
- Pneumatic gas shock mechanism to ensure smooth, safe open and close motions.
- Steel-to-steel support hinges.
- Includes easy to install, step-by-step instructions plus all mounting hardware.
- ASTM G21 Anti-Bacterial: No measurable bacterial growth.
- Meets or exceeds ASTM F2285 Safety Specifications for Commercial Changing Stations.
- Standard pack: 1 unit.
- Limited Warranty: This product is warranted against manufacturing defects for a period of 5 years.

Installation Information

- Closed unit projects less than 4 inches (101 mm) from wall.
- Open changing surface projects 17-1/2 inches (445 mm) from wall during use.
- Overall closed dimensions are 34-1/4 inches (870 mm) wide and 15-3/8 inches (390 mm) tall.
- Hardware allows for mounting to current or new construction applications.