

□ Model P10-636 — Turn Knob Key

Product Materials

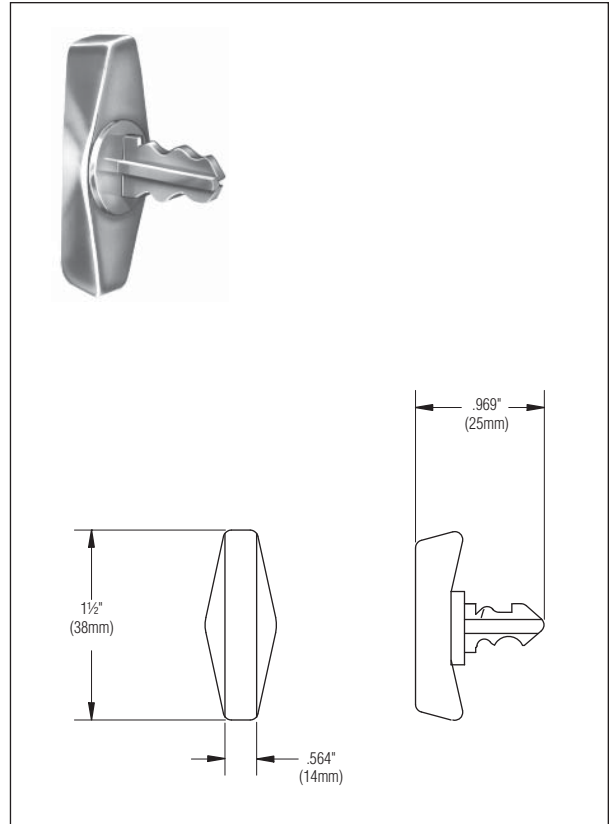
Zinc die cast with satin chrome finish.

Operation

Fits into any Bradley washroom accessory external lock and cannot be removed. Acts as a permanent turn knob in lieu of key.

Guide Specification

Turn knob key shall be zinc die cast with satin chrome finish and shall be furnished for operation of Bradley Washroom Accessory Models.



Washroom Accessories
Document No. 8000

This information is subject to change without notice.

Always consult local and national codes for proper installation guidelines. Conformity and compliance to local and national codes is the responsibility of the installer.

3-1-2010

Distributed by
www.Ameraproducts.com
Phone: (800) 608-6568
Fax: (409) 840-5545
info@ameraproducts.com