

Installation Instructions

Waste Receptacle Liners

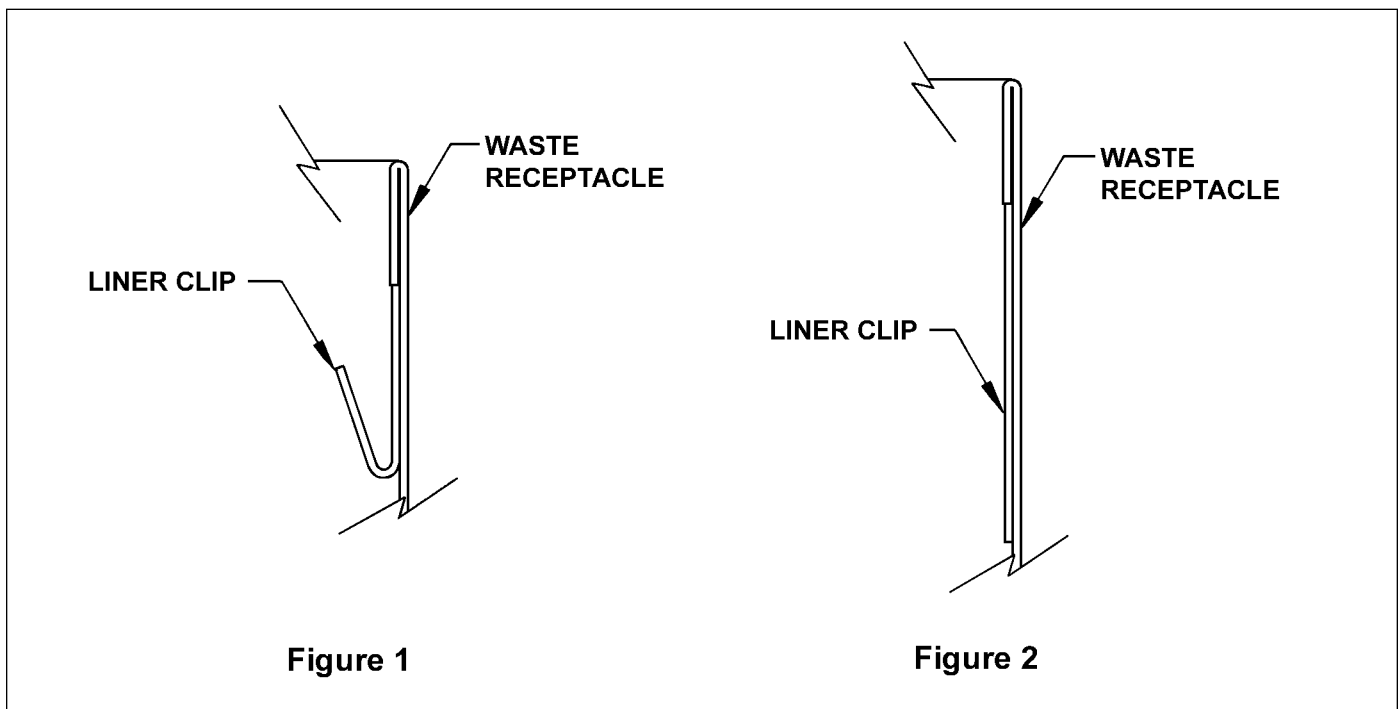
Part Nos. P11-001, P11-003, P11-004, P11-005, P11-006, P11-007, P11-009, P11-014, P11-015, P11-019 & P11-020

Installation Instructions

⚠ IMPORTANT: If your waste receptacle has hooks for a liner with grommets (as shown in Figure 1), bend the liner clips down with a set of pliers (as shown in Figure 2).

1. Using alcohol rub supplied, clean the surface of the waste receptacle where the hook-and-loop fastener is to be applied.
2. Insert the new vinyl-coated nylon liner into the waste receptacle, aligning the corners of the liner with the corners of the receptacle.
3. Peel the plastic backing off the hook-and-loop fastener and attach the liner to the receptacle.

NOTE: Wait 24 hours for hook-and-loop fastener to cure before using the waste receptacle.



Bradley 