

- Model 4A00 — Recessed **Bradex**<sup>®</sup> (recesses 3<sup>3</sup>/<sub>4</sub>" ; projects 2")
- Model 4A00-10 — Semi-Recessed **Bradex**<sup>®</sup> (recesses 2" ; projects 3<sup>3</sup>/<sub>4</sub>" )

Diplomat Series

### Product Materials

**FLANGE:** 0.030-inch/22ga.-(0.76 mm) stainless steel with exposed surfaces in architectural satin finish. One-piece seamless construction, 5/8" wide with 1/4" return.

**CABINET:** 0.030-inch/22ga.-(0.76 mm) stainless steel with exposed surfaces in architectural satin finish. All welded construction matching curvature to other Bradley Diplomat washroom accessories.

**PUSH FLAP DOOR:** Fabricated of heavy gauge stainless steel with exposed surfaces in architectural satin finish. Heavy-duty stainless steel piano hinge and tumbler locks keyed like other Bradley units. Self-closing flap door.

### Capacity

1.5 gal (0.2 cu. ft.)

### Operation

Waste container removable from one side with finger grip.

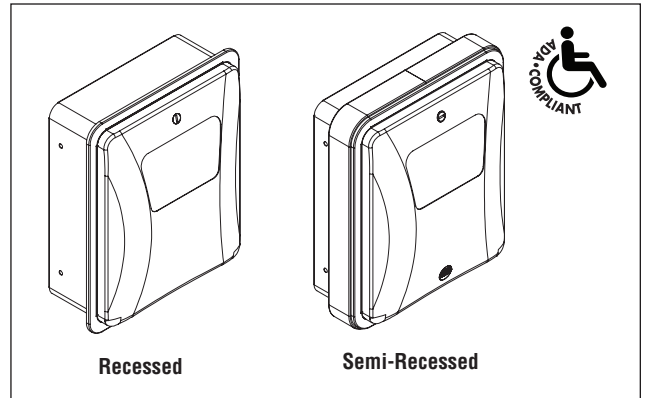
### Installation

Verify all rough-in dimensions prior to installation. Requires partition opening 11<sup>1</sup>/<sub>4</sub>"W x 13<sup>3</sup>/<sub>4</sub>"H x 4"D (Semi-recessed unit only 2"D). Secure unit to framing with mounting screws (not included) at holes provided. Shim at screw points as required.

### Guide Specification

Wall-mounted, single-sided [recessed] [semi-recessed] napkin/tampon disposal unit with self-trimming flange, with face formed with contemporary contours, radii, and finish matching related accessories in manufacturer's designer series. Capacity 1.5 gal (0.2 cu. ft.). Equipped with push flap door with concealed hinges, hinged drop-down service door with keyed tumbler lock, and removable waste container. Universal keying. Formed from stainless steel sheet with satin finish on exposed surfaces, fully welded, with seamless corners and burr-free edges: cabinet, flange, and waste container 0.030-inch / 22-ga. thick; door 0.036-inch / 20-ga. thick.

**Overall dimensions: 12<sup>5</sup>/<sub>16</sub>"W x 14<sup>13</sup>/<sub>16</sub>"H x 5<sup>3</sup>/<sub>4</sub>"D.**



**MasterFormat Title:** Commercial Toilet Accessories

**MasterFormat Number:** 10 28 13.13

**OmniClass Title:** Toilet and Bath Specialties

**OmniClass Code:** 23.31.25.00

### ADA Compliant

- Consult local and national accessibility codes for proper installation guidelines.
- Conformity and compliance to local and national codes is the responsibility of the installer.

**For information on Warranties, Maintenance and BAA/ARRA**

**Distributed by**

**[www.AmeraProducts.com](http://www.AmeraProducts.com)**

**Phone: (800) 608-6568**

**Fax: (409) 840-5545**

**[info@ameraproducts.com](mailto:info@ameraproducts.com)**

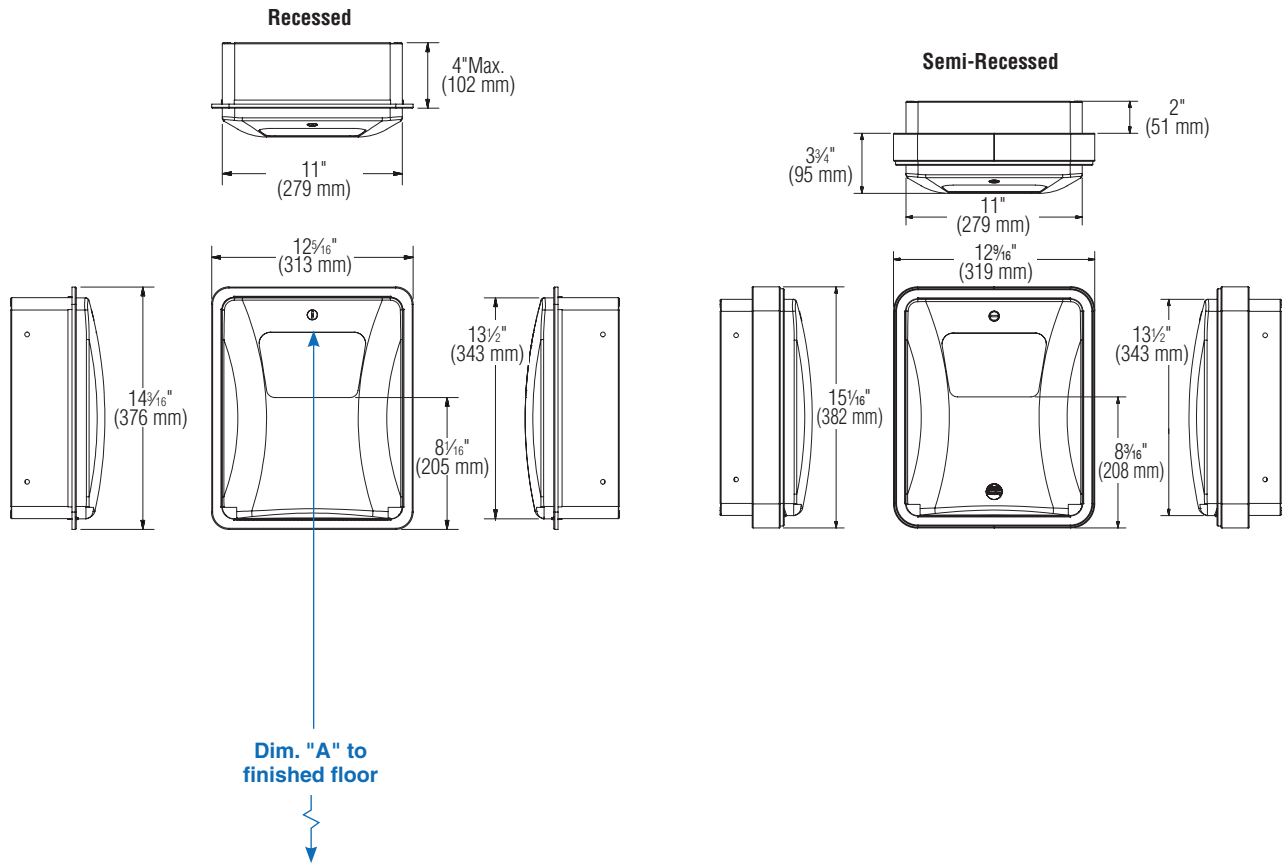
**Washroom Accessories  
Document No. 9412**

Page 1 of 2

This information is subject to change without notice.

Always consult local and national codes for proper installation guidelines. Conformity and compliance to local and national codes is the responsibility of the installer.

### Dimensions



<b>Dim. "A" Key Surface:</b>	For Dim. "A"	Locate Top of Rough Wall Opening	Locate Bottom of Rough Wall opening
<b>Top of Door (4" Door Opening) to finished floor</b>	48" (1219mm)	50" (1270mm)	36 1/4" (921mm)
	40" (1016mm)	42" (1067mm)	28 1/4" (718mm)
	32" (813mm)	34" (864mm)	20 1/4" (514mm)
	24" (610mm)	26" (660mm)	12 1/4" (311mm)

**Washroom Accessories  
Document No. 9412**

Page 2 of 2

This information is subject to change without notice.

Always consult local and national codes for proper installation guidelines. Conformity and compliance to local and national codes is the responsibility of the installer.

**Distributed by**  
**www.Ameraproducts.com**  
**Phone: (800) 608-6568**  
**Fax: (409) 840-5545**  
**info@ameraproducts.com**