

Model 2A10 — Surface-Mounted **Bradex®**

- Diplomat Series
- C-Fold/Multi-Fold Towels

Product Materials

CABINET: 0.030-inch/22-ga. (0.76 mm) stainless steel with exposed surfaces in architectural satin finish. Welded construction with seamless corners and burr-free edges.

DOOR: 0.036-inch/20-ga. (0.92 mm) stainless steel with full length piano hinge and tumbler lock keyed like other Bradley units. Front of door has matching curvature to other Bradley Diplomat washroom accessories.

TOWEL DISPENSER: 0.030-inch/22-ga. (0.76 mm) stainless steel. Rolled edge on towel dispenser opening.

Capacity

800 multi fold or 600 C-fold paper towels.

Operation

Towel dispenser holds multi-fold or C-fold towels without use of special adapter.

Installation

Secure to wall with mounting screws (not included) at holes provided. Mounting kit (#899-027) available through Bradley. Provide in-wall backing at mounting screw locations.

Guide Specification

Folded paper towel dispenser in surface-mounted wall cabinet. Towel dispenser door face formed with contemporary contours, radii, and finish matching related accessories in manufacturer's designer series. Towel dispenser capacity 800 multi-fold or 600 C-fold paper towels, accessed with hinged service door with keyed tumbler lock. Dispenses using less than 5 lbs. of force. Universal keying. Formed from stainless steel sheet with satin finish on exposed surfaces, fully welded, with seamless corners and burr-free edges: cabinet 0.030-inch / 22-ga. thick; door 0.036-inch / 20-ga. thick.

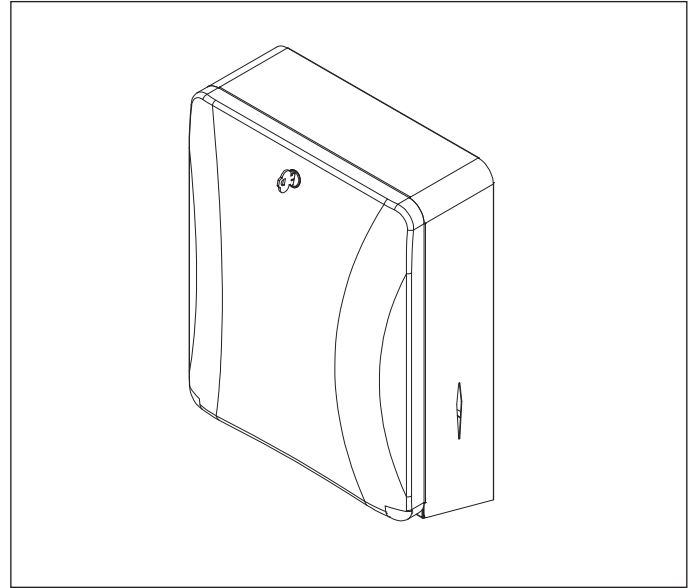
Overall dimensions: 11"W x 14³/₄"H x 5¹/₄"D.

MasterFormat Title: Commercial Toilet Accessories

MasterFormat Number: 10 28 13.13

OmniClass Title: Toilet and Bath Specialties

OmniClass Code: 23.31.25.00



Washroom Accessories
Document No. 9405

Page 1 of 2

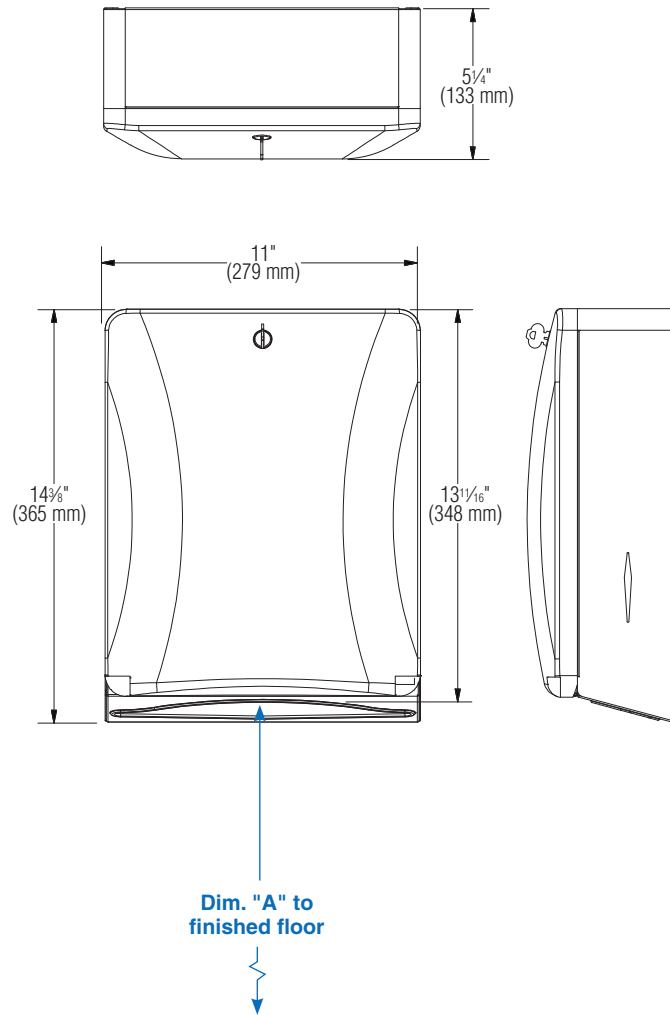
Orders composed of products indicated as **Bradex®** will be available to ship in three days after receipt of order at the factory. There is no pricing penalty for this service from Bradley.

This information is subject to change without notice.

4-5-2011

Distributed by
www.Ameraproducts.com
Phone: (800) 608-6568
Fax: (409) 840-5545
info@ameraproducts.com

Dimensions



Dim. "A" Key Surface:	For Dim. "A"	Locate Top of Unit	Locate Bottom of Unit
Paper towel top of opening to finished floor	48" (1219mm)	61 ³ / ₄ " (1568mm)	47 ³ / ₈ " (1203mm)
	45" (1143mm)	58 ³ / ₄ " (1492mm)	44 ³ / ₈ " (1127mm)
	42" (1067mm)	55 ³ / ₄ " (1416mm)	41 ³ / ₈ " (1051mm)
	40" (1016mm)	53 ³ / ₄ " (1365mm)	39 ³ / ₈ " (1000mm)

**Washroom Accessories
Document No. 9405**

Page 2 of 2

Orders composed of products indicated as **Bradex**® will be available to ship in three days after receipt of order at the factory. There is no pricing penalty for this service from Bradley.

This information is subject to change without notice.

4-5-2011

Distributed by
www.Ameraproducts.com
 Phone: (800) 608-6568
 Fax: (409) 840-5545
info@ameraproducts.com