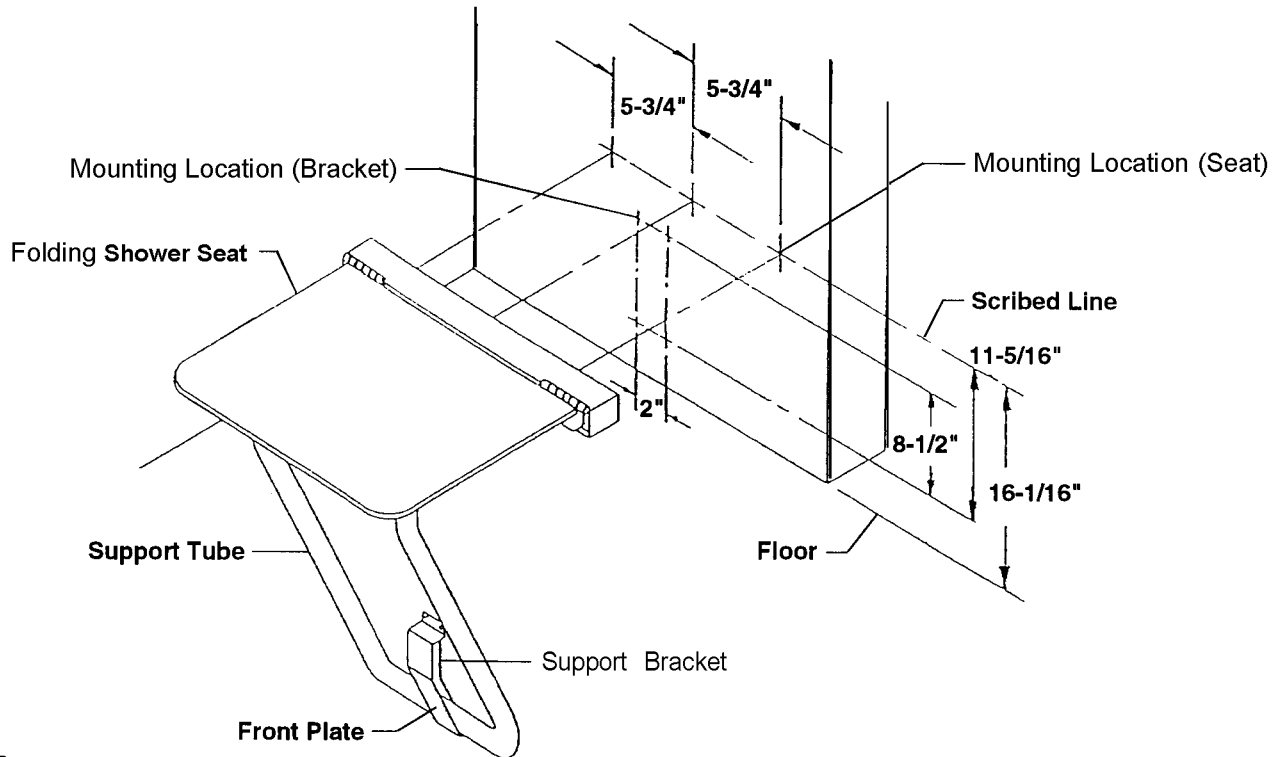

Bradley Shower Seat Installation Instructions

Models 9557, 9558, and 9559



Steps

1. Measure and scribe a horizontal line 16-1/16" above the finished floor (see figure above).
2. Position the folding shower seat against the wall with the three mounting holes on seat centered on scribed line from Step 1.
3. Using the mounting holes on the shower seat as a template, mark the three mounting locations on the wall.
4. Install appropriate anchors (supplied by installer) for 1/4" screws in the wall at the three mounting locations. **NOTE:** All anchoring devices (supplied by installer) must be carefully selected to insure adequate support for the shower seat, given the type of wall construction.
5. Mount the shower seat to the wall with the three 1/4" screws (supplied) at the anchored mounting locations.
6. Position the seat support tube in the support bracket as shown above. The support tube should rest on the bottom of the front plate.
7. Place the support bracket against the wall and adjust the support bracket vertically until the shower seat is level in down position.
8. Using the mounting holes on the support bracket as a template, mark the four mounting locations on the wall.
9. Install appropriate anchors (supplied by installer) for 1/4" screws in the wall at the four mounting locations. **NOTE:** All anchoring devices (supplied by installer) must be carefully selected to insure adequate support for the shower seat, given the type of wall construction.
10. Mount the support bracket to the wall with the four 1/4" screws (supplied) at the anchored mounting locations.