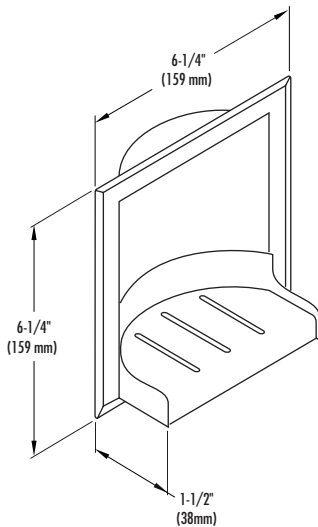


SOAP DISH

- Recess Mounted
- Stainless Steel
- Model 9352 – Bright Polish
- Model 9353 – Satin Stainless Steel



Document No. 8935

This information is subject to change without formal notice.
© 2007 Bradley Corporation
4-2-2007

CONSTRUCTION:

- **HOUSING** fabricated of heavy gauge stainless steel.
- **SOAP TRAY** fabricated of heavy clear plastic.

CONSTRUCTION:

Soap tray is removable for cleaning.

INSTALLATION:

Requires rough wall opening 5-1/4"W x 5-1/4"H x 2"D. Secure to framing with screws (included) at holes provided.

OPTIONAL FEATURES

Feature	Suffix
<input type="checkbox"/> Back clamp for gypsum wallboard mounting	-55

GUIDE SPECIFICATION:

Recessed soap dish shall be heavy gauge stainless steel with removable soap tray.

Overall dimensions: 6-1/4"W x 6-1/4"H x 2"D.

Recessed Soap Dish shall be Bradley Model 9352 (9353).



P.O. Box 309, Menomonee Falls, WI 53052-0309