



Wall Seat Installation Instructions

Instructions d'installation du siège mural

Instrucciones para la instalación del asiento de pared

Model / Modèle / Modelo
964-000000

Thank you for purchasing a quality Bradley product. Our goal is 100% consumer satisfaction! Please DO NOT contact your distributor or reseller as we are better prepared to assist you.

Nous vous remercions d'avoir acheté un produit Bradley de qualité. Notre objectif est 100% la satisfaction du consommateur! Si, pour une raison quelconque, vous n'êtes pas satisfait ou si vous avez des questions concernant votre produit ou votre installation, Veuillez communiquer avec notre équipe de service à la clientèle au s'il vous plaît ne contactez pas votre Distributeur ou revendeur que nous sommes mieux préparés pour vous aider.

Gracias por comprar un producto de calidad Bradley. ¡Nuestra meta es 100% satisfacción del consumidor! Si, por alguna razón, no está satisfecho o si tiene alguna pregunta con respecto a su producto o instalación, Por favor póngase en contacto con nuestro equipo de servicio al cliente en , NO contacte con su Distribuidor o revendedor, ya que estamos mejor preparados para ayudarle.

⚠ WARNING

- Failure to follow these warnings and the installation instructions could result in serious injury or death.
- Read all instructions before installing wall seat. keep these instructions. DO NOT discard.
- The installer is responsible for confirming the wall construction, anchors, and fasteners are in good condition and capable of withstanding 200 pounds pull out force or greater. Contact the building architect or engineer for confirmation when in doubt.

⚠ AVERTISSEMENT

- Le non-respect de ces avertissements et des instructions d'installation peut entraîner des blessures graves Ou la mort.
- Lisez toutes les instructions avant d'installer le siège mural. Conservez ces instructions. NE PAS jeter.
- L'installateur est responsable de confirmer la construction murale, les ancrs et les attaches sont en bon éta Condition et capable de résister à 200 livres pull force ou plus. Contacter le bâtiment Architecte ou ingénieur pour confirmation quand je doute.

⚠ ADVERTENCIA

- El no seguir estas advertencias y las instrucciones de instalación podrían resultar en lesiones graves O la muerte.
- Lea todas las instrucciones antes de instalar el asiento de la pared. Guarde estas instrucciones. No descarte.
- El instalador es responsable de verificar la construcción de la pared, anclajes y elementos de fijación estén en buen estado y capaz de soportar 200 libras halar la fuerza o mayor. En caso de duda póngase en contacto con el arquitecto o ingeniero de construcción para su confirmación.

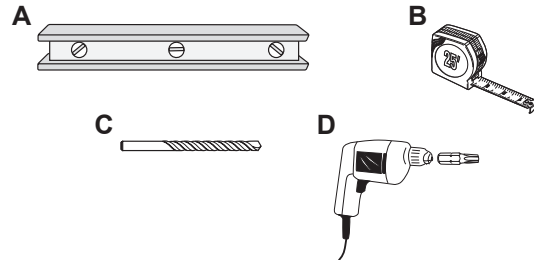
AB20224B

ASSEMBLY INSTRUCTIONS

ADULT INSTALLATION REQUIRED.

TOOLS REQUIRED:

- Level (A)
- Measuring tape (B)
- Power drill with 3/8" bit (C)
- Power screwdriver with bull nose phillips bit (D)



- READ ALL INSTRUCTIONS BEFORE ASSEMBLY OF WALL SEAT.
- Unpack carton and identify all parts.

PARTS LIST

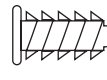
Parts Description	Quantity
Hardware for installation:	
1/4 - 20 x 1-1/4" Machine Screws	4
1/4" Flat Washers	4
1/4 -20 x 9/16" T-Nuts	4
1-1/4" Caps	4



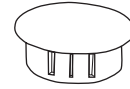
1/4 - 20 x 1-1/4" Machine Screws



1/4" Flat Washers



1/4 - 20 x 9/16" T-Nuts



1-1/4" Caps

IMPORTANT:

The enclosed hardware is for through-bolt mounting on a 1" thick steel partition only. If mounting unit on a partition of different thickness or on a wall, provide the appropriate backing and hardware.

- Wall seat **MUST** be mounted in a convenient location at or near the same height as the toilet tissue dispenser. If mounting in a changing room, mount so bottom of wall seat is approximately 20-1/2" from the floor. Make sure there is adequate clearance in front of the seat for safe operation.

A.D.A. Compliance:



- 307.2 Maximum Protruding Objects
 - 308.2 Forward Reach
 - 308.3 Side Reach
 - 309.4 Operation
- Compliant when properly installed.**

⚠ WARNING

- The wall seat is no stronger than the anchors or walls to which they are attached and, therefore, **MUST** be firmly secured in order to support the weight they are intended to support.
- Check mounting hardware at least once a month to ensure screws are tightly fastened.
- Always secure a child with restraint system. **NEVER** leave child unattended.
- **DO NOT** mount to a door.
- The installer is responsible for confirming the wall construction, anchors, and fasteners are in good condition and capable of withstanding 200 pounds pull out force or greater. Contact the building architect or engineer for confirmation when in doubt.

P20-214 Rev B ECN 16-15-047 04/04/2017



INSTALLATION

1. Locate area that can support the wall seat when mounted to the partition.
2. Measure up 33" (84 cm) from the floor and mark the partition (Fig. a). This locates the position for the top left attachment hole.
3. Align hole in top left corner of wall seat with mark on partition and hold in place.
4. Using a level and measuring tape, mark the remaining three (3) holes. After marking holes, set wall seat down on ground.
5. Use a power drill and 3/8" bit to drill four (4) holes through partition at mounting points.
6. From opposite side of partition, insert four (4) T-nuts into mounting holes.
7. Align holes in wall seat with drilled holes and secure top left corner of wall seat to partition using a machine screw and flat washer into the T-nuts. Continue to secure the three (3) remaining corners using the machine screws and flat washers into the T-nuts (Fig. b).

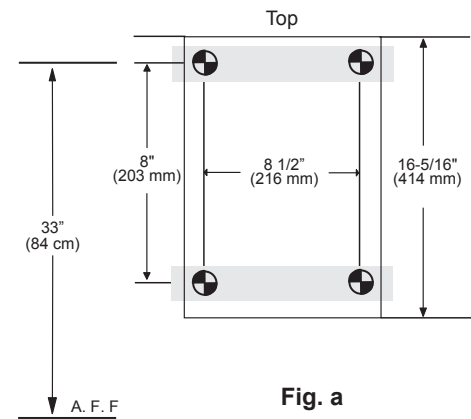
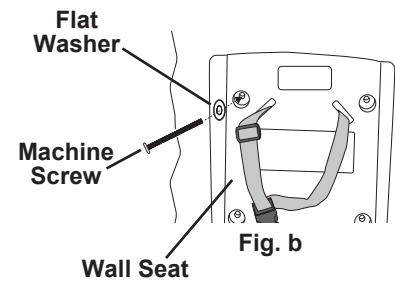
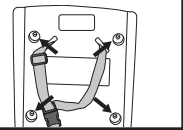


Fig. a



⚠ WARNING

All 4 of these locations MUST be used for safe installation.



8. Ensure all four (4) screws are tight and snap caps over screw heads.

NOTE: Operate seat three (3) or four (4) times to ensure proper function.

OPERATION:

Rotate base downward. Place infant on top of the changing surface. Use restraint system as described below. After child has been changed, remove restraint system and rotate base back up against the wall.

USE OF RESTRAINT SYSTEM:

Place child on wall seat. Place restraint system over child shoulders and buckle between child's legs. Insert buckle tongue into buckle and snap together. To tighten or loosen straps, slide adjuster up or down strap. To remove restraint system, press sides of buckle to release tongue and pull tongue out of buckle.

MAINTENANCE AND CLEANING:

Check all hardware and components monthly or as required to ensure hardware is tight and there are no missing or damaged components. Take unit out of service if any component is missing or damaged and contact customer service to order replacement parts. Do not substitute parts.

Clean by using a damp cloth with mild soap or mild multi-purpose cleaner. Do not use any strong chemical cleaners or cleaning agents that may be hazardous to children.