

# Installation And Maintenance Manual

## Swing Up Grab Bar

8370-107, 8372-107, 8370-108,  
and 8372-108 Series

Product warranties may be found under "Resources" on our website at [www.bradleycorp.com](http://www.bradleycorp.com)

### Important Safety Information

Improper installation or allowing the use of a loose grab bar can result in serious injury or death if it fails during use.

#### Professional Installation Recommended

Professional installers know how to:

- Check for proper wall backing (additional support underneath the tile or drywall in a bathroom)
- Install additional wall backing, if necessary
- Select appropriate mounting hardware for your wall and backing materials
- Meet applicable building codes

#### Proper Wall Backing Required Before Installation

This grab bar requires wall backing that exceeds the dimensions of the mounting plate (8-13/16" x 6-3/16"). Mounting to a single wood stud is not enough to support this product. Wall backing must support strength ratings of mounting hardware. If the location you select for the grab bar does not already have proper wall backing, do not install this product.

#### Partial Demolition May Be Required Before Installation

Unless an architect has designed the wall with wall backing specifically for this product, you should not expect that proper wall backing will be in place. The process of modifying a wall to install wall backing is a significant project that may require partial demolition of the existing wall.

#### Select Appropriate Mounting Hardware

Select mounting hardware that is appropriate for your wall material (for example, wood backing, masonry, or steel). Bradley recommends selecting mounting hardware per the chart below.

Desired Load Rating	Per Fastener Strength/Pull-out	Test Load
250 lbs (ADA Min.)	1080 lbs	250 lbs
550 lbs (Max.)	2380 lbs	350 lbs

#### Test Grab Bar After Completing Installation

To ensure soundness of the installation, load the grab bar per the test load in the above chart at 27-1/2" inches from the wall. There should be no movement of the backing plate.

#### Remove or Repair Grab Bar if it is Loose

As part of regular building maintenance, check that the grab bar is secure. The building owner or maintenance personnel should remove grab bar assembly from service if it is not secure.

#### Provide This Manual to the Building Owner

P20-222 Rev. C; ECO 19-15-022

© 2019 Bradley

Page 1 of 2 6/26/2019



Distributed by  
[www.AmeraProducts.com](http://www.AmeraProducts.com)  
Phone: (800) 608-6568  
Fax: (409) 840-5545  
[info@ameraproducts.com](mailto:info@ameraproducts.com)

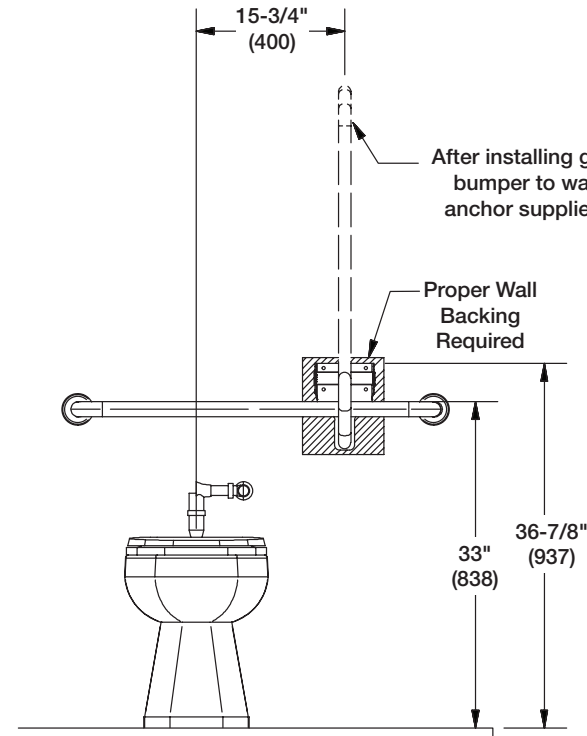
P.O. Box 309  
Menomonee Falls, WI 53052 USA



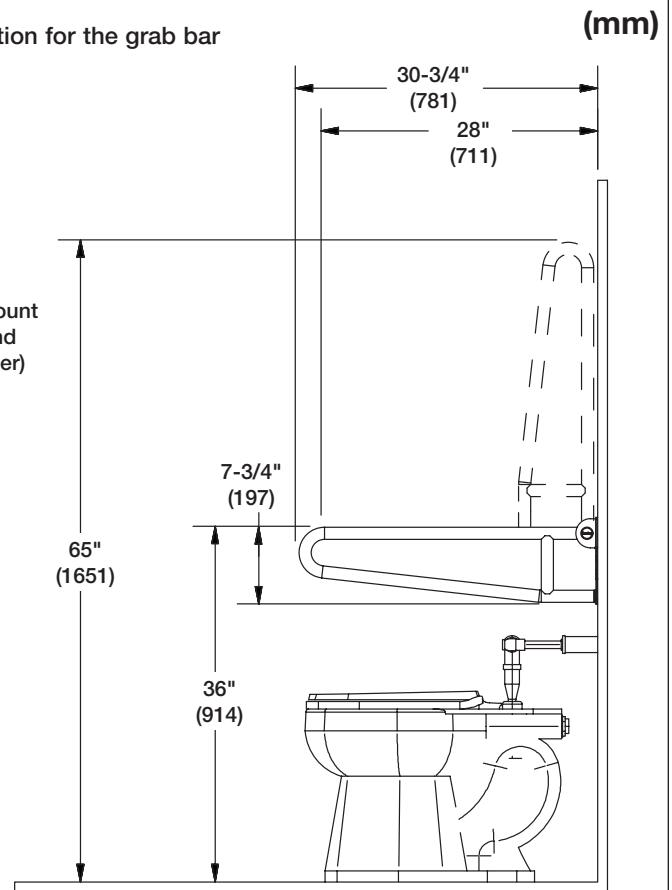
# Installation

1. Consult applicable building codes to determine the proper location for the grab bar (e.g., height, adequate clearance from toilet, wall, sink, etc.).

## Recommended Installation Location



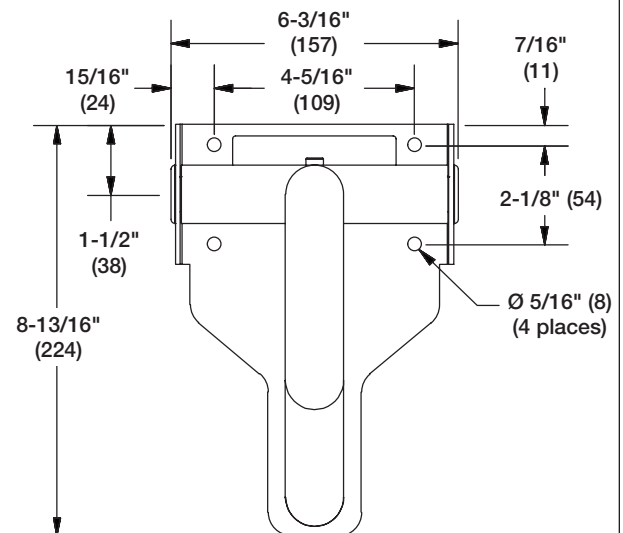
8370-107 Front View



8370-107 Side View

**NOTICE: Compliance with applicable building codes is the responsibility of the installer. The above installation dimensions are based on national standards, which may differ from local building codes. For more information about installation requirements, consult local building codes.**

2. Mark the location of the wall plate mounting holes where the grab bar will be installed.
3. Verify there is proper backing behind the entire area of the wall plate. For retrofitting installations, this may require partial demolition of the wall to install or verify the presence of proper backing.
4. Follow instructions provided by the fastener manufacturer to secure the wall plate to the wall.
5. Mark the location of the mounting holes where the grab bar bumper will be installed. Secure the grab bar bumper to the wall.
6. Test the grab bar. The wall plate should not move when the grab bar is loaded in any direction.



Mounting Bracket Detail

## Adjusting Drop Speed

Verify a controlled drop of the grab bar. When positioned at a 45-degree angle, the grab bar should take at least 2 seconds to fall to the user position. If needed, torque the assembly bolt (max of 75 in-lbs) until a controlled drop is met.