

# Installation And Maintenance Manual

## Swing Up Grab Bar

8370-104 and 8370-105 Series

### WARNING

All mounting hardware is supplied by installer and must be appropriate for wall construction. Wall anchors used must have a minimum pull-out rating of 1000 lbs.

The swing up grab bar assembly is no stronger than the anchors and walls to which they are attached, and therefore, must be firmly secured in order to meet regulatory requirements. To avoid potential injury, the building owner or maintenance personnel should remove grab bar assembly from service if the mounting is not adequately secured to the wall or if there is any observed product function issues.

### CAUTION

Annual inspection of the swing up grab bar assembly is required to verify that a controlled drop occurs. This can be achieved by torquing the assembly bolt (max of 75 in-lbs) until a controlled drop is met. A controlled drop is when the grab bar is positioned at a 45 degree angle and falls to the user position no faster than 2 seconds time.

Personal Protective Equipment (PPE) is required during the installation and maintenance of this product.

### NOTICE

Before installing this product ensure that there are adequate clearances around the product in both the user position and the stored position.

### IMPORTANT

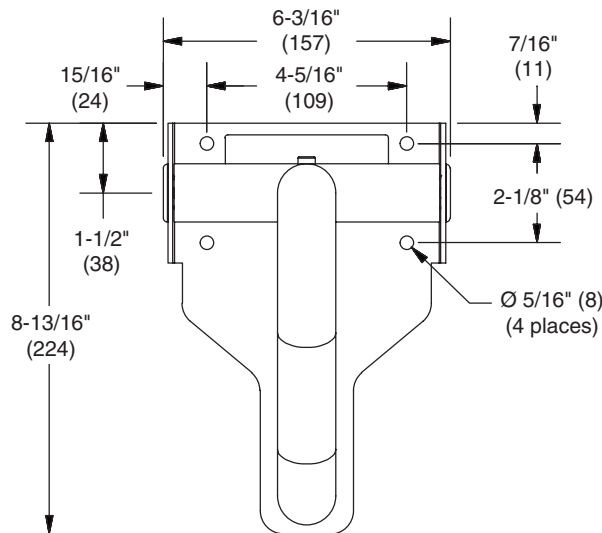
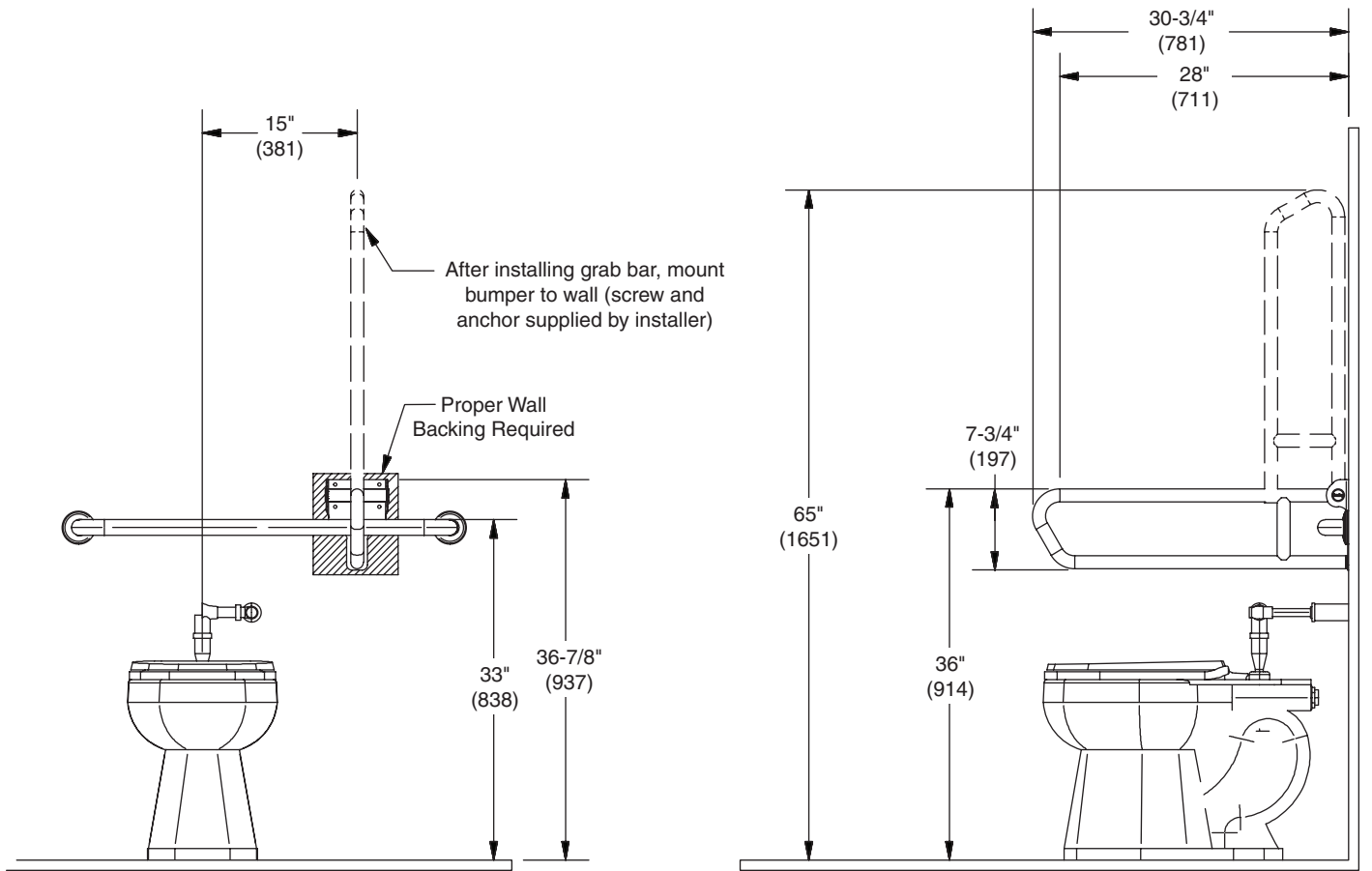
Read this entire installation manual to ensure proper installation. When finished with the installation, file this manual with the owner or maintenance department. Compliance and conformity to local codes and ordinances is the responsibility of the installer.

For standard ADA mounting height, do not exceed the recommended 36-7/8" distance from the top of the mounting bracket to the finished floor.

Separate parts from packaging and make sure all parts are accounted for before discarding any packaging material. If any parts are missing, do not begin installation until you obtain the missing parts.

# Recommended Mounting Dimensions

(mm)



Mounting Bracket Detail

Distributed by  
[www.Ameraproducts.com](http://www.Ameraproducts.com)  
 Phone: (800) 608-6568  
 Fax: (409) 840-5545  
[info@ameraproducts.com](mailto:info@ameraproducts.com)