

Model 8170-158 shown

# Installation

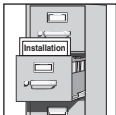
## 8170-158, 8170-1581

### Swing-Away Grab Bar

#### Table of Contents

Supplies Required . . . . .	2
Dimensions . . . . .	2
Installation . . . . .	3-4
Operation . . . . .	4
Grab Bar Maintenance . . . . .	4
Cleaning and Maintenance of Stainless Steel. . . . .	5

## IMPORTANT!



Read this entire installation manual to ensure proper installation, then file this manual with the owner or maintenance department. Compliance and conformity to local codes and ordinances is the responsibility of the installer.



Separate parts from packaging and make sure all parts are accounted for before discarding any packaging material. If any parts are missing, do not begin installation until you obtain the missing parts.



Product warranties and other information may be found under "Products" on our website at [www.bradleycorp.com](http://www.bradleycorp.com).



P.O. Box 309, Menomonee Falls, WI USA 53052-0309

P20-125 Rev. A; ECN 13-15-016

© 2013 Bradley

Page 1 of 5 8/7/2013

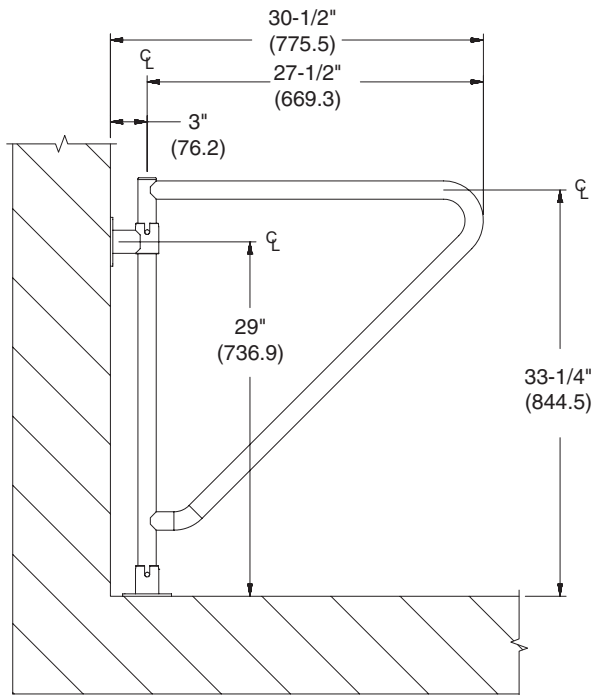


## Supplies Required

- (8) wall anchors (supplied by installer)
- (8) hex-head screws (supplied by installer) - Flanges are not compatible with oval-head screws
- Square
- Tool to drill holes in wall and floor
- Tool to mount wall anchors and flanges

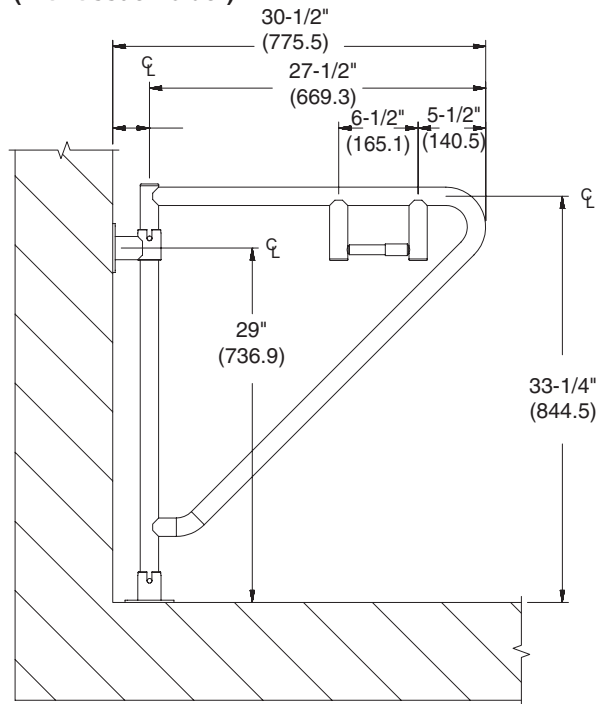
## Dimensions

Model 8170-158



Model 8170-1581  
(with tissue holder)

(mm)



Distributed by  
[www.AmeraProducts.com](http://www.AmeraProducts.com)  
 Phone: (800) 608-6568  
 Fax: (409) 840-5541  
[info@ameraproducts.com](mailto:info@ameraproducts.com)

# 1 Install Anchors

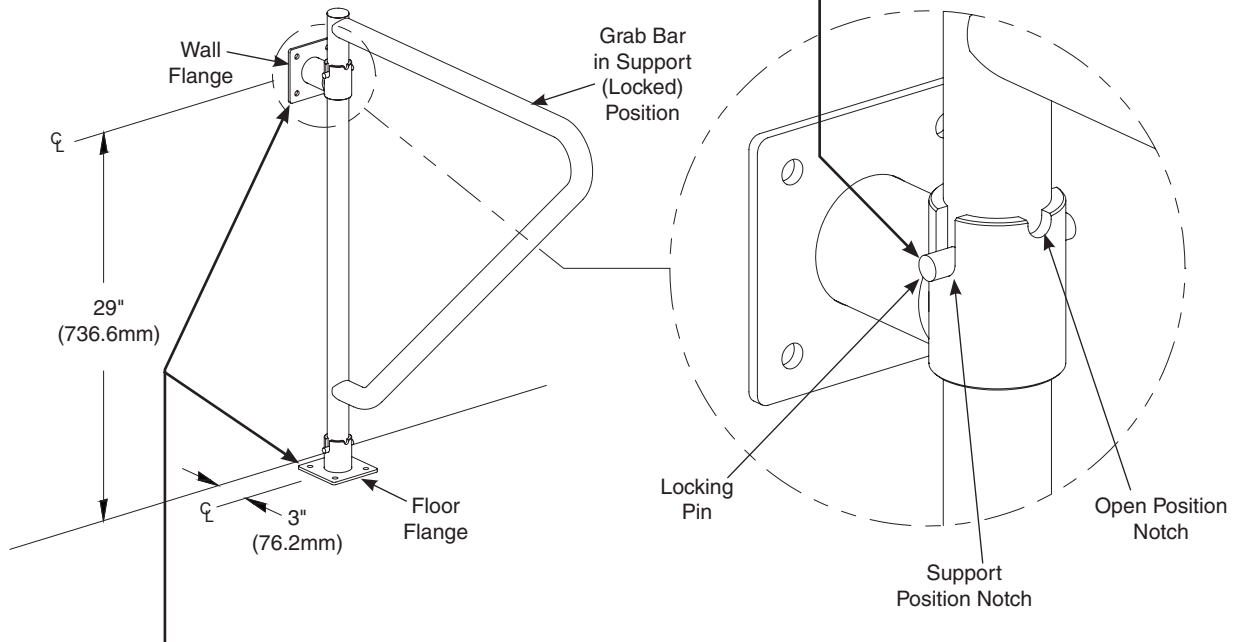
**WARNING!** The swing-away grab bar is designed to support a load in excess of 300 pounds. Make sure wall backing is adequate before installing.



The swing-away grab bar must be mounted parallel to the wall. It may be necessary to insert shims under flanges to compensate for an uneven relationship between the floor and the wall.

**CAUTION!** Improper installation can prevent smooth operation of the grab bar and can cause damage to locking pins and flanges. Make sure the centerlines for the wall and floor flanges are the correct distance from mounting surfaces.

**A** Adjust both flanges so that the grab bar is in the support (locked) position (both locking pins should be in the deep notches of the wall and floor flanges).



**B** Position the grab bar alongside the wall with both flanges flush against their mounting surfaces. The centerline for the floor flange should be 3" from the wall. The centerline for the wall flange should be 29" from the floor.

**C** Using the mounting holes on the wall and floor flanges as templates, mark the hole positions on the mounting surfaces and drill holes for mounting anchors.

**D** Install 4 mounting anchors in the wall and 4 in the floor.

Distributed by  
[www.Ameraproducts.com](http://www.Ameraproducts.com)  
 Phone: (800) 608-6568  
 Fax: (409) 840-5541  
[info@ameraproducts.com](mailto:info@ameraproducts.com)

## 2 Secure Grab Bar

**CAUTION!** Improper installation can prevent smooth operation of the grab bar and can cause damage to locking pins and flanges. Use shims, if necessary, to achieve a parallel relationship between the grab bar and the wall.

**A** Using a square, make sure the wall and floor are perpendicular and true.

Position the grab bar so that both flanges are aligned with their mounting holes.

**B** If wall and floor **ARE** perpendicular, install 4 hex-head screws to secure the wall flange to the wall.

If wall and floor **ARE NOT** perpendicular, install 4 hex-head screws to secure the flange that is not being shimmed to it's mounting surface.

**C** Hold the unsecured flange flush against it's mounting surface and rotate the grab bar between the support and open positions several times. When rotated, locking pins should move freely between the deep and shallow notches on the flanges without binding.

**D** If the grab bar does not move freely when rotated, place shims under the unsecured flange and rotate the grab bar again to check for binding. If there is still binding, add more shims.

If the grab bar moves freely when rotated, install 4 hex-head screws to secure the flange to it's mounting surface.

## Operation

The swing-away grab bar can be rotated to a support (locked) position and an open position. To place the grab bar in the:

- **support position**, rotate the grab bar forward until the locking pins on the grab bar fit into the deep notches on the wall and floor flanges.
- **open position**, rotate the grab bar backward until the locking pins rest in the shallow notches on the wall and floor flanges.

## Grab Bar Maintenance

All screws and mounting anchors should be checked to ensure that they are securely mounted to the wall every 6 months. If the swing-away grab bar is being used in a rehabilitation center or in an area with a high frequency of use, screws and anchors should be checked monthly.



## Cleaning and Maintenance for Stainless Steel

**Material Description:** Stainless steel is extremely durable, and maintenance is simple and inexpensive. Proper care, particularly under corrosive conditions, is essential. Always start with the simplest solution and work your way toward the more complicated.

**Routine cleaning:** Daily or as often as needed use a solution of warm water and soap, detergent, or ammonia. Apply the cleaning solution per the manufacturer's instructions and always use a soft cloth or sponge to avoid damaging the finish.

**Stubborn Stains:** To remove stains from stainless steel use a stainless steel cleaner and polish such as Ball® stainless steel cleaner or a soft abrasive. Always follow the manufacturer's instructions and apply in the same direction as the polish lines.

**NOTICE!** Never use ordinary steel wool or steel brushes on stainless steel. Always use stainless steel wool or stainless steel brushes.

### Special Situations for Material

**Fingerprints and Smears:** To remove fingerprints or smears use a high quality stainless steel cleaner and polish in accordance with the manufacturer's instructions. Many of these products leave a protective coating that helps prevent future smears and fingerprints.

**Grease and Oil:** To remove grease and oil use a quality commercial detergent or caustic cleaner. Apply in accordance to the manufacturer's instructions and in the direction of the polish lines.

**Precautions:** Avoid prolonged contact with chlorides (bleaches, salts), bromides (sanitizing agents), thiocyanates (pesticides, photography chemicals, and some foods), and iodides on stainless steel equipment, especially if acid conditions exist.

**NOTICE!** Do not permit salty solutions to evaporate and dry on stainless steel.

The appearance of rust streaks on stainless steel leads to the belief that the stainless steel is rusting. Look for the actual source of the rust in some iron or steel particles which may be touching, but not actually a part of the stainless steel structure.

**NOTICE!** Strongly acidic or caustic cleaners may attack the steel causing a reddish film to appear. The use of these cleaners should be avoided.

### Brand Names

Use of brand names is intended only to indicate a type of cleaner. This does not constitute an endorsement, nor does the omission of any brand name cleaner imply inadequacy. Many products named are regional in distribution, and can be found in local supermarkets, department and hardware stores, or through your cleaning service. It is emphasized that all products should be used in strict accordance with package instructions.

