

Frameless mirror:

- Model 747-XXXX with Clip Fasteners (Specify width and height)**
- Model 7471-XXXX with Rosette Fasteners (Specify width and height)**
- Model 747-024360 (24" x 36") *Bradex*[®]**

Product Materials

MIRROR: first quality 1/4" float glass, thermosetting infrared-cured paint backing. Manufactured in accordance with ASTM C 1036 and ASTM C 1503. Edges ground and polished smooth.

Installation

Verify all rough-in dimensions prior to installation.

MODEL 747: Secure mounting clips (metal) to wall with screws included, then engage mirror into clips.

MODEL 7471: Secure mirror to wall with screws and plastic rosettes included.

Guide Specification

Frameless mirror shall be of first quality 1/4" float glass, guaranteed for 15 years against silver spoilage. Edges ground and polished smooth.

Frameless Mirror shall be Bradley Model 747 (7471)- _____ " W x _____ " H (specify width and height).

Model 747 series frameless mirrors can be fabricated to a maximum size of 60"W x 96"H.

Model 7471 series frameless mirrors can be fabricated to a maximum size of 48"W x 72"H.



 **ADA Compliant**

- Consult local and national accessibility codes for proper installation guidelines.
- Conformity and compliance to local and national codes is the responsibility of the installer.

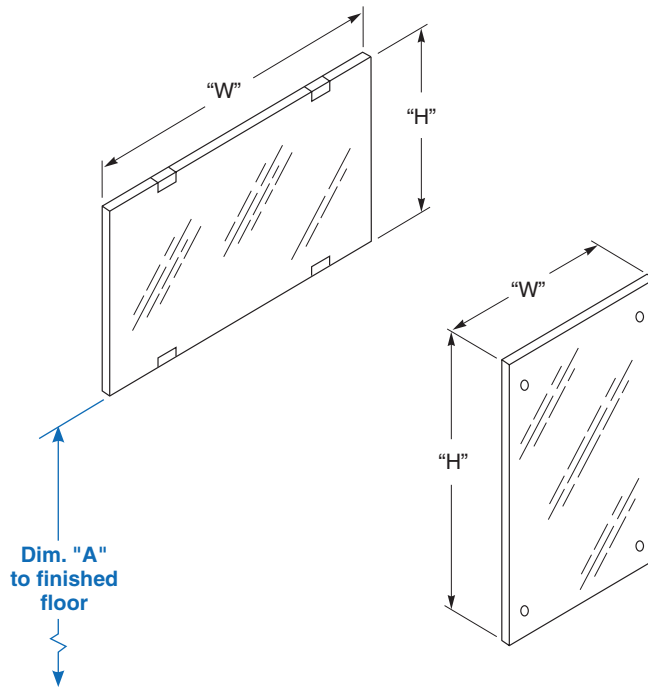
Washroom Accessories
Document No. 8735

Orders composed of products indicated as **Bradex**[®] will be available to ship in three days after receipt of order at the factory. There is no pricing penalty for this service from Bradley.

© 2012 Bradley
 P.O. Box 309, Menomonee Falls, WI 53052-0309

Distributed by
www.Ameraproducts.com
 Phone: (800) 608-6568
 Fax: (409) 840-5545
 info@ameraproducts.com

Dimensions



Dim. "A" Key Surface:	For Dim. "A"	Bottom of Unit
Mirror's bottom edge of the reflecting surface to finished floor	40" (1016mm)	40" (1016mm)
	37" (940mm)	37" (940mm)
	34" (864mm)	34" (864mm)
Rough wall opening:		
Surface Mount:	No rough wall opening, see overall dimensions	

Washroom Accessories
Document No. 8735

Orders composed of products indicated as **Bradex**® will be available to ship in three days after receipt of order at the factory. There is no pricing penalty for this service from Bradley.

© 2012 Bradley
 P.O. Box 309, Menomonee Falls, WI 53052-0309

Distributed by
www.Ameraproducts.com
 Phone: (800) 608-6568
 Fax: (409) 840-5545
 info@ameraproducts.com