

- Tank Type Vertical
- Surface-Mounted
- ADA Compliant

Product Materials

BODY: 20 gauge stainless steel with exposed surfaces in architectural satin finish.

BACK: 20 gauge stainless steel; heliarc welded to the body.

WALL PLATE: stainless steel.

SOAP VALVE: black ABS plastic mechanism.

Capacity

40-oz. liquid soap.

Operation

Push-in valve dispenses measured amount of vegetable or coconut oil liquid soaps, synthetic detergents, and antiseptic solutions with less than 5 lbs. of force. Sight gauge indicates refill time. Locked filler top opens with special key provided.



Bradley liquid soap valves operate best with any vegetable oil or coconut oil hand soap having a 10–15% soap concentration.

Installation

Verify all rough-in dimensions prior to installation. Secure separate mounting bracket to wall. Slide dispenser into place and secure locking screw through filler hole.

Guide Specification

Surface-mounted liquid soap dispenser shall be fabricated of 20 gauge satin finish stainless steel. Dispenser shall have completely concealed mounting, vandal-resistant filler hole cover and sight gauge. Push-in corrosion-resistant liquid soap valve. Capacity: 40-oz. liquid soap. Requires less than 5 lbs. of force to dispense soap.

Overall dimensions: 4¹³/₁₆"W x 8³/₁₆"H x 2⁷/₈"D.

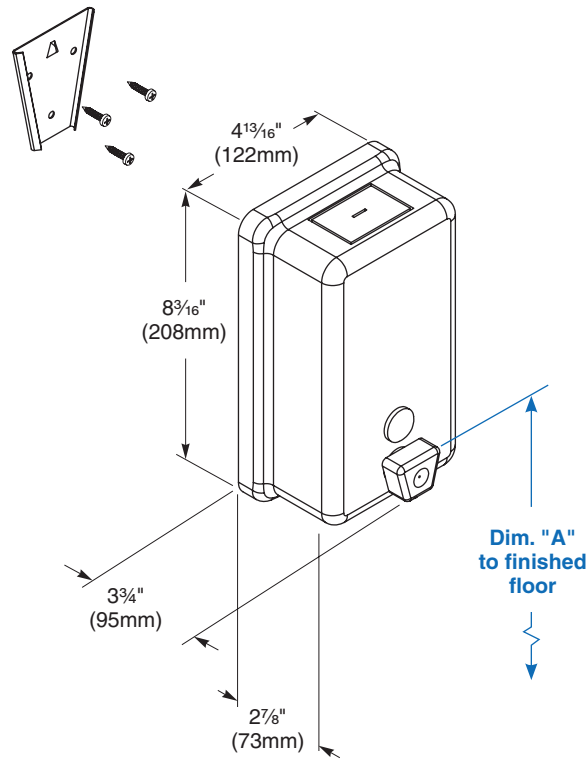
ADA Compliant

- Consult local and national accessibility codes for proper installation guidelines.
- Conformity and compliance to local and national codes is the responsibility of the installer.



Washroom Accessories
Document No. 8692

Dimensions



Dim. "A" Key Surface:	For Dim. "A"	Top of Unit	Bottom of Unit
Push button top to finished floor	40" (1016mm)	46 1/4" (1175mm)	38" (965mm)
	38" (965mm)	44 1/4" (1124mm)	36" (914mm)
	36" (914mm)	42 1/4" (1073mm)	34" (864mm)
	34" (864mm)	40 1/4" (1022mm)	32" (813mm)
Rough wall opening:			
Surface Mount:	No rough wall opening, see overall dimensions		

Washroom Accessories
Document No. 8692

Distributed by
www.Ameraproducts.com
Phone: (800) 608-6568
Fax: (409) 840-5545
info@ameraproducts.com