

Model 582

- Partition-Mounted
- Serves Two Compartments

Product Materials

FLANGE: 22 gauge stainless steel with exposed surfaces in Architectural satin finish. One-piece seamless construction, 1" wide with burr-free beveled edges.

CABINET: 22 gauge stainless steel. All-welded construction.

DOORS: 22 gauge stainless steel with exposed surfaces in architectural satin finish, with full-length piano hinge and tumbler lock keyed like other Bradley units.

Capacity

1,000 single-fold or half-fold toilet seat covers.

Operation

Seat cover dispenser serviced through hinged door on one side of unit.

Installation

Verify all rough-in dimensions prior to installation. Requires partition opening 11"H x 15-3/8"W. Flanges adjustable for partitions from 3/4" to 1-3/16" thick. Remove flanges and install cabinet in partition opening with tabs flush against partition. Position flanges on both sides of cabinet and secure with mounting studs (included) at holes provided.

- If used with on odd number of toilet compartments, use one Bradley Model 584 recessed or Bradley Model 583 surface-mounted Seat Cover Dispenser in side wall of end compartment.

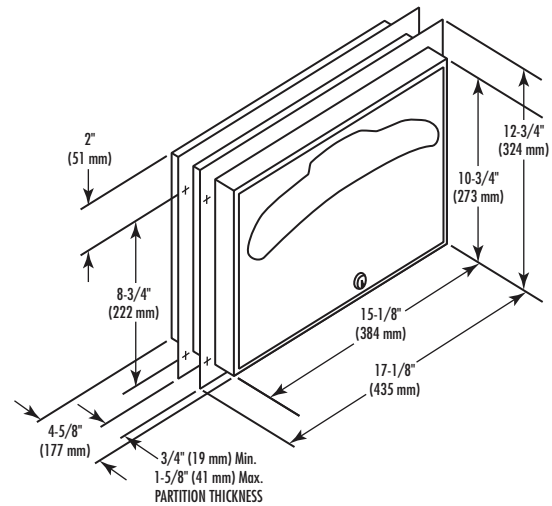
Guide Specification

Dual toilet seat cover dispenser shall be partition-mounted to serve two toilet compartments. Unit shall be fabricated of 22-gauge stainless steel with seamless exposed surfaces in satin finish. Dispenser door with piano hinge and tumbler lock.

Overall dimensions: 17-1/8"W x 12-3/4"H x 4-5/8"D.

ADA Compliant

- Consult local and national accessibility codes for proper installation guidelines.
- Conformity and compliance to local and national codes is the responsibility of the installer.



Washroom Accessories
Document No. 8558