

Model 357 — Surface-Mounted
Bradex®

6.5-gallon Capacity

Product Materials

RECEPTACLE: 22 gauge stainless steel with exposed surfaces in architectural satin finish. All welded construction with rounded front corners.

LINER: (optional) heavy-duty stitched vinyl-coated nylon.

HINGED COVER: (optional) 22 gauge stainless steel with exposed surfaces in architectural satin finish. Heavy-duty stainless steel piano hinge.

Capacity

6.5 gal. (0.9 cu. ft.)

Operation

Optional vinyl liner is attached to receptacle with hook-and-loop fasteners, easily removed for servicing.

Installation

Verify all rough-in dimensions prior to installation. Secure to wall with mounting screws (included) at holes provided.

Optional Features

| Feature | Suffix |
|--|--------|
| <input type="checkbox"/> Hinged cover | -35 |
| <input type="checkbox"/> Vinyl Liner Part #P11-007 | |

Guide Specification

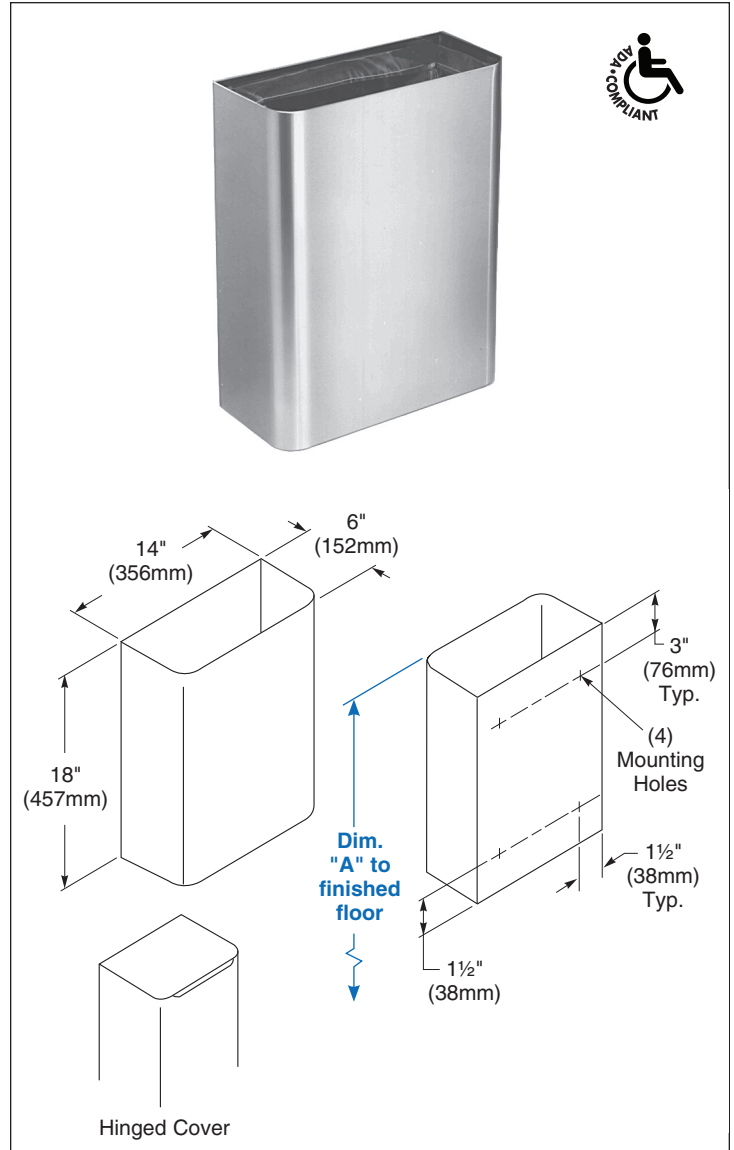
Surface-mounted waste receptacle shall be fabricated of 22 gauge stainless steel with seamless exposed surfaces in satin finish. Reusable heavy-duty vinyl liner (optional). Receptacle holds 6.5 gal.

Overall dimensions: 14"W x 18"H x 6"D.

 **ADA Compliant**

- Consult local and national accessibility codes for proper installation guidelines.
- Conformity and compliance to local and national codes is the responsibility of the installer.

Washroom Accessories
Document No. 8320



| Dim. "A" Key Surface: | For Dim. "A" | Top of Unit | Bottom of Unit |
|--|---|-------------|----------------|
| Waste receptacle top lip to finished floor | 36" (914mm) | 36" (914mm) | 18" (457mm) |
| | 32" (813mm) | 32" (813mm) | 14" (356mm) |
| | 28" (711mm) | 28" (711mm) | 10" (254mm) |
| Rough wall opening: | | | |
| Surface Mount: | No rough wall opening, see overall dimensions | | |

Orders composed of products indicated as **Bradex®** will be available to ship in three days after receipt of order at the factory. There is no pricing penalty for this service from Bradley. This information is subject to change without notice. 7-26-2011

Distributed by
www.Ameraproducts.com
Phone: (800) 608-6568
Fax: (409) 840-5545
info@ameraproducts.com