

Model 2496 — Surface-Mounted with Sensor Activation **Bradex**[®]

Product Materials

UNIT: Constructed of high impact material. Door is translucent, and fabricated from durable high-impact plastic.

Capacity

Dispenses non-perforated roll towels up to 8-1/2" in diameter and 8" wide with core sizes from 1 1/2"–2". Dispenser also allows for 4" diameter stub roll.

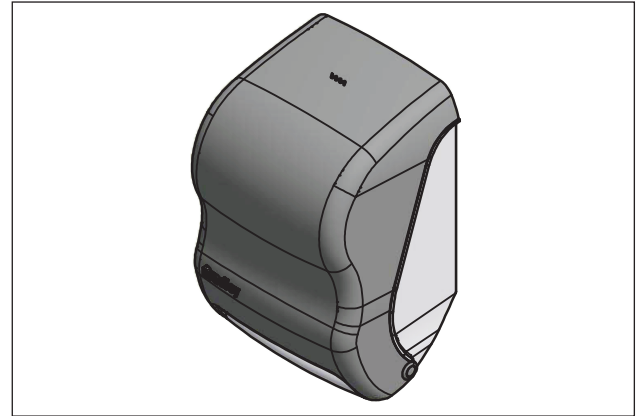
Operation

After loading paper and supplying power, simply close the dispenser cover. A 10" towel will be dispensed, and the unit is now ready for use. Operates with 4 "D" size alkaline batteries (not included). Automatic transfer system will integrate stub roll when the primary is nearly depleted. A flashing red indicator light indicates that batteries need to be replaced.

Installation

Verify all rough-in dimensions prior to installation. Secure to wall using convenient mounting slots and use appropriate mounting devices supplied by installer.

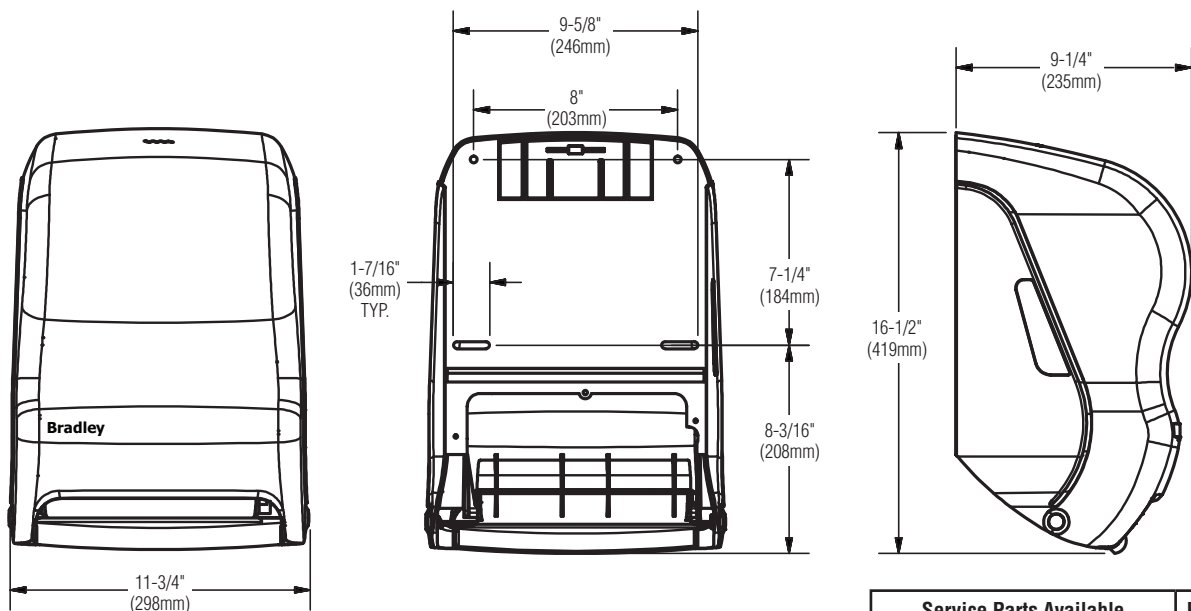
- Model 2496 fits inside Model 2271, and the two units can be combined to create a multi-purpose cabinet.



Guide Specification

Dispenser housing is fabricated from durable high impact material. The cover shall be fabricated from translucent high impact plastic. Dispenser shall have a sensor-operated towel dispensing mechanism. Dispenser will dispense a 10" towel after each tear of paper. Dispenser will be provided with a key activated spring lock. Dispenser shall include a transfer system which will automatically start feeding the paper web of the top roll when the lower roll is nearly depleted.

Overall dimensions: 11-3/4"W x 16-1/2"H x 9-1/4"D.



Washroom Accessories Document No. 9421

Orders composed of products indicated as **Bradex**[®] will be available to ship in three days after receipt of order at the factory. There is no pricing penalty for this service from Bradley.

This information is subject to change without notice.

Always consult local and national codes for proper installation guidelines.

Conformity and compliance to local and national codes is the responsibility of the installer.

3/14/2012

Service Parts Available	Part No.
<input type="checkbox"/> Replacement Cover (no logo)	P15-458
<input type="checkbox"/> Key	P15-454
<input type="checkbox"/> AC Conversion Pack	P15-459
<input type="checkbox"/> Keyless Handle	P10-740

Distributed by
www.AmerProducts.com

Phone: (800) 608-6568

Fax: (409) 840-5545

info@amerproducts.com