

Model 198 — Multi-Purpose Unit

- For ½" thick drywall installations behind wall or mirror

Product Materials

FLANGE: 22 gauge stainless steel with exposed surfaces in architectural satin finish. One-piece seamless construction, 1" wide with beveled edges.

CABINET: heavy gauge stainless steel.

TOWEL TRAY: 22 gauge stainless steel.

TOWEL DISPENSER: 22 gauge stainless steel piano hinge and tumbler lock. Rolled edge on dispenser opening.

EXTERIOR SHELF: 22 gauge stainless steel with an area of 60 sq. in.

LOCK on towel dispenser keyed like other Bradley units.

Capacity

Towel Dispenser — 800 multi-fold or 600 C-fold paper towels.

Operation

Towel dispenser holds multi-fold or C-fold towels without use of special adapter. Lock secures hinged towel dispenser lip, which opens for refilling from bottom.

Installation

Verify all rough-in dimensions prior to installation. Requires rough wall opening 15½"W x 30¼"H x 4"D. Install cabinet prior to installation of wall surface or mirror. Secure to framing with mounting screws (included) at holes provided. Shim at screw points as required.

Guide Specification

Recessed multi-purpose unit (for behind wall or mirror installation) consisting of recessed towel dispenser and shelf and shall be fabricated of stainless steel with exposed surfaces in satin finish. Towel dispenser with piano hinge and tumbler lock. Towel dispenser capacity 800 multi-fold or 600 C-fold towels.

Overall dimensions: 17½"W x 31⅛"H x 4"D.



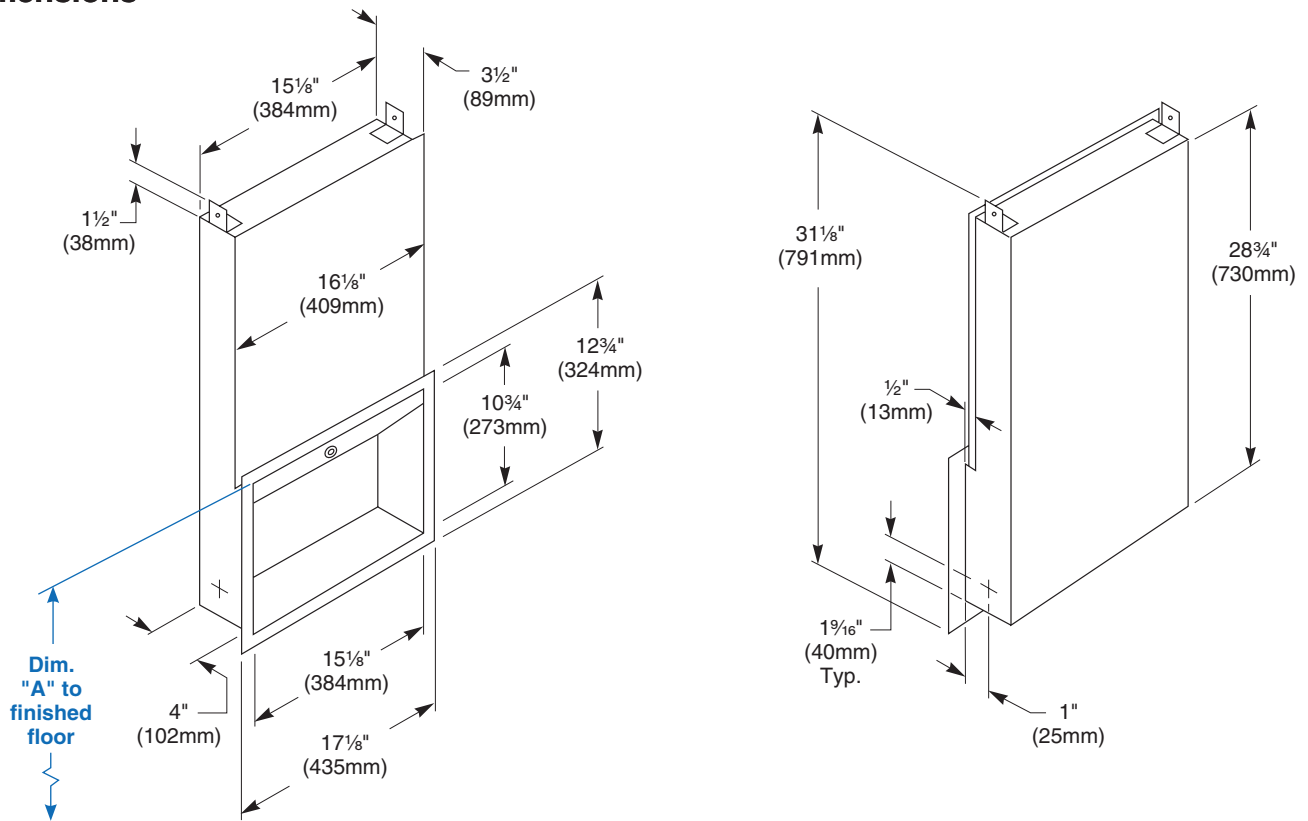
ADA Compliant

- Consult local and national accessibility codes for proper installation guidelines.
- Conformity and compliance to local and national codes is the responsibility of the installer.

Washroom Accessories
Document No. 8035

Distributed by
www.AmeraProducts.com
Phone: (800) 608-6568
Fax: (409) 840-5545
info@ameraproducts.com

Dimensions



Dim. "A" Key Surface:	For Dim. "A"	Top of Rough Wall Opening	Bottom of Rough Wall Opening
Paper towel top of opening to finished floor	48" (1219mm)	67" (1702mm)	35 ⁷ / ₈ " (911mm)
	45" (1143mm)	64" (1626mm)	32 ⁷ / ₈ " (835mm)
	42" (1067mm)	61" (1549mm)	29 ⁷ / ₈ " (759mm)
	40" (1016mm)	59" (1499mm)	27 ⁷ / ₈ " (708mm)
Rough wall opening:			
Recessed:	15 ⁵ / ₈ " (397mm) Wide x 31 ¹ / ₈ " (791mm) High x 4" (102mm) Deep		

Washroom Accessories
Document No. 8035

Distributed by
www.Ameraproducts.com
Phone: (800) 608-6568
Fax: (409) 840-5545
info@ameraproducts.com