

- Model 155 — Recessed**
- Model 155-10 — Semi-Recessed (recesses 2"; projects 2")**
- Model 155-11 — Surface-Mounted (projects 4")**

Product Materials

FLANGE: 22 gauge stainless steel with exposed surfaces in architectural satin finish. One-piece seamless construction, 1" wide with ¼" return.

CABINET: 26 gauge stainless steel.

DOOR: 22 gauge stainless steel with heavy-duty full-length piano hinge and tumbler lock keyed like other Bradley units.

MIRROR: first quality ¼" float glass triple-silvered, electro-copper plated with baked enamel backing, guaranteed for 15 years against silver spoilage. Protected by shock-absorbing filler.

EXTERIOR SHELF: 22 gauge stainless steel with an area of 60 sq. in.



Capacity

Towel Dispenser — 800 multi-fold or C-fold towels.

Operation

Towel dispenser holds multi-fold or C-fold towels.

Installation

Verify all rough-in dimensions prior to installation. Recessed unit requires rough wall opening 15½"W x 29¼"H x 4"D. Secure to framing with mounting screws (included) at holes provided. Shim at screw points as required.

Guide Specification

Recessed multi-purpose unit consisting of mirror, towel dispenser, and shelf shall be fabricated of stainless steel with exposed surfaces in satin finish. Mirrored door with full-length piano hinge and tumbler lock. Towel dispenser capacity 800 multi-fold or 600 C-fold towels.

Overall dimensions: 17½"W x 30¾"H x 4"D.

Optional Features:

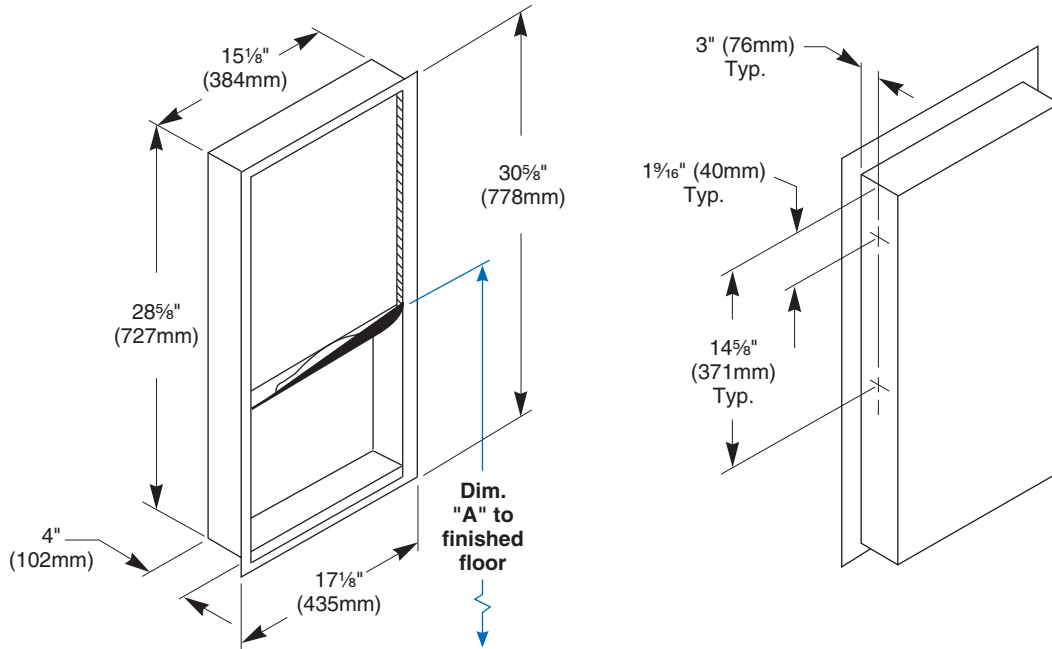
Feature	Suffix
<input type="checkbox"/> Interior shelf, small capacity towel cabinet	-16
<input type="checkbox"/> Stainless steel door in lieu of mirror	-21
<input type="checkbox"/> #8 Stainless steel mirror in lieu of glass	-23
<input type="checkbox"/> Adjustable tilt mirror	-25
<input type="checkbox"/> Cup dispenser	-27

ADA Compliant

- Consult local and national accessibility codes for proper installation guidelines.
- Conformity and compliance to local and national codes is the responsibility of the installer.

Washroom Accessories
Document No. 8015

Dimensions



Dim. "A" Key Surface:	For Dim. "A"	Top of Rough Wall Opening	Bottom of Rough Wall Opening
Mirror's bottom edge of the reflecting surface to finished floor	48" (1219mm)	65 ³ / ₄ " (1670mm)	36 ⁵ / ₈ " (930mm)
	45" (1143mm)	62 ³ / ₄ " (1594mm)	33 ⁵ / ₈ " (854mm)
	42" (1067mm)	59 ³ / ₄ " (1518mm)	30 ⁵ / ₈ " (778mm)
	40" (1016mm)	57 ³ / ₄ " (1467mm)	28 ⁵ / ₈ " (727mm)
Rough wall opening:			
Surface Mount:	No rough opening, see overall dimensions		
Recessed:	15 ⁵ / ₈ " (397mm) Wide x 29 ¹ / ₈ " (740mm) High x 4" (102mm) Deep		
Semi-Recessed:	15 ⁵ / ₈ " (397mm) Wide x 29 ¹ / ₈ " (740mm) High x 2" (51mm) Deep		

Washroom Accessories
Document No. 8015

Distributed by
www.Ameraproducts.com
Phone: (800) 608-6568
Fax: (409) 840-5545
info@ameraproducts.com