



# S53-315 Aerada™ 1200 Series CS Faucet

- ADA compliant hands-free activation
- c/UPC Certified
- Capacitive sensing omni-directional detection zone
- 6VDC control powered by (4) 'D'-cell alkaline batteries (included)
- Optional 100-120VAC plug-in adapter
- Optional 100-120VAC 6-unit plug-in adapter
- Includes 4" anti-rotational trimplate

## Specifications

### Component Operation

6VDC battery-powered control powered by (4) "D"-cell alkaline batteries (included). Average battery life: 500,000 activations. Optional 100-120VAC plug-in adapters are available for both single and multi-faucet applications.

### Flow Control/Rate

Operating water pressure range is 20-80 psi. Flow regulator keeps flow rate constant at all pressures. The flow is laminar and delivers a maximum of 0.16 gpc.

### Body

Chrome plated solid brass body. Centershank or 4" centerset mounting (with included trimplate). 8" trimplate available separately.

## Standard Equipment

The Aerada™ 1200 Series CS faucet creates an omni-directional detection zone utilizing capacitive sensing technology. The capacitive sensing field triggers faucet activation only when a significant change in the capacitive field occurs. Only human presence will create a significant change in the capacitive field. As such, inanimate objects will not trigger faucet activation. The faucet is unaffected by varying skin tones, other infrared presence and soap scum build-up.

### Valve

The electronically activated motor driven valve provides reliable performance since there are few moving parts. Valve includes an in-line filter to trap debris and is unaffected by most chemicals and minerals found in municipal water supplies. Valve features a factory-set maximum water run-on duration of 15 seconds. Valve control module features a manual override control for applications requiring periodic flushing of the water lines. The valve and electronics are enclosed in a water-resistant housing mounted below the fixture.

## Sample Specification

Hands-free capacitive sensing faucet shall be Bradley Aerada 1200 Series CS faucet (S53-315). Capacitive sensing technology creates an omni-directional detection zone enabling faucet activation to occur regardless of angle of approach and requires no infrared sensors. The faucet will only activate when human presence enters the detection zone; inanimate objects will not cause faucet activation. The omni-directional detection zone is automatically calibrated when power is initially supplied to the faucet. The 6VDC faucet is powered by (4) 'D'-cell alkaline batteries (included) concealed inside a remotely located battery box. The electronically activated motor control valve is enclosed in a water-resistant housing mounted beneath the fixture. Valve control module to have maximum water run on duration of 15 seconds providing increased water conservation. Faucet shall feature chrome-plated solid brass spout with centershank, or 4" centerset mounting with included anti-rotational trimplate. Faucet shall be c/UPC approved.

Verify all rough-in dimensions prior to installation.  
Consult local and national codes. Conformity and compliance to local and national codes is the responsibility of the installer.

Page 1 of 1  
11/13/2020  
This information is subject to change without notice.  
Bradley\_Faucets\_S53-315



## Models

### Faucet with Trimplate:

**S53-315** Aerada 1200 Series CS Faucet

## Optional Selections

### Trimplate:

**159-428** 8" Trimplate and Hardware

### Plug-In Adapter:

**153-443** 100-120VAC Plug-In Adapter (Single Faucet)

**153-444** 100-120VAC 6-Unit Adapter (2-6 Faucets)

**269-1841** Wire for 6-Unit Adapter (1 per Faucet)

### Water Supply:

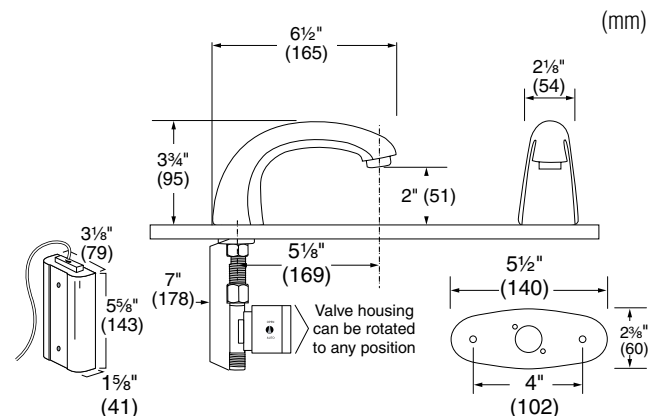
**S45-2760** TMA Navigator® Thermostatic Mixing Valve Pre-Pack with Flexible Hoses and Stops

**S45-2731** TL Flexible Hose and Stop Pre-Pack

### Drain Assembly:

**269-1839-PC** D-ASSY, Drain, Strainer and Tailpiece with Polished Chrome Finish

Standard product selections contained within this document are third party **CERTIFIED** to NSF/ANSI 372 meeting the Lead-Free content requirement. Any product configured with custom options will be **COMPLIANT** with NSF/ANSI 372 meeting the Lead-Free content requirement.



© 2020 Bradley  
P.O. Box 309, Menomonee Falls, WI 53052-0309

