



# COMFORT MEETS DESIGN

The Spa Seat is elegant and versatile. Have a seat while scrubbing the bottoms of your feet or use this shower stool as a foot rest when shaving your legs! The Spa Seat makes resting in the shower safe and easy!

## the **Spa Seat**<sup>™</sup>

- Large, comfortable seat (11" x 11")
- Sleek and modern design
- Strong and durable aluminum legs
- Rust proof
- Fits perfectly in small, tight spaces
- Maximum 265 lbs
- No assembly required

Model #70060

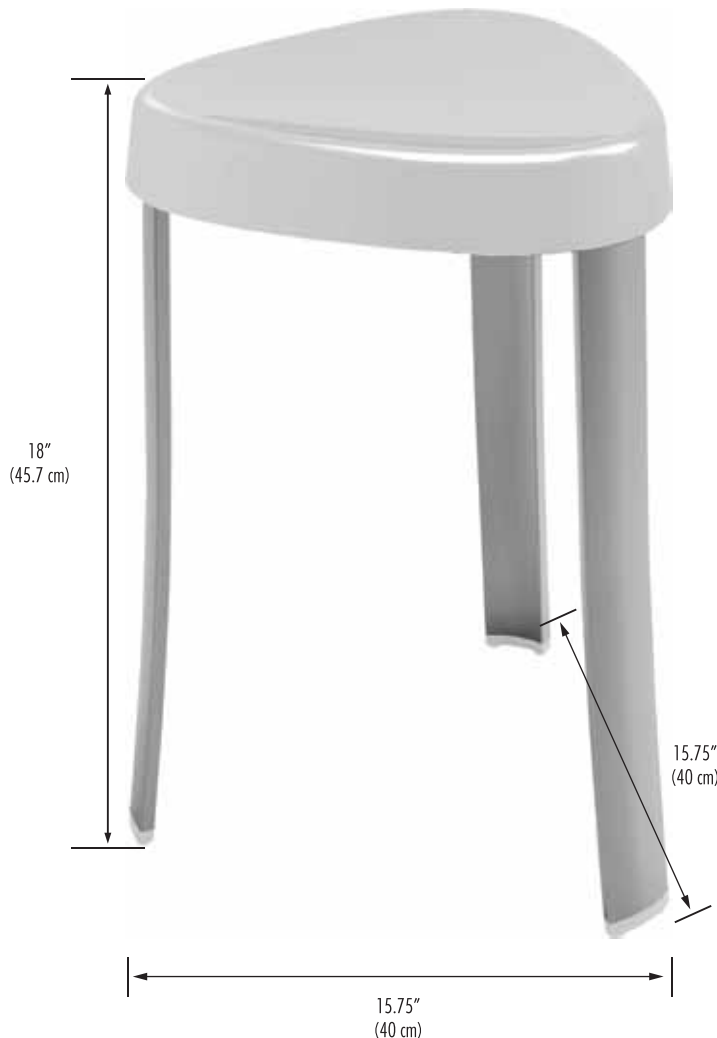


Distributed by  
[www.Ameraproducts.com](http://www.Ameraproducts.com)  
Phone: (800) 608-6568  
Fax: (409) 840-5545  
[info@ameraproducts.com](mailto:info@ameraproducts.com)

# SPECIFICATIONS

**Part Number** 70060  
**Description** Spa Seat  
**Finish** White  
**UPC Code** 7-73315-70060-5

**Product Dimension** 15.75" w x 15.75" d x 18" h  
 40 cm (w) x 40 cm (d) x 45.7 cm (h)  
**Product Weight** 2.3 lbs (1.06 kg)  
**Package Dimension** 15.75" w x 15.75" d x 18" h  
 40 cm (w) x 40 cm (d) x 45.7 cm (h)  
**Package Weight** 2.5 lbs (1.12 kg)  
**Master Carton Qty** 4  
**Master Carton Dim.** 16.3" w x 16.3" d x 20.7" h  
 41.5 cm (w) x 41.5 cm (d) x 52.5 cm (h)  
**Master Carton Weight** 12.1 lbs (5.48 kg)  
**Master Carton Cube** 3.2 ft<sup>3</sup> (0.091 m<sup>3</sup>)  
**HSTC # Canada** 9401.79.0046



Distributed by  
[www.AmeraProducts.com](http://www.AmeraProducts.com)  
 Phone: (800) 608-6568  
 Fax: (409) 840-5545  
[info@ameraproducts.com](mailto:info@ameraproducts.com)