

Instructions

1. Print this form.
2. Fill in your Contact Information and Shipping Address.
3. Fill in Width and Depth for each stall.
4. Fax to **(409) 840-5545**

To:

AmeraProducts, Inc. - Estimator

Contact Information:

Name : _____

Phone : _____ Ext. _____

FAX : _____

Email : _____

Shipping Address:

Street : _____

City : _____

State : _____ Zip : _____

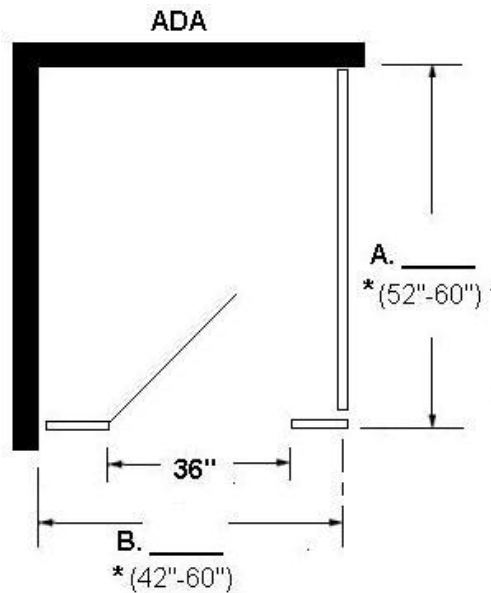
Type (Circle One):

- Floor Anchored / Overhead Braced
- Ceiling Hung
- Floor Anchored
- Floor-to-Ceiling Anchored

Material (Circle One):

- Plastic Laminate
- Baked Enamel
- Solid Plastic
- Phenolic
- Stainless Steel

Color : _____
(does not apply to stainless steel)



*Dimensions shown are for a common bathroom stall size. In most cases stalls can be made to fit any size or configuration.

(800) 608-6568 www.AmeraProducts.com info@ameraproducts.com

Copyright © 1999-2006 AmeraProducts, Inc.

