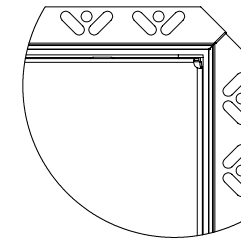
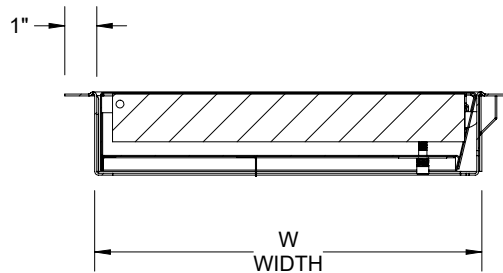


SECTION A-A



DETAIL D  
DRYWALL BEAD DETAIL  
SCALE 1 : 4

Distributed by  
www.Ameraproducts.com  
Phone: (800) 608-6548  
FAX: (409) 840-3541  
info@ameraproducts.com



SECTION B-B



**ROUGH OPENING:**  $W + 0.25" \times H + 0.25"$   
**CLEAR OPENING:**  $W - 3.25 \times H - 1.125$   
**DEGREE OF OPENING:**  $120^\circ$

**HORIZONTAL**  
 1 HR WOOD-FRAME CONSTRUCTION  
 3 HR NON-COMBUSTABLE CONSTRUCTION  
**VERTICAL**  
 1-1/2 HOUR "B" LABEL  
 ON SIZES UP TO AND INCLUDING 24" W X 36" H

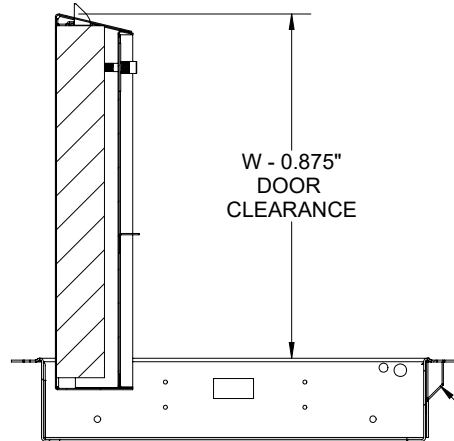
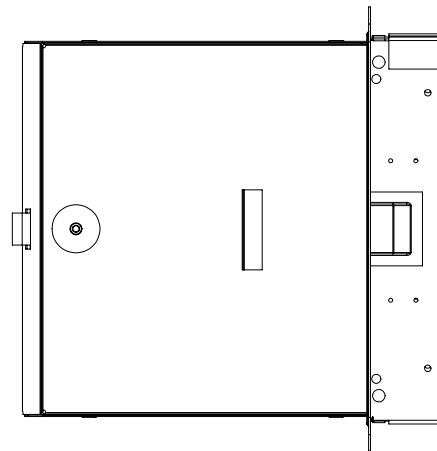
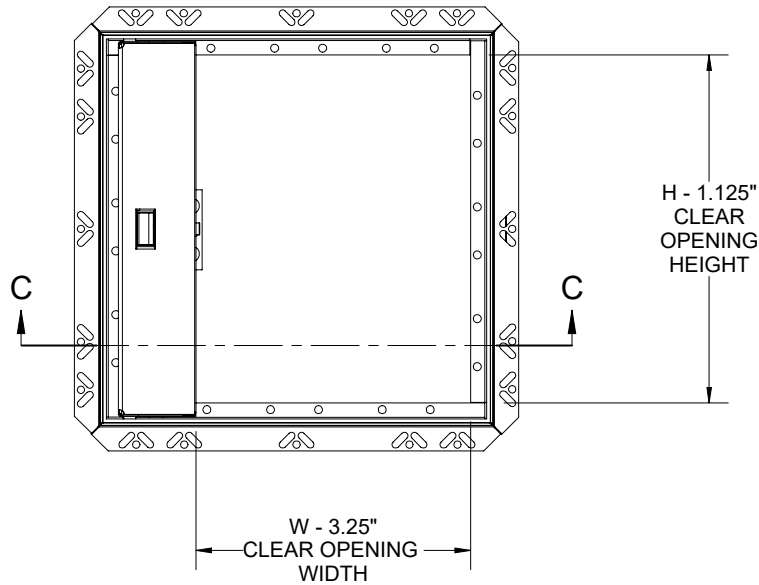
NOTES:

- ① **FRAME:** Cold Rolled Steel 16 ga, Drywall Bead
- ② **DOOR:** Cold Rolled Steel, 20 Ga
- ③ **FINISH:** White Powder Coat
- ④ **HINGE:** Concealed Pin Hinge
- ⑤ **SECONDARY LATCH:** Varies
- ⑥ **LOCK:** Knurled Knob/Keyed Slam Latch
- ⑦ **INSULATION:** 2" Thick Fire Rated Mineral Wood 8 R-Value



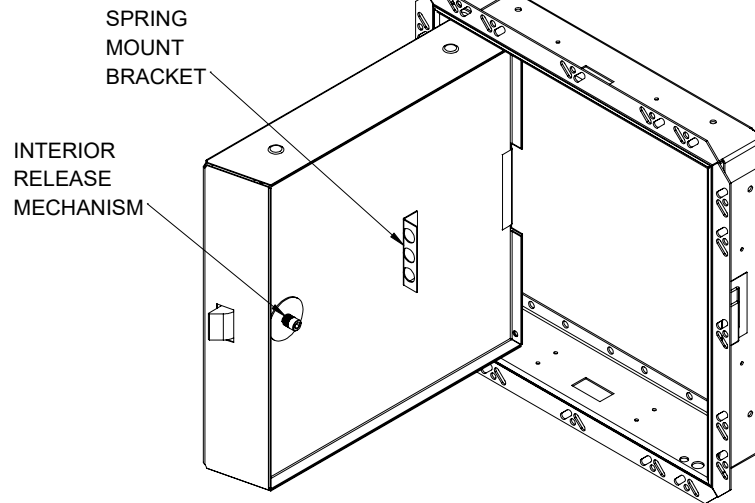
PROJECT:				
ARCHITECT:				
CONTRACTOR:				
QTY:				
PART#:	BIWK_			
<b>babcockdavis</b> 9300 73rd Avenue North Brooklyn Park, MN 55428	TITLE: Access Door, Fire-rated, WxH, Insulated CRS, Flush Dr, Drywall Flg			
NAME	DATE	SIZE	DWG. NO.	REV
DRAWN		A	BIWK ShpDr	-
RELEASED			WEIGHT: VARIES	SHEET 1 OF 2

Distributed by  
 www.Ameraproducts.com  
 Phone: (800) 608-6548  
 Fax: (407) 840-5542  
 info@ameraproducts.com



SECTION C-C

LATCH BOLT COVER EXTENDS 1/2\"/>



			TITLE: Access Door, Fire-rated, WxH, Insulated CRS, Flush Dr, Drywall Flg		
9300 73rd Avenue North Brooklyn Park, MN 55428			SIZE	DWG. NO.	REV
DRAWN	NAME	DATE	A	BIWK ShpDr	-
RELEASED			WEIGHT: VARIES	SHEET 2 OF 2	