

SECTION B-B

ROUGH OPENING: " X "  
 CLEAR OPENING: " X "  
 DEGREE OF OPENING: °  
 CAM QTY: Latch Side  
 Top/Bottom Side

NOTES:

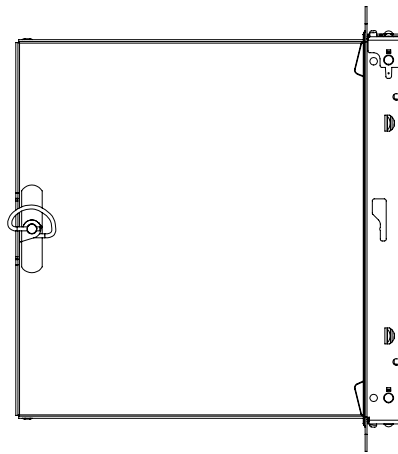
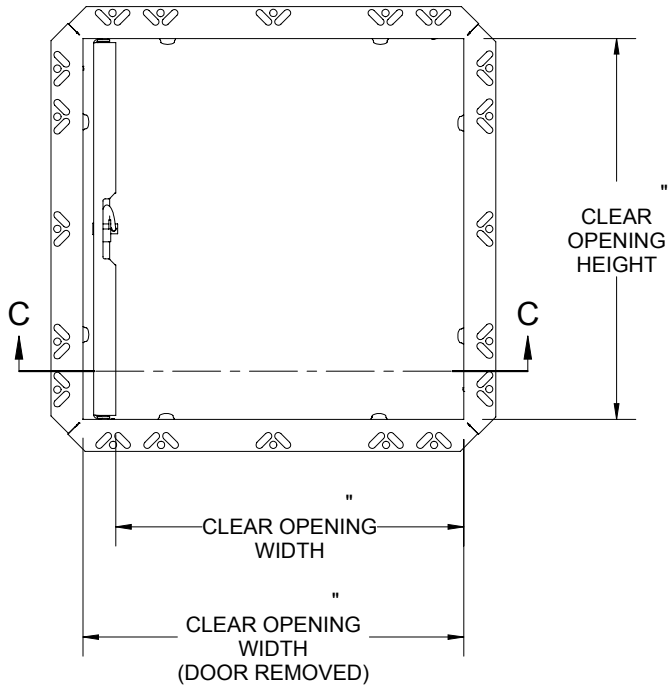
- ① **FRAME:** 16 Ga Steel, 1" Drywall Bead
- ② **DOOR:** 16 Ga Steel
- ③ **FINISH:** White Pwd
- ④ **HINGE:**
- ⑤ **LATCH:**



PROJECT:			
ARCHITECT:			
CONTRACTOR:			
QTY#:			
PART#:			
TITLE:			
 9300 73rd Avenue North Brooklyn Park, MN 55428			
NAME	DATE	SIZE	DWG. NO.
DRAWN		A	
RELEASED			
			REV -
			SHEET 1 OF 2

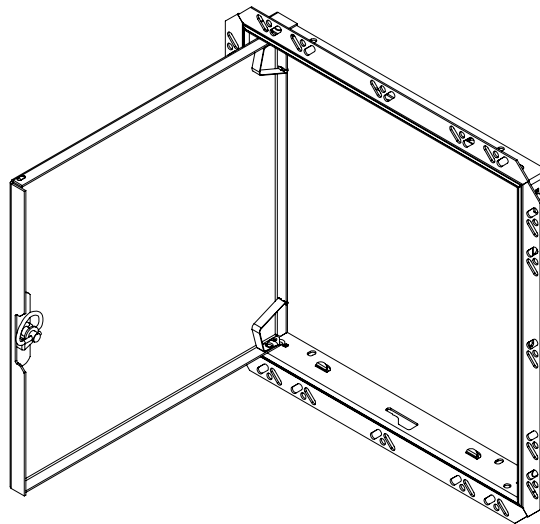
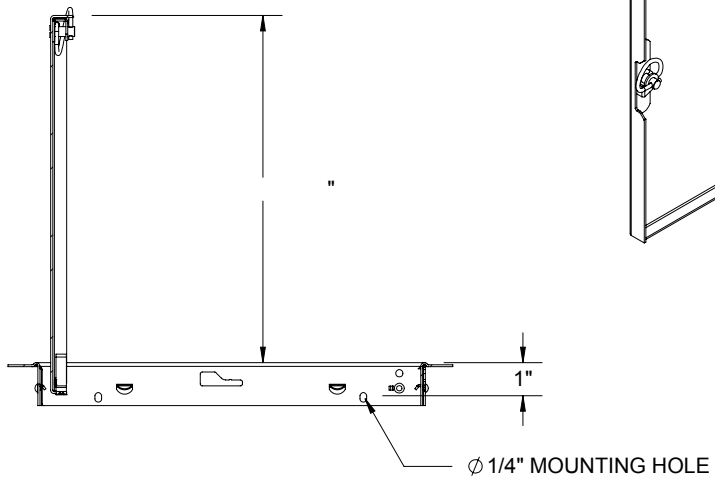
B

B



A

A



PART#:		TITLE:		
9300 73rd Avenue North Brooklyn Park, MN 55428				
NAME	DATE	SIZE	DWG. NO.	REV
DRAWN		A		-
RELEASED				

PROPRIETARY AND CONFIDENTIAL: THE INFORMATION CONTAINED IN THIS DRAWING IS THE SOLE PROPERTY OF BABCOCK-DAVIS. ANY REPRODUCTION IN PART OR AS A WHOLE WITHOUT THE WRITTEN PERMISSION OF BABCOCK-DAVIS IS PROHIBITED.