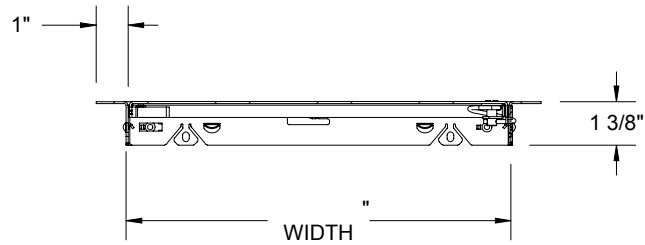
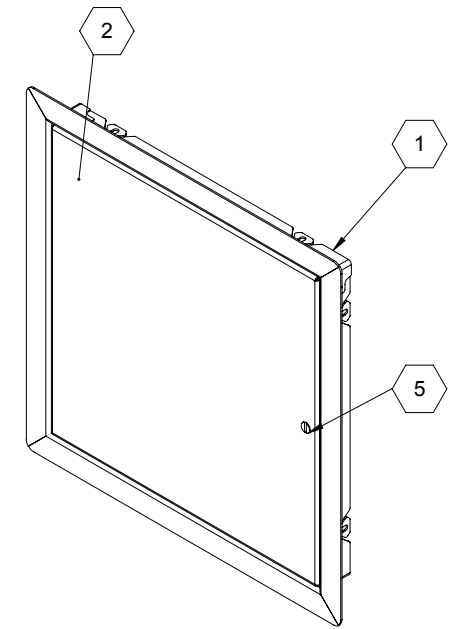


SECTION A-A



SECTION B-B

ROUGH OPENING: " X " "
 CLEAR OPENING: " X " "
 DEGREE OF OPENING: °
 CAM QTY: Latch Side
 Top/Bottom Side

NOTES:

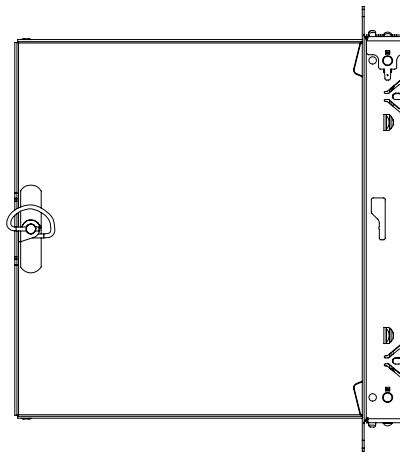
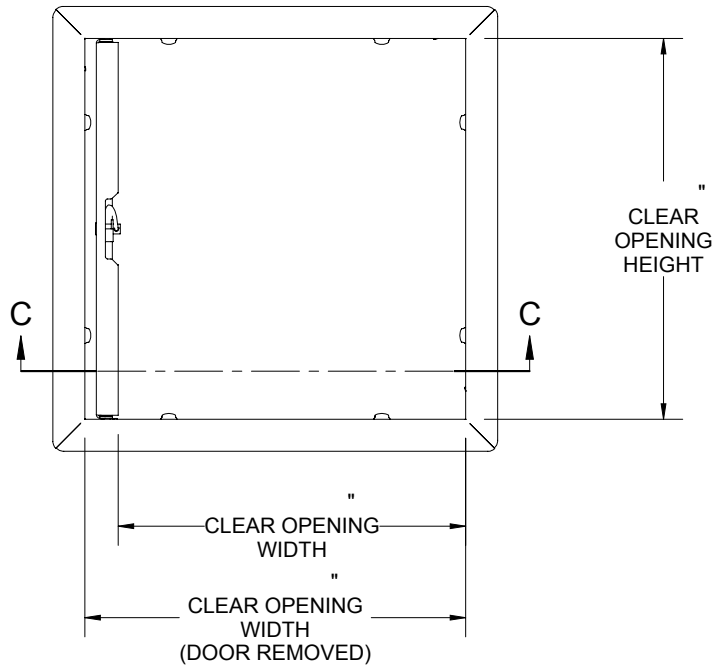
- ① **FRAME:** 16 Ga Steel, 1" Flange
- ② **DOOR:** 16 Ga Steel
- ③ **FINISH:** White Pwd
- ④ **HINGE:**
- ⑤ **LATCH:**
- ⑥ **LOCK:** No Lock



PROJECT:			
ARCHITECT:			
CONTRACTOR:			
QTY#:			
PART#:			
		TITLE:	
		9300 73rd Avenue North Brooklyn Park, MN 55428	
NAME	DATE	SIZE	DWG. NO.
DRAWN		A	
RELEASED			
			REV -
			SHEET 1 OF 2

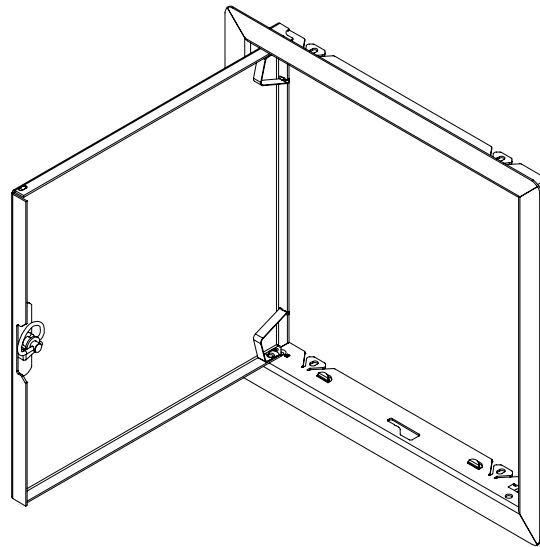
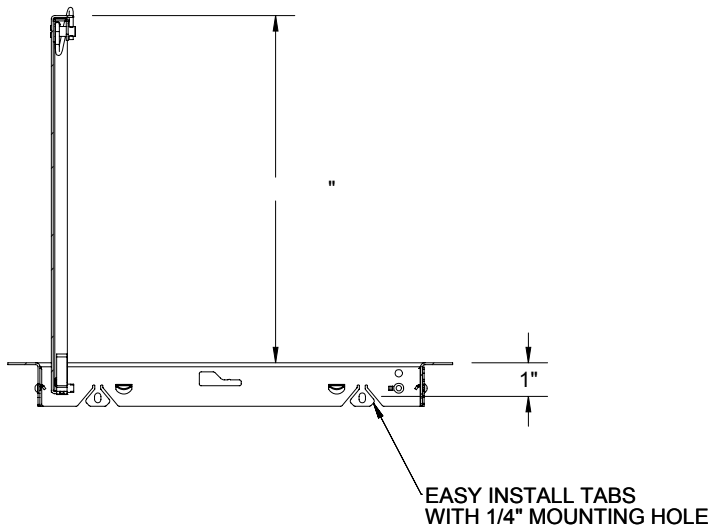
B

B



A

A



Distributed by
www.Ameraproducts.com
 Phone: (800) 608-6568
 Fax: (409) 840-3545
info@ameraproducts.com

PART#:		TITLE:			
9300 73rd Avenue North Brooklyn Park, MN 55428					
NAME	DATE	SIZE	DWG. NO.	REV	
DRAWN		A		-	
RELEASED					

PROPRIETARY AND CONFIDENTIAL: THE INFORMATION CONTAINED IN THIS DRAWING IS THE SOLE PROPERTY OF BABCOCK-DAVIS. ANY REPRODUCTION IN PART OR AS A WHOLE WITHOUT THE WRITTEN PERMISSION OF BABCOCK-DAVIS IS PROHIBITED.