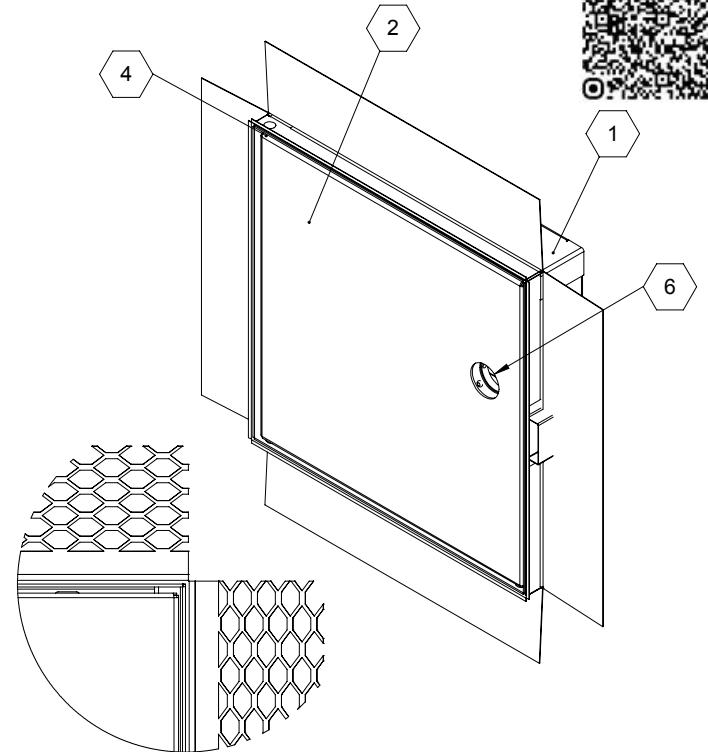
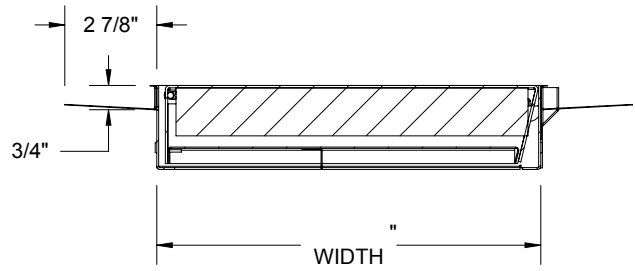


SECTION A-A



DETAIL D
PLASTER BEAD DETAIL
SCALE 1 : 4



SECTION B-B

ROUGH OPENING: " X " X
 CLEAR OPENING: " X " X
 DEGREE OF OPENING: °

NOTES:

- ① **FRAME:**
- ② **DOOR:**
- ③ **FINISH:**
- ④ **HINGE:**
- ⑤ **SECONDARY LATCH:**
- ⑥ **LOCK:** Mortise Prep
- ⑦ **INSULATION:** 2" Thick Fire Rated Mineral Wool, 8 R-Value



VERTICAL
1-1/2 HOUR "B" LABEL



| | | | | |
|---|------|------|----------|-----|
| PROJECT: | | | | |
| ARCHITECT: | | | | |
| CONTRACTOR: | | | | |
| QTY: | | | | |
| PART#: | | | | |
| TITLE: | | | | |
| babcockdavis [®] | | | | |
| 9300 73rd Avenue North Brooklyn Park, MN 55428 | | | | |
| NAME | DATE | SIZE | DWG. NO. | REV |
| DRAWN | | A | | - |
| RELEASED | | | | |

PROPRIETARY AND CONFIDENTIAL: THE INFORMATION CONTAINED IN THIS DRAWING IS THE SOLE PROPERTY OF BABCOCK-DAVIS. ANY REPRODUCTION IN PART OR AS A WHOLE WITHOUT THE WRITTEN PERMISSION OF BABCOCK-DAVIS IS PROHIBITED.

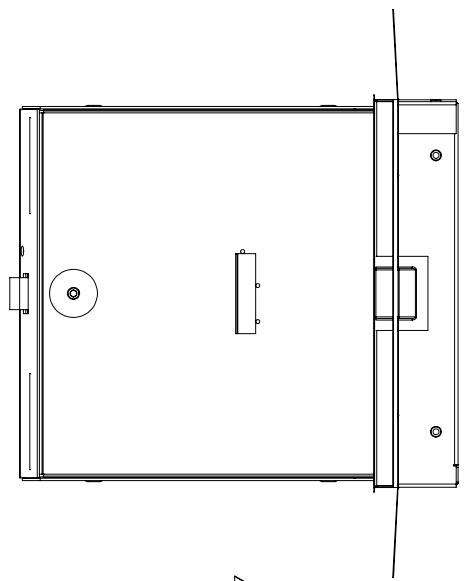
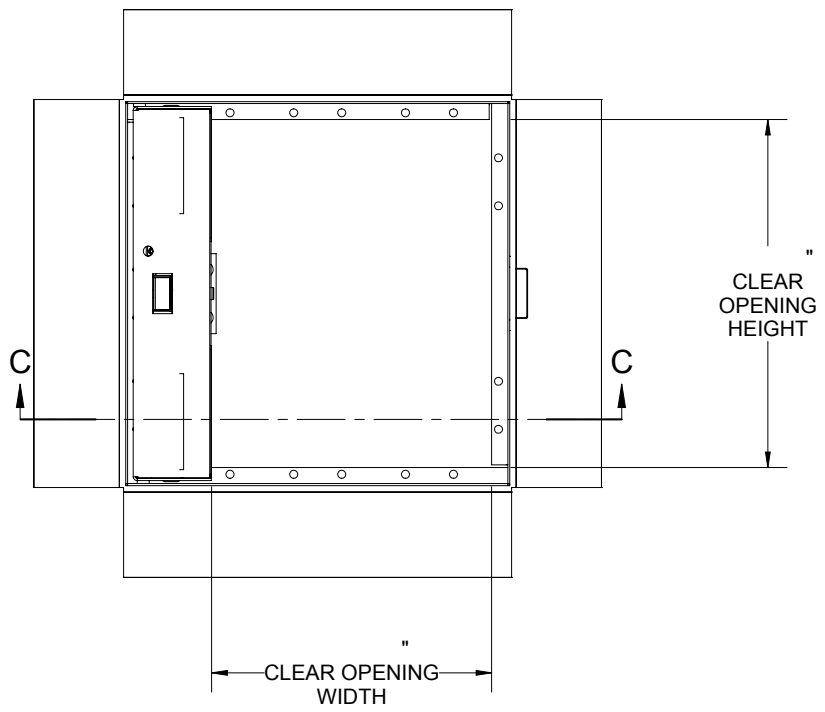


2

1

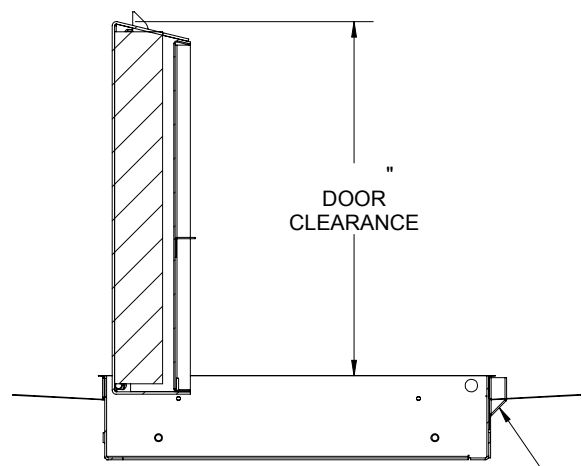
B

B



A

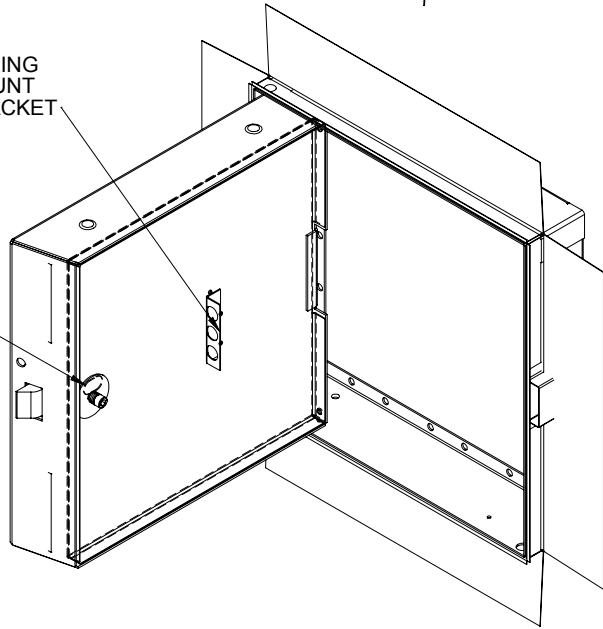
A



LATCH BOLT COVER
EXTENDS 1/2" BEYOND
OUTSIDE EDGE OF FRAME

SPRING
MOUNT
BRACKET

INTERIOR
RELEASE
MECHANISM



Distributed by
www.Ameraproducts.com
Phone: (800) 608-6548
Fax: (407) 840-5542
info@ameraproducts.com

| | | | | | |
|---|------|--------|----------|-----|--|
| PART#: | | TITLE: | | | |
| | | | | | |
| 9300 73rd Avenue North Brooklyn Park, MN 55428 | | | | | |
| NAME | DATE | SIZE | DWG. NO. | REV | |
| DRAWN | | A | | - | |
| RELEASED | | | | | |

PROPRIETARY AND CONFIDENTIAL: THE INFORMATION CONTAINED IN THIS DRAWING IS THE SOLE PROPERTY OF BABCOCK-DAVIS. ANY REPRODUCTION IN PART OR AS A WHOLE WITHOUT THE WRITTEN PERMISSION OF BABCOCK-DAVIS IS PROHIBITED.

SHEET 2 OF 2

2

1