

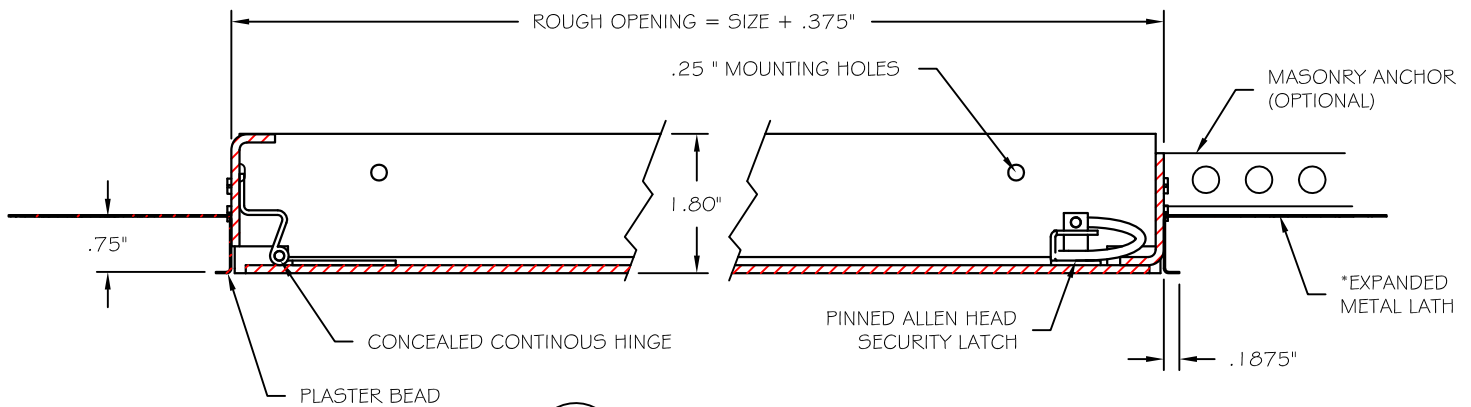
FRONT ELEVATION  
NOT TO SCALE

## SPECIFICATIONS

- 12 GAUGE COLD ROLLED STEEL FRAME
- 12 GAUGE COLD ROLLED STEEL DOOR
- 22 GAUGE GALVANIZED STEEL PLASTER BEAD WITH EXPANDED LATH \*SEE NOTE BELOW
- WHITE BAKED ON POWDER COAT FINISH
- CONCEALED CONTINUOUS HINGE
- FRAMES ARE PROVIDED WITH .25" MOUNTING HOLES
- PINNED ALLEN HEAD SECURITY CAM LATCH (ADDITIONAL CAMS PROVIDED ON PANELS 18" X 18" AND GREATER IN SIZE)

## OPTIONS

- GALVANIZED BONDERIZED STEEL MASONRY ANCHORS
- STAINLESS STEEL WITH A #4 SATIN POLISH FINISH



CUT-THRU SECTION  
NOT TO SCALE



**babcockdavis**

Distributed by  
[www.Ameraproducts.com](http://www.Ameraproducts.com)  
 Phone: (800) 608-6548  
 Fax: (409) 840-3341  
[info@ameraproducts.com](mailto:info@ameraproducts.com)

Standard Features:

- Door: 12 gauge cold rolled steel
- Frame: 12 gauge cold rolled steel with 22 ga galvanized plaster casing bead
- Hinge: Concealed continuous hinge
- Latch: Pinned allen head security cam latch(es)  
Optional: mortise cylinder preparation (cylinder provided by factory or by others) or heavy duty detention lock preparation (lock provided by factory or others)
- Finish: White baked on powder coat  
Optional: galvanized bonderized or stainless steel with #4 satin polish finish

Specifications:

Frame shall be 12 gauge cold rolled steel with 22 gauge galvanized plaster casing bead. Door shall be fabricated from 12 gauge cold rolled steel. Hinge shall be concealed continuous hinge. Latch(es) shall be pinned allen head security cam latch(es), (optional preparation to receive 1 1/8" mortise cylinder - cylinder provided by factory or others or heavy duty detention lock preparation - lock provided by factory or others). Finish shall be white baked on powder coat (optional: galvanized bonderized steel or stainless steel with #4 satin polish finish).

Installation shall be in accordance with manufacturers instructions. Manufacturer shall guarantee against defects in material and workmanship for a period of one year.

Standard Sizes:

| Std Sizes (in) | Std Sizes (mm) | Weight/Latches | Std Sizes (in) | Std Sizes (mm) | Weight/Latches |
|----------------|----------------|----------------|----------------|----------------|----------------|
| 06x06*         | 152x152        | 18/1           | 20x30          | 508x762        | 56/3           |
| 08x08          | 203x203        | 20/1           | 22x22          | 559x559        | 49/2           |
| 10x10          | 254x254        | 23/1           | 22x30          | 559x762        | 58/3           |
| 12x12          | 305x305        | 24/1           | 24x24          | 610x610        | 52/4           |
| 12x18          | 305x457        | 30/1           | 24x30          | 610x762        | 60/5           |
| 12x24          | 305x610        | 35/2           | 24x36          | 610x914        | 68/5           |
| 14x14          | 356x356        | 26/1           | 24x48          | 610x1219       | 94/5           |
| 16x16          | 406x406        | 32/1           | 30x30          | 762x762        | 70/5           |
| 16x20          | 406x508        | 36/2           | 32x32          | 813x813        | 76/5           |
| 18x18          | 457x457        | 36/2           | 36x36          | 914x914        | 95/6           |
| 18x24          | 457x610        | 48/2           | 36x48          | 914x1219       | 123/6          |

\* Sizes specified have only cam style latching options.  
All units are hinged on the second dimension (height). Rough opening is door size plus 3/8".

