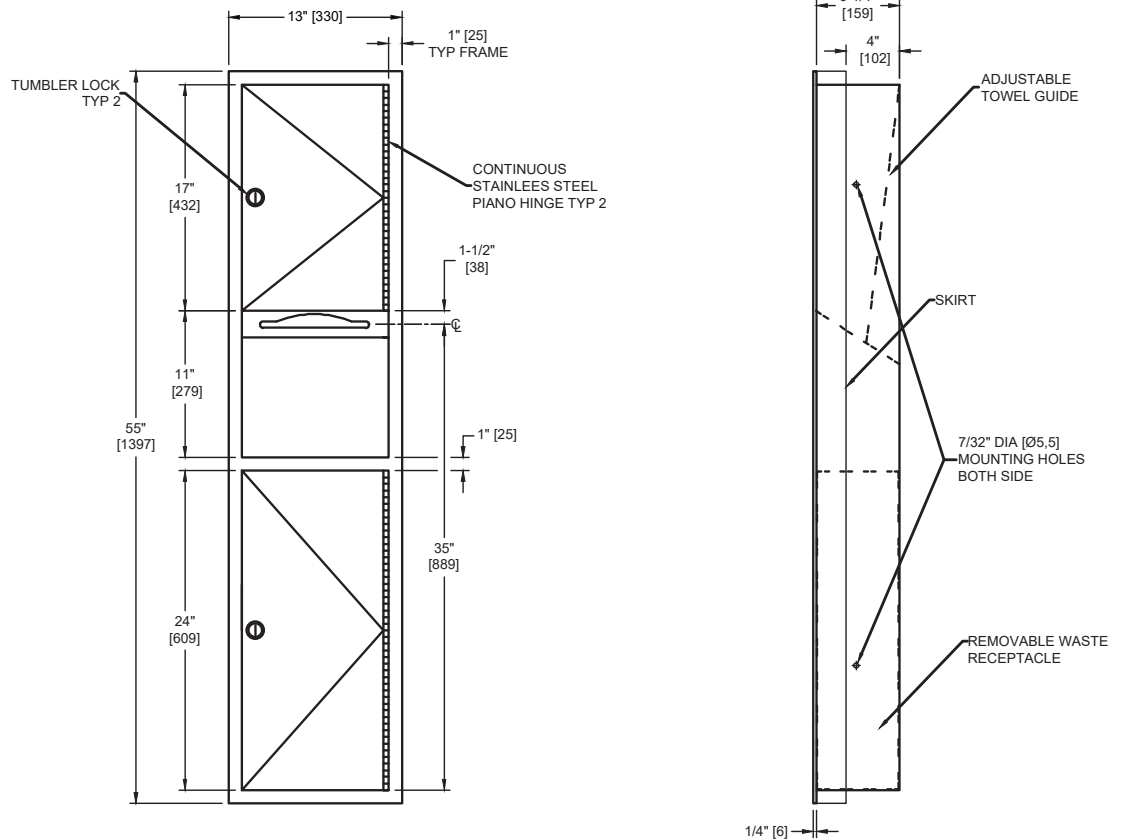


Paper Towel Dispenser & Waste Receptacle – Semi-Recessed

Paper Towel Combination Units

Traditional

MasterFormat Section 10 28 13



Scan for Information



SUSTAINABILITY/LEED

MR 4.1 (1) EQ 4.1 (1)
MR 4.2 (1) EQ 4.2 (1)
MR 6 (1) EQ 4.4 (1)

NOTE:
ALL DIM'S INCH [MM]
ILLUSTRATION FOR REF ONLY AND NTS
FOR CLEANING INSTRUCTIONS SEE APPROPRIATE SECTIONS IN
PRODUCT CARE & MAINTENANCE BULLETIN (PCM) ON ASI WEBSITE

PRODUCT OVERVIEW

Dispenses 600 C-fold, 800 multi-fold or 1100 single-fold paper towels and includes a stainless steel waste receptacle with the capacity of 7 gal. (26 L). Adjustable guide provided to allow dispensing of multi-fold or C-fold paper towels. Semi-recessed with 2" stainless steel collar.

KEY FEATURES & SPECIFICATIONS

- Double-pan construction door has "no-Flex" fiberboard filler for added rigidity and strength
- Door is attached to the cabinet with a 3/16" diameter [Ø5] Heavy-duty, Multi-Staked Stainless Steel Piano Hinge
- 22 gauge Type 304 Stainless Steel - Satin Finish
- Semi-Recessed - w/ -2 collar
- 600 C-Fold or 800 Multi-Fold OR 1,100 Single-Fold / 7 Gal. (26.5 L) Waste Capacity

OPERATION & MAINTENANCE

Towels are self-feeding until supply is depleted. Unit may be reloaded with a partial load in-place and will continue to feed properly. Waste container is emptied manually on cycle determined by maintenance needs. Locked compartment prevents unauthorized access.

TECHNICAL INFORMATION / PRODUCT PROPERTIES

Property	Value
Dimensions	13" [330] W x 55" {1397} H x 6-1/4" [159] D
Construction	Type 304 Stainless Steel - Satin Finish
Mounting	Semi-Recessed - w/ -2 collar
Capacity	600 C-Fold or 800 Multi-Fold OR 1,100 Single-Fold / 7 Gal. (26.5 L) Waste Capacity

INSTALLATION

Unit is semi-recessed in wall recess using #10 self-threading screws (by others) through concealed mounting holes provided. For compliance with 2010 ADA Accessibility Standards mount unit with centerline of towel outlet 48" [1219] maximum Above Finish Floor (AFF). Note that top of RWO is 3/4" [19] below top of unit. SR collar is installed on cabinet prior to mounting in wall recess following procedure described on SR Collar Data Sheet.

Rough Wall Opening (RWO) required is 11-1/2" [292] W x 53-1/2" [1359] H x 4" [102] D minimum

WARRANTY

One (1) Year from date of Invoice