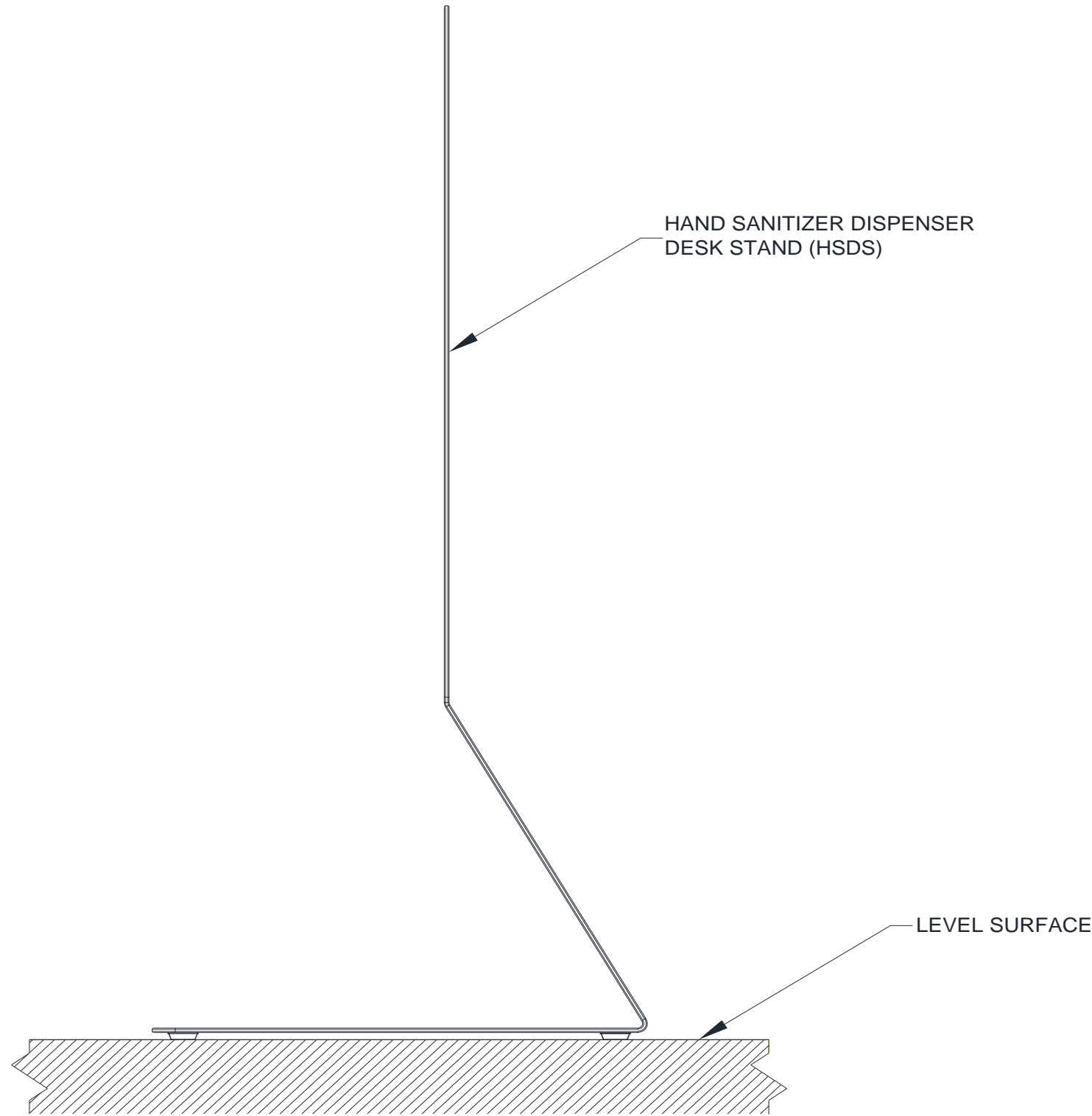


1. INSTALLATION:

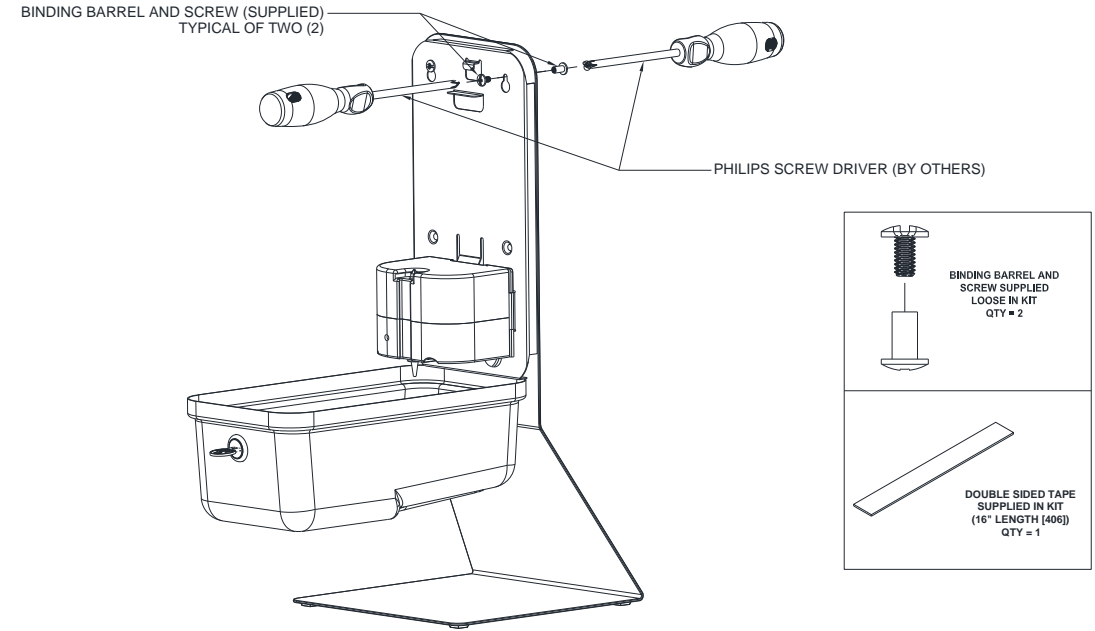
- 1.1 Place Hand Sanitizer Dispenser Desk Stand (HSDS) on a level surface.
- 1.2 Unit should be placed in location to maximize access by pedestrian traffic and to not interfere with any accessible route clearances.



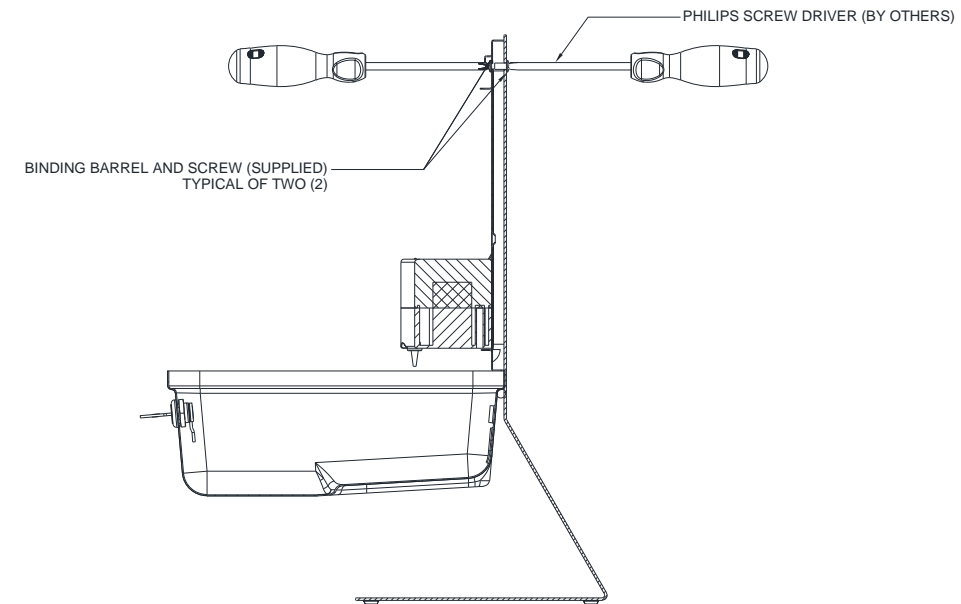
2. STEPS TO INSTALL 20364 AND 20365

- 2.1 Secure dispenser (supplied separately) to the stand mounting plate with two (2) screw-posts (supplied) through concealed mounting holes in the dispenser back.
- 2.2 Use two (2) #2 Philips bit screw drivers (by others) into binding barrels (supplied) inserted from behind the mounting plate.
- 2.3 Follow detailed Set-up instructions & provided in dispenser Owner Manual (OM) provided with dispenser.
- 2.4 When assembly is completed no fasteners are visible on exposed dispenser surfaces.

DISPENSER SUPPLIED SEPARATELY.
MODEL N° 20364 DISPENSER SHOWN FOR REF ONLY.
(MODEL N° 20365 SIMILAR)



DISPENSER SUPPLIED SEPARATELY.
MODEL N° 20364 DISPENSER SHOWN FOR REF ONLY.
(MODEL N° 20365 SIMILAR)

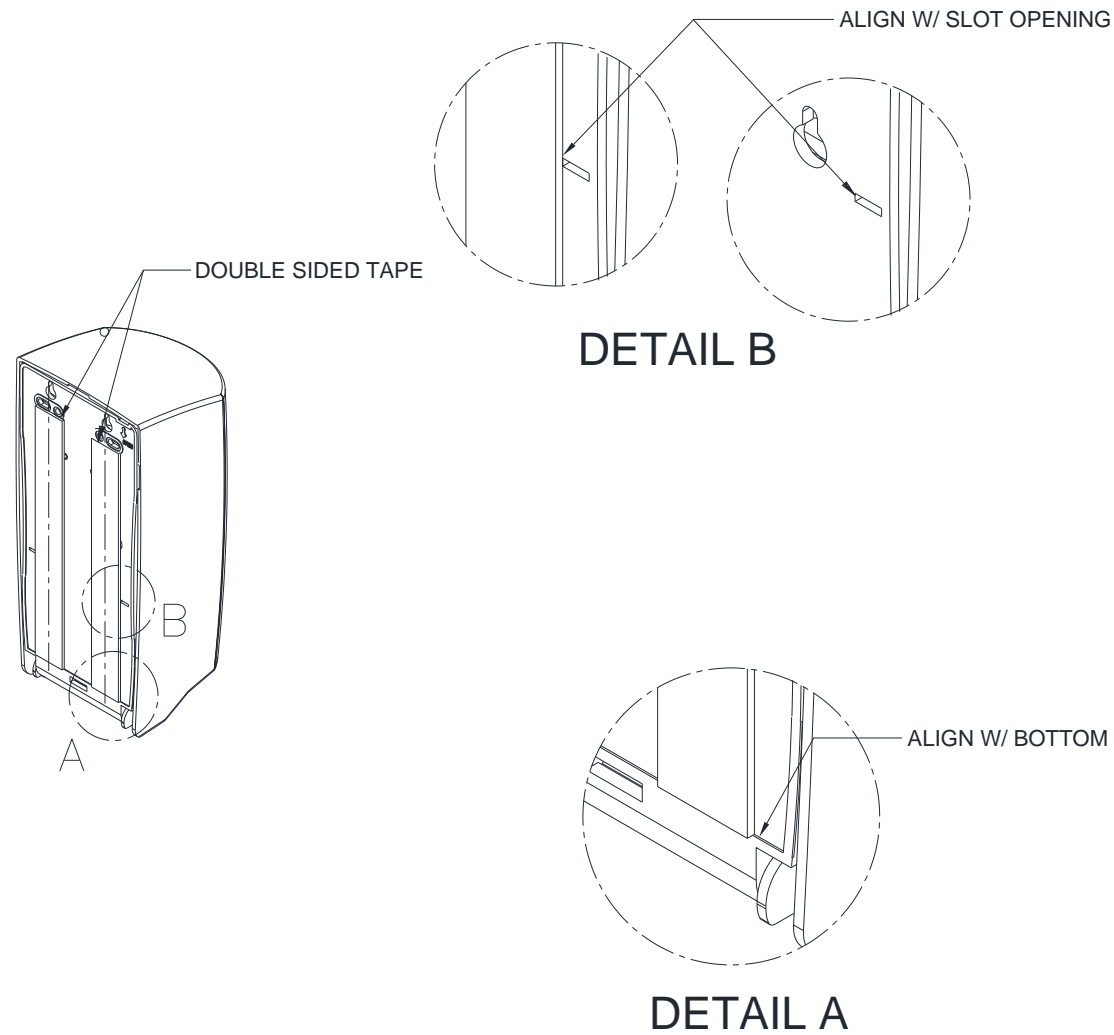


Distributed by
www.Ameraproducts.com
Phone: (800) 608-6568
Fax: (409) 840-5545
info@ameraproducts.com



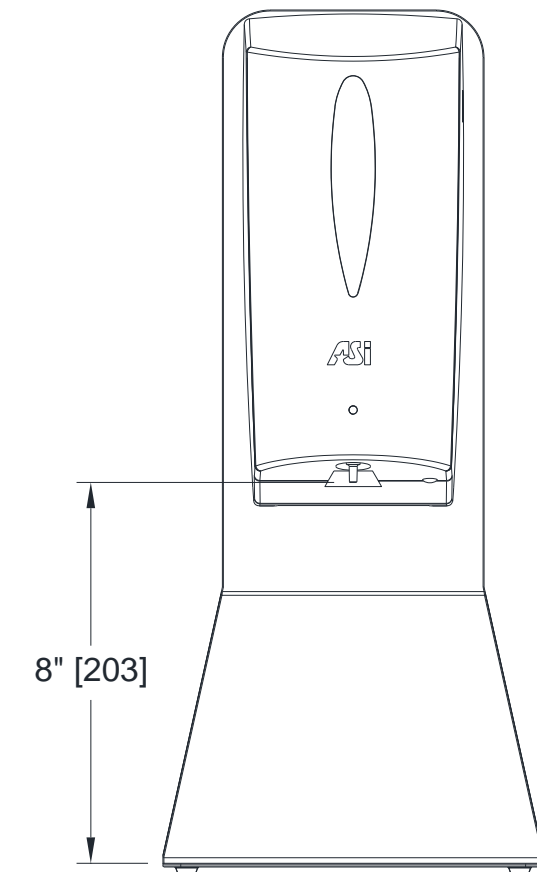
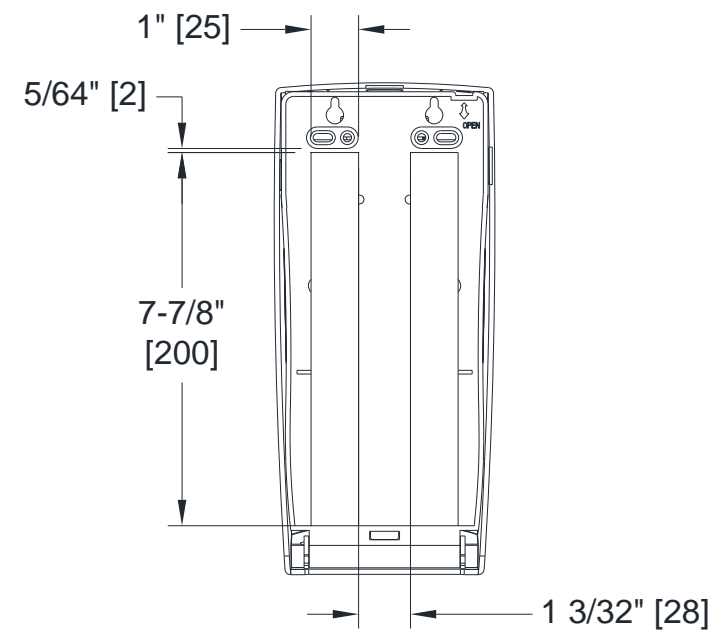
2. STEPS TO INSTALL 0361

- 2.1 Clean dispenser back with Isopropyl Alcohol. Allow to dry completely.
- 2.2 Cut the 16" double sided tape (supplied) into two (2) lengths of 7-7/8" [200] as shown on diagram.
- 2.3 Adhere tape strips per diagram with no wrinkles or air bubbles, with liners in place, press to ensure even attachment.
- 2.4 Clean HSDS mounting plate with Isopropyl Alcohol. Allow to dry completely.
- 2.5 Mark alignment guidelines on HSDS mounting plate (or use blue painters tape, by others) for dispenser outline.
- 2.6 Remove liner strips from tapes.
- 2.7 While aligning dispenser straight with marked lines press evenly and maintain pressure for 1 hour before using.



0361-SUGESTED LOCATION FOR TAPE INSTALLATION

DISPENSER SUPPLIED SEPARATELY.
MODEL N° 0361 DISPENSER SHOWN FOR REF ONLY

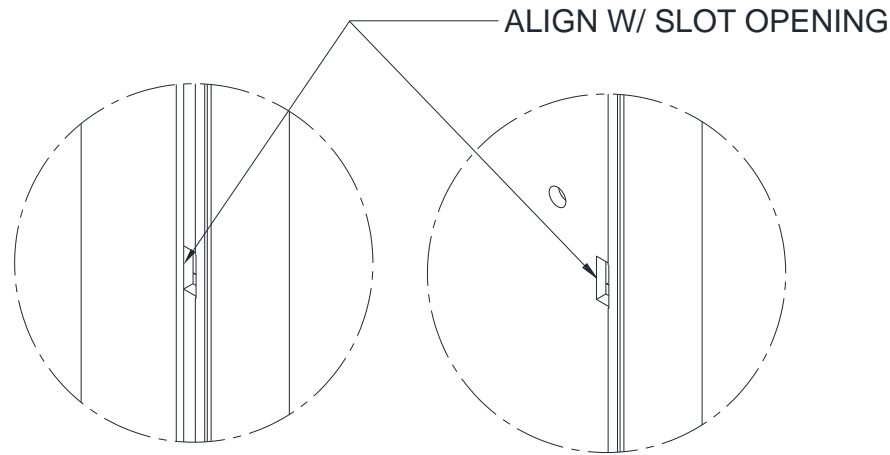


Distributed by
www.Ameraproducts.com
 Phone: (800) 608-6568
 Fax: (409) 840-5545
info@ameraproducts.com

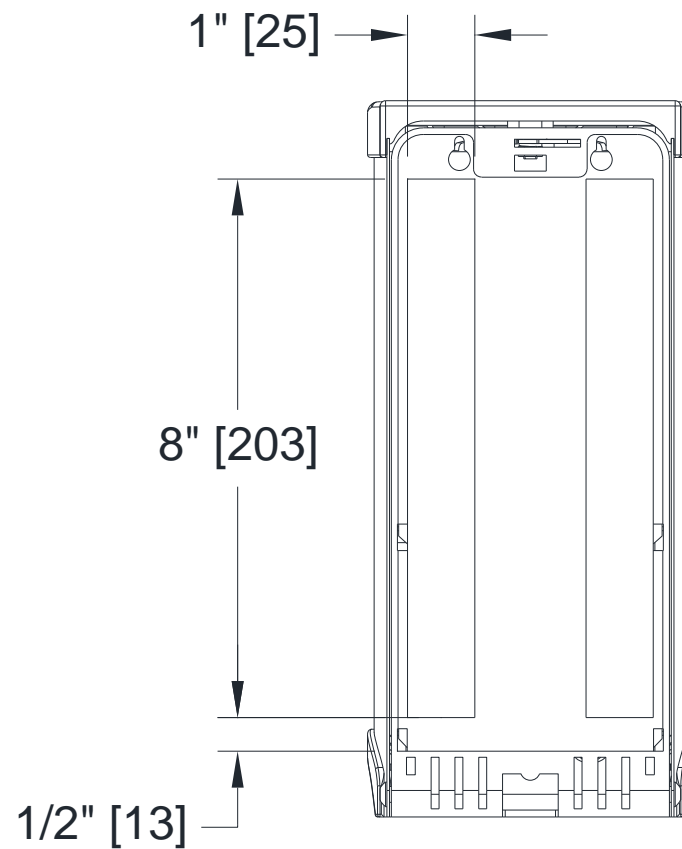
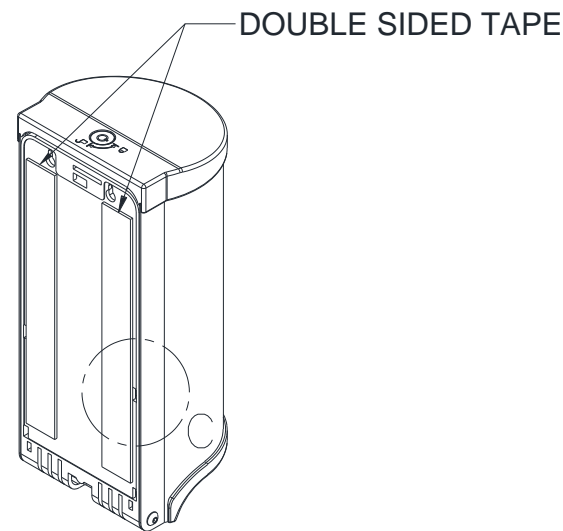


2. STEPS TO INSTALL 0362

- 2.1 Clean dispenser back with Isopropyl Alcohol. Allow to dry completely.
- 2.2 Cut the 16" double sided tape (supplied) into two (2) lengths of 8" [203] as shown on diagram.
- 2.3 Adhere tape strips per diagram with no wrinkles or air bubbles, with liners in place, press to ensure even attachment.
- 2.4 Clean HSDS mounting plate with Isopropyl Alcohol. Allow to dry completely.
- 2.5 Mark alignment guidelines on HSDS mounting plate (or use blue painters tape, by others) for dispenser outline.
- 2.6 Remove liner strips from tapes.
- 2.7 While aligning dispenser straight with marked lines press evenly and maintain pressure for 1 hour before using.

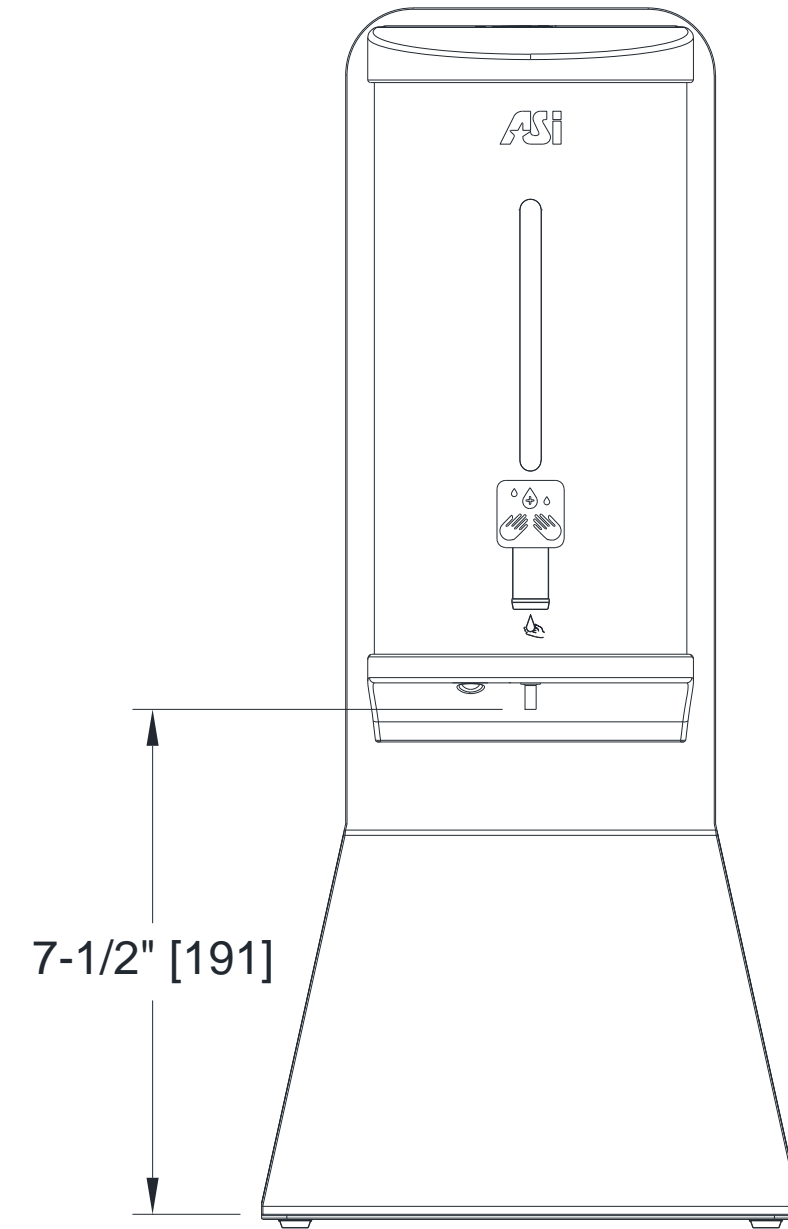


DETAIL C



0362-SUGESTED LOCATION FOR TAPE INSTALLATION

DISPENSER SUPPLIED SEPARATELY.
MODEL N° 0362 DISPENSER SHOWN FOR REF ONLY

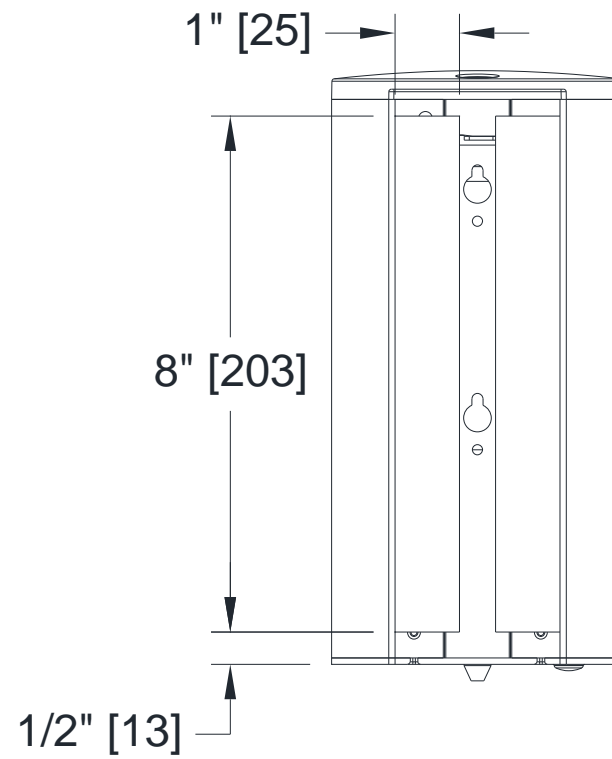
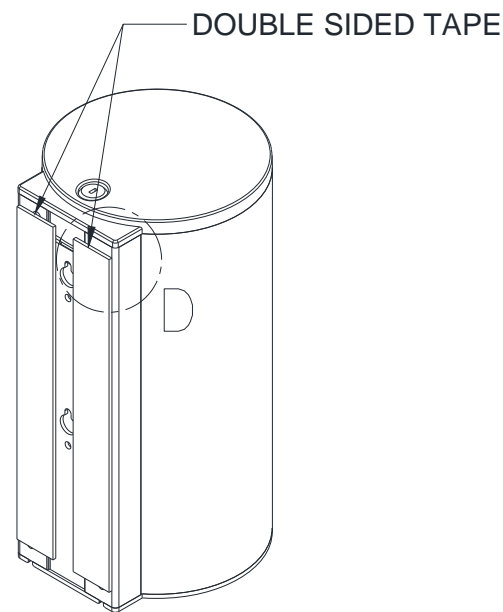
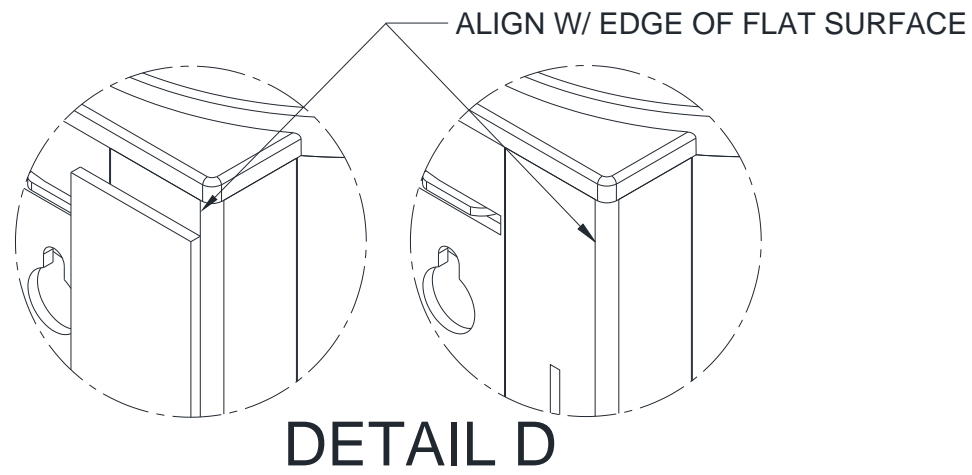


Distributed by
www.Ameraproducts.com
Phone: (800) 608-6568
Fax: (409) 840-5545
info@ameraproducts.com

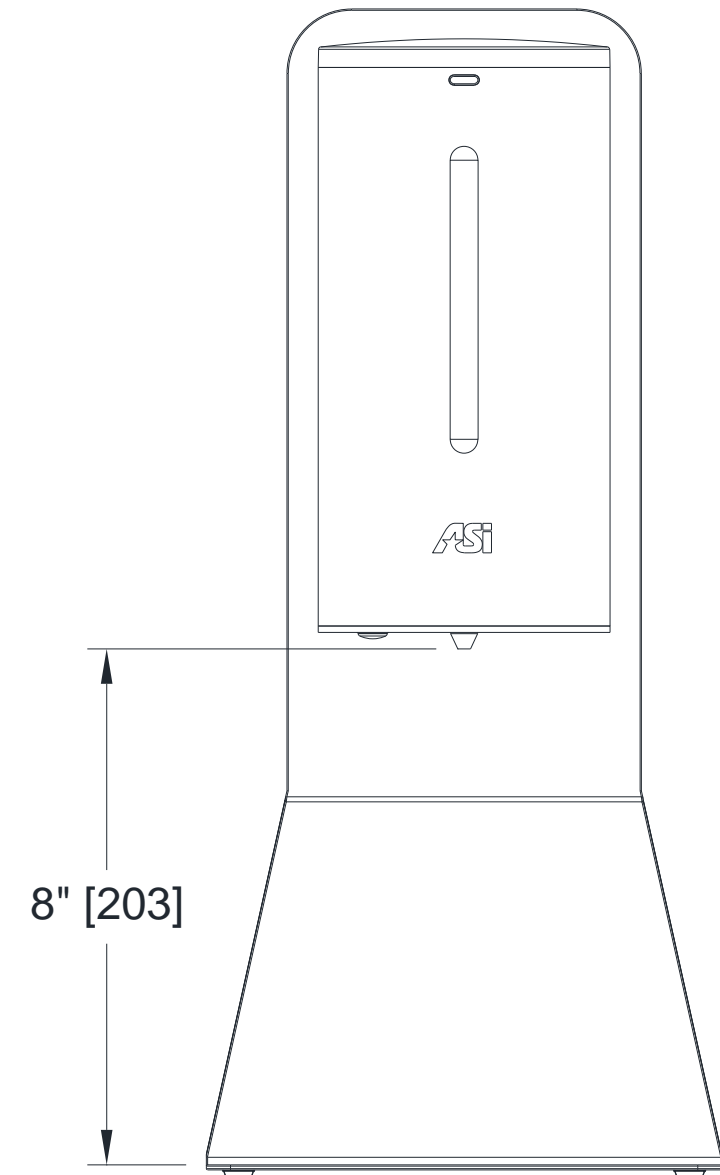


2. STEPS TO INSTALL 0360

- 2.1 Clean dispenser back with Isopropyl Alcohol. Allow to dry completely.
- 2.2 Cut the 16" double sided tape (supplied) into two (2) lengths of 8" [203] as shown on diagram.
- 2.3 Adhere tape strips per diagram with no wrinkles or air bubbles, with liners in place, press to ensure even attachment.
- 2.4 Clean HSDS mounting plate with Isopropyl Alcohol. Allow to dry completely.
- 2.5 Mark alignment guidelines on HSDS mounting plate (or use blue painters tape, by others) for dispenser outline.
- 2.6 Remove liner strips from tapes.
- 2.7 While aligning dispenser straight with marked lines press evenly and maintain pressure for 1 hour before using.



DISPENSER SUPPLIED SEPARATELY.
MODEL N° 0360 DISPENSER SHOWN FOR REF ONLY



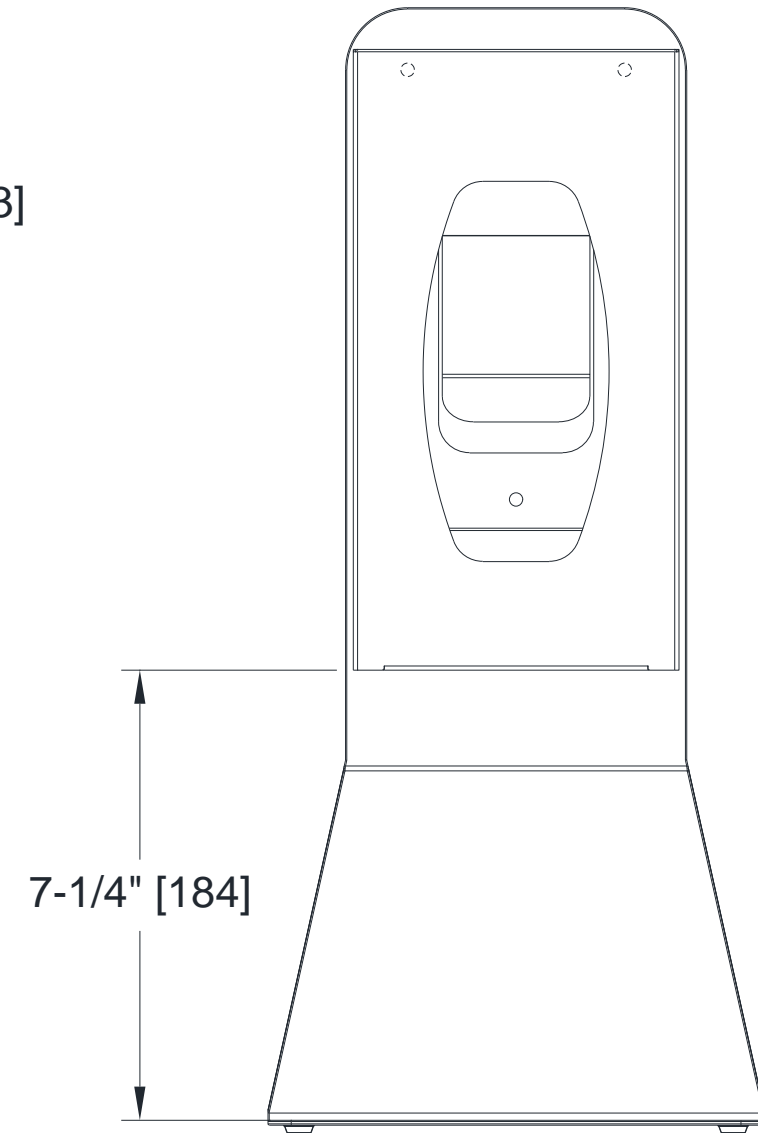
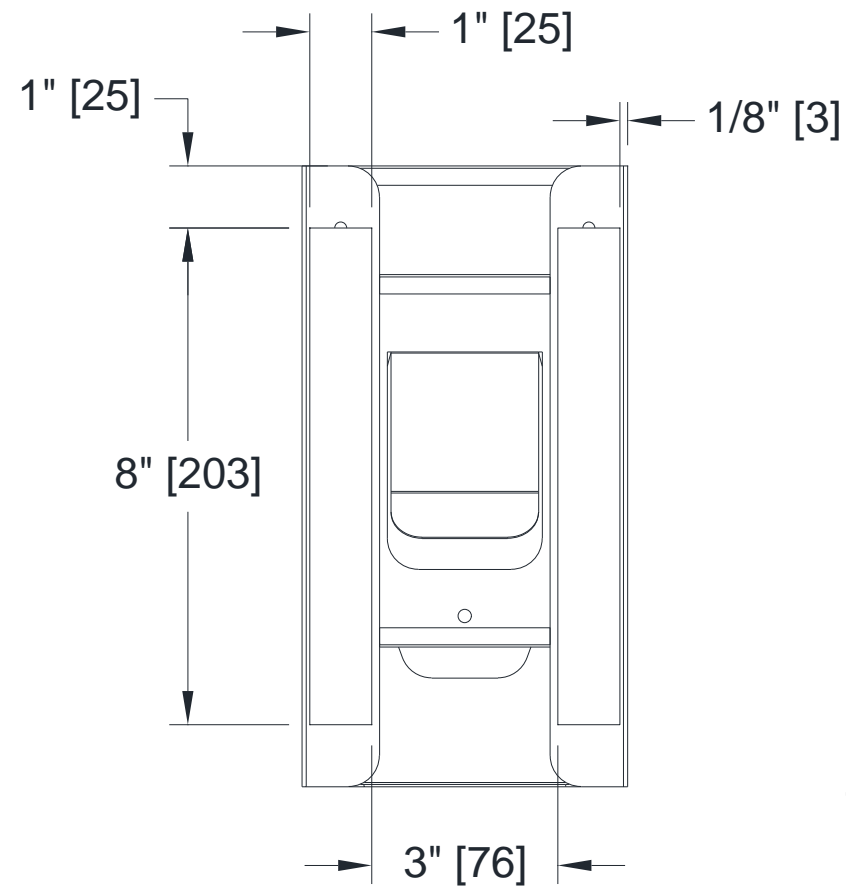
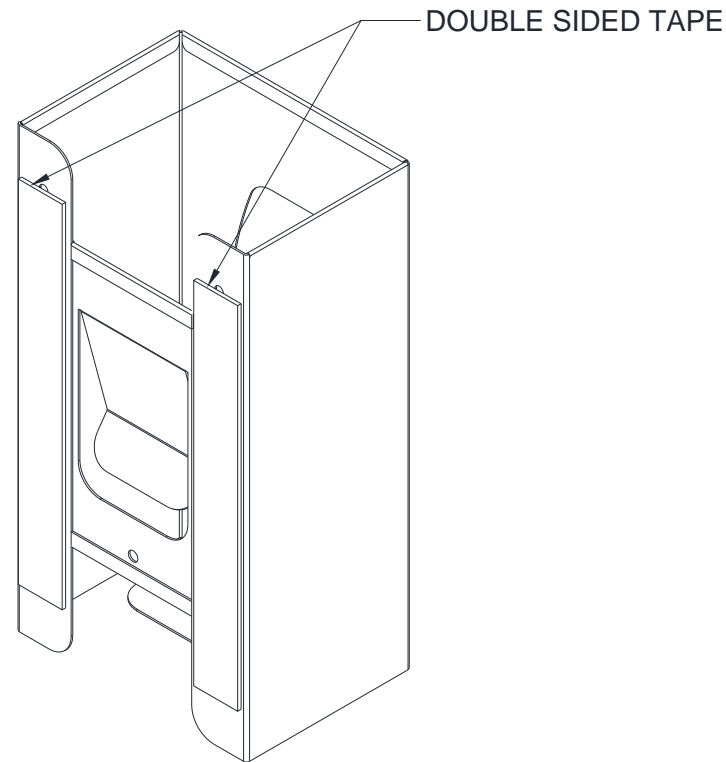
0360-SUGESTED LOCATION FOR TAPE INSTALLATION

Distributed by
www.Ameraproducts.com
Phone: (800) 608-6568
Fax: (409) 840-5545
info@ameraproducts.com

2. STEPS TO INSTALL 0501-1

- 2.1 Clean dispenser back with Isopropyl Alcohol. Allow to dry completely.
- 2.2 Cut the 16" double sided tape (supplied) into two (2) lengths of 8" [203] as shown on diagram.
- 2.3 Adhere tape strips per diagram with no wrinkles or air bubbles, with liners in place, press to ensure even attachment.
- 2.4 Clean HSDS mounting plate with Isopropyl Alcohol. Allow to dry completely.
- 2.5 Remove liner strips from tapes.
- 2.6 Aligning dispenser straight, press evenly and maintain pressure for 1 hour before using.

DISPENSER SUPPLIED SEPARATELY.
 MODEL N° 0501-1 DISPENSER SHOWN FOR REF ONLY



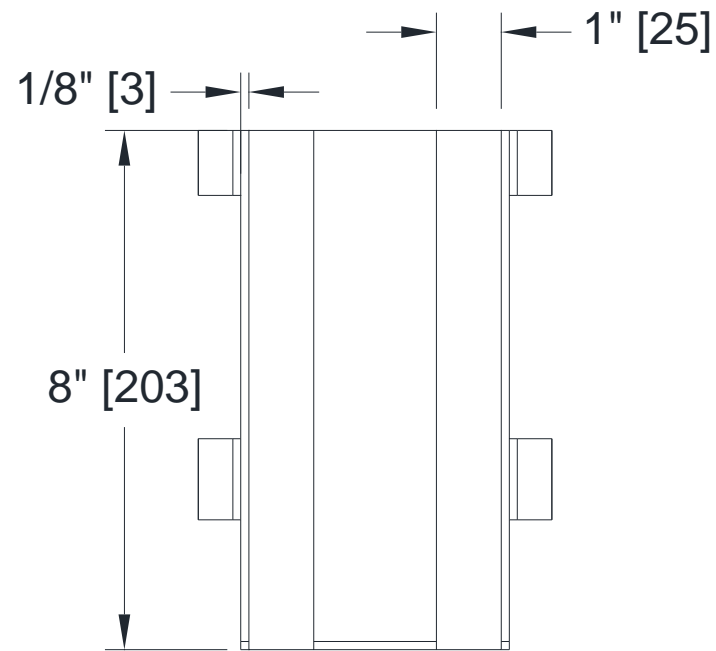
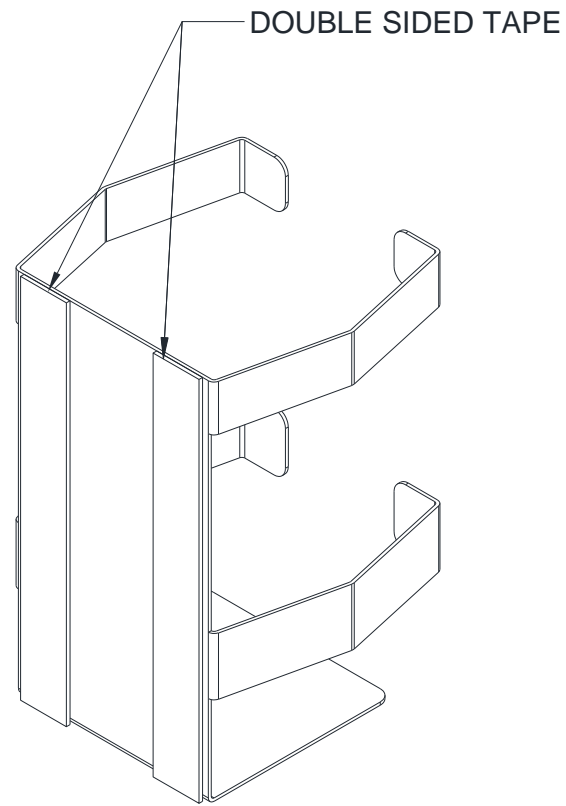
0501-1-SUGESTED LOCATION FOR TAPE INSTALLATION

Distributed by
www.Ameraproducts.com
 Phone: (800) 608-6568
 Fax: (409) 840-5545
info@ameraproducts.com

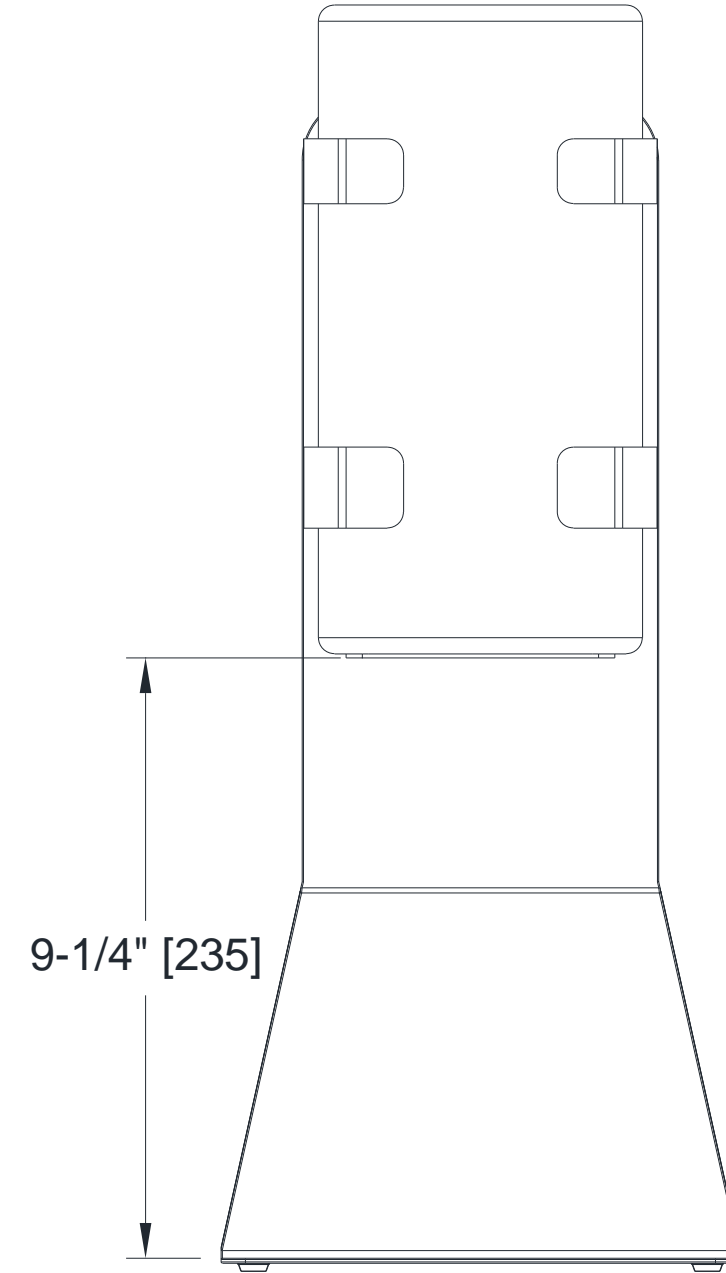


2. STEPS TO INSTALL 0502

- 2.1 Clean dispenser back with Isopropyl Alcohol. Allow to dry completely.
- 2.2 Cut the 16" double sided tape (supplied) into two (2) lengths of 8" [203] as shown on diagram.
- 2.3 Adhere tape strips per diagram with no wrinkles or air bubbles, with liners in place, press to ensure even attachment.
- 2.4 Clean HSDS mounting plate with Isopropyl Alcohol. Allow to dry completely.
- 2.5 Remove liner strips from tapes.
- 2.6 Aligning dispenser straight, press evenly and maintain pressure for 1 hour before using.



DISPENSER SUPPLIED SEPARATELY.
MODEL N° 0502 DISPENSER SHOWN FOR REF ONLY



0502-SUGGESTED LOCATION FOR TAPE INSTALLATION

Distributed by
www.Ameraproducts.com
 Phone: (800) 608-6568
 Fax: (409) 840-5545
info@ameraproducts.com

