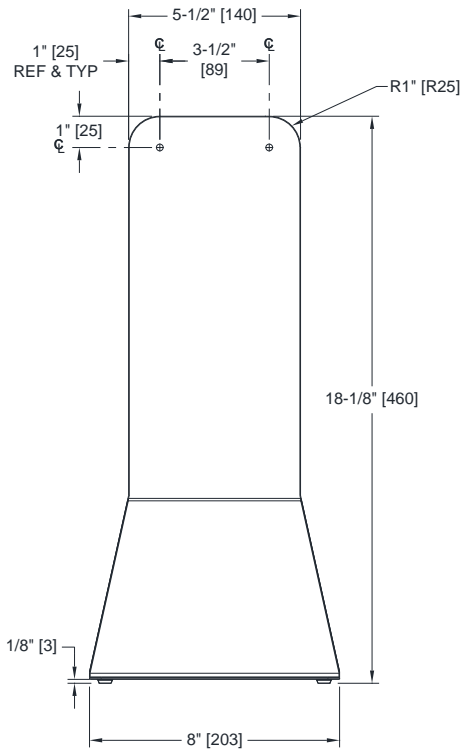




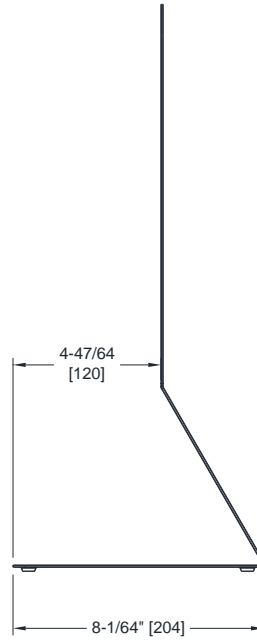
Distributed by
www.Ameraproducts.com
Phone: (800) 608-6568
Fax: (409) 840-5545
info@ameraproducts.com

MODEL №:	DS-0400
ISSUED:	21 JUL 2020
REVISED:	

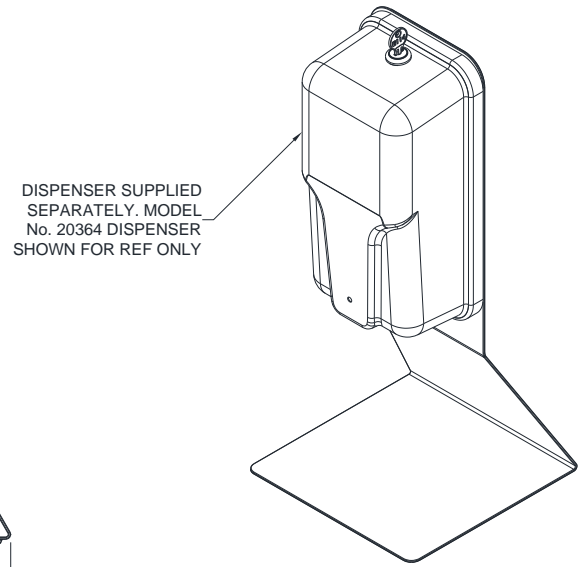
HAND SANITIZER DISPENSER DESK STAND



FRONT VIEW



SIDE VIEW



ISOMETRIC

NOTE:
ALL DIM'S INCH [MM]
ILLUSTRATION FOR REF ONLY AND NTS

SPECIFICATION

Hand Sanitizer Dispenser Desk Stand shall be stainless steel type 304 alloy 18-8 and shall be free standing to enable placement by Facility Manager/Owner in any convenient location desired to serve occupant/visitor traffic. Base has heavy duty polyurethane feet that prevent sliding. Universal mounting plate shall have patterns with mounting holes to accommodate dispenser units Model №'s 20364 and 20365 and flat surface to allow tape mounting of units Model №'s 0501-1, 0502, 0360, 0361 and 0362 (purchased separately) on same plate, one at a time, presented with operating features below 2010 ADA Accessibility Standards max reach range. Stand base shall be 14 gage [3] with all edges rounded for user safety.

Hand Sanitizer Dispenser Desk Stand shall be Model № DS-0400 as manufactured by American Specialties, Inc., 441 Saw Mill River Road, Yonkers, NY 10701-4913

ASSEMBLY & INSTALLATION

Hardware is provided to assemble any one of the listed dispensers to the mounting plate. When assembly is completed no fasteners are visible on exposed dispenser surfaces. Unit should be placed in location to maximize access by pedestrian traffic and not interfere with any accessible route clearances.

OPERATION

Sanitizer Dispenser Stand provides stable, tip & skid resistant location for sanitizer dispenser convenient to visitor and facility occupant traffic flow. Locked dispenser housing (purchased separately) prevents unauthorized access or removal.