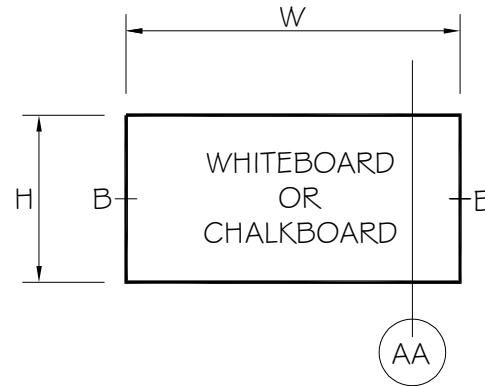


ELEVATION:



NOTE:
 FOR BOARDS UP TO 8' 0" WIDE 3 CLIPS FOR BOTH TOP + BOTTOM WILL BE PROVIDED, THEY MUST BE FASTENED INTO DRYWALL STUDS OR INTO CONCRETE USING PLASTIC PLUGS.
 FOR BOARDS 8' 0" TO 12' 0" THESE REQUIRE 4 L CLIPS FOR BOTH TOP + BOTTOM.

ALUMINUM TRIM:
 SERIES 9800 "PRE-FRAMED". FINISH TO BE CLEAR ANODIZED.

DESCRIPTION:
 9800 SERIES "PRE-FRAMED" WITH REGULAR TRIM 4 SIDES.

PRODUCT CODE:

98	01	01	YXX	XXX
SERIES	BOARD	TRIM	SIZE	COLOR

SIZE CODE:

203 - 2'(H) X 3'(W)	504 - 5'(H) X 4'(W)
304 - 3'(H) X 4'(W)	506 - 5'(H) X 6'(W)
404 - 4'(H) X 4'(W)	508 - 5'(H) X 8'(W)
406 - 4'(H) X 6'(W)	510 - 5'(H) X 10'(W)
408 - 4'(H) X 8'(W)	512 - 5'(H) X 12'(W)
410 - 4'(H) X 10'(W)	
412 - 4'(H) X 12'(W)	

COLOR CODE:

29 - WHITE HIGH GLOSS
29L - WHITE LOW GLOSS
11 - CHALK BLACK
06 - CHALK GREEN

PRODUCT CODES
 48 HOURS SHIP PROGRAM

98010140629.
 98010140829.

NOTES AND/OR APPROVAL



2210 Dunwin Drive
 Mississauga, Ontario L5L 1C7

PROJECT NAME & LOCATION:

ARCHITECT:

CONTRACTOR:

F:\ACADR\14\FILENAME

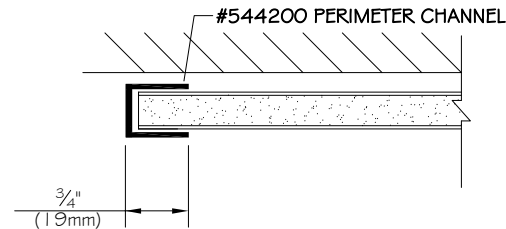
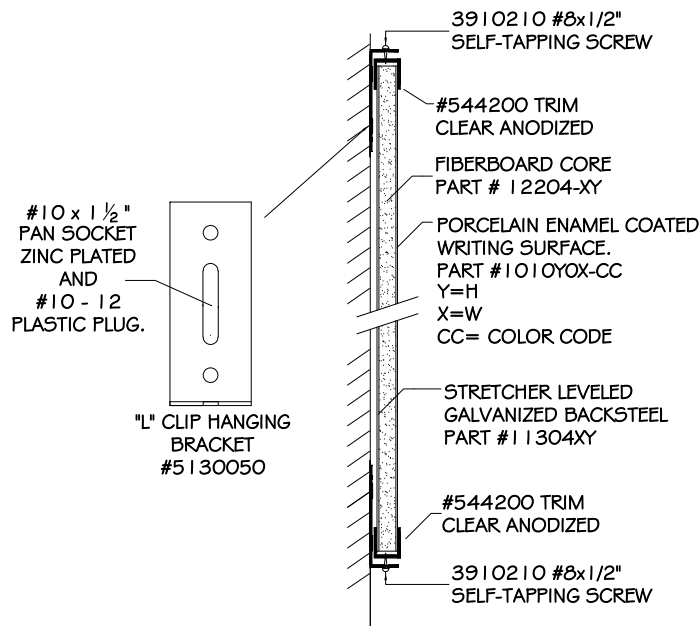
PAGE NO.
 1 OF 1

DRAWN BY:
 J. UGARTE

DATE:
 07 NOVEMBER 2019

SECTIONS:

SECTION AA



ASI #544200 PERIMETER TRIM

