



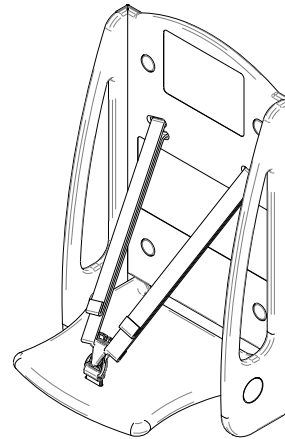
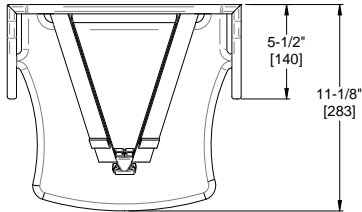
AMERICAN SPECIALTIES, INC.
441 Saw Mill River Road, NY 10701

MODEL №: 9020

ISSUED: 11/13

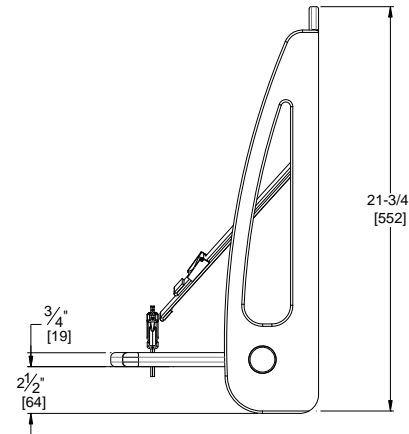
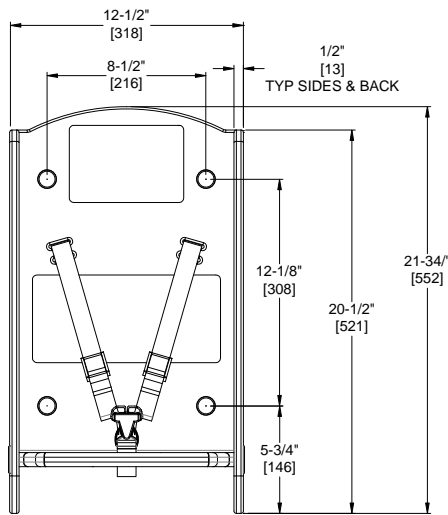
REVISED: 21 MAR 2014

TODDLER SAFETY SEAT (PAGE 1 OF 2)



Distributed by
www.Ameraproducts.com
Phone: (800) 608-6568
Fax: (409) 840-5545
info@ameraproducts.com

NOTE: DIM'S
INCH [MM]



SPECIFICATION

Toddler Safety Seat shall be durable, non-porous, FDA approved high-density polyethylene. Unit shall comply with 2010 ADA Accessibility Standards. Unit shall support a static load of 50 lbs (22.7 kg). No parts of the operating mechanism shall be accessible when unit is open or closed to provide a tamper-resistant and pinch proof user environment. Unit shall have a three-point adjustable child protection safety belt and the shoulder harness straps shall be individually attachable. Mounting fasteners shall be concealed after installation using black recess plug-covers (supplied). Unit shall be light grey in color and shall be recyclable at the end of usable life. Unit shall provide ANSI Z535 compliant graphics and instructions in four languages on interior back. Unit shall be warranted for five (5) years against defects in material or workmanship.

Toddler Safety Seat shall be Model № 9020 as manufactured by American Specialties, Inc., 441 Saw Mill River Road, Yonkers, NY 10701-4913

INSTALLATION

Surface mount the unit with proper anchoring on all suitable wall constructions using hardware (by others) through recessed mounting holes provided. Installation instruction sheet is provided with each unit. To ensure proper installation and compliance with building codes it is recommended that a qualified person install the unit. Wall reinforcement must be suitable to sustain transfer of maximum unit loading. Mounting hole plug covers are supplied to conceal fasteners after installation. For compliance with 2010 ADA Accessibility Standards install the unit so that the top of seat is 15" (381) maximum above finished floor (MAX AFF).



AMERICAN SPECIALTIES, INC.
441 Saw Mill River Road, NY 10701

MODEL №: 9020

ISSUED: 11/13

REVISED: 21 MAR 2014

TODDLER SAFETY SEAT (PAGE 2 OF 2)



Installation Steps

See the Installation Instructions provided with the unit prior to starting installation.

1. Remove the unit from the shipping container and check for any freight damage. Identify the location for installing the Toddler Safety Seat. Hold the unit in place and make sure there is adequate clearance for the seat to open.
2. The unit has four (4) mounting holes provided in the back. Mark the four (4) mounting holes locations on the mounting surface consistent with the position determined in step 1. Drill appropriately sized pilot and/or clearance holes for hardware to be used.
3. Install unit on mounting surface using hardware appropriate for the site conditions (provided by others).
4. Install mounting hole plug covers (supplied) to conceal fasteners after installation.

OPERATION

Toddler Safety Seat is securely mounted (by others) on the wall of a dressing room or partition of a restroom stall. Open unit folds to 5-1/2" (140) when seat is manually lifted to close for storage, and requires less than 1.9 ft² (1765 cm²) of wall space either open or closed. High-density polyethylene is easy to clean and resists fungal and bacterial growth. Toddler Safety Seat can support static loads of 50 lbs (22.7 kg). Unit is operable with one hand with less than 5 lbs (22.2N) of force while not requiring any tight grasping, pinching, or twisting of the wrist. Safety harness is easily adjustable by user for any baby size and latch securely resists opening until released by opposing finger pressure by adult caretaker/parent. Each side shoulder strap is independently attached to the belt clasp to avail user of simple and secure engagement without having to lift a loop strap over the baby's head. User should always attend baby at all times.